



aluplast GmbH (Head Office)

uPVC window profile systems
Auf der Breit 2
DE - 76227 Karlsruhe

fon: +49 721 47171-0
fax: +49 721 47171-999
info.de@aluplast.net
www.aluplast.net

aluplast India Pvt. Ltd.

uPVC window profile systems
B-26 Second Floor
Lajpat Nagar – III
IN - 110024 New Delhi

fon: +91 11 29830646
fax: +91 11 29830647
info@aluplastindia.com
www.aluplastindia.com

aluplast Iranian L.L.C.

uPVC window profile systems
Unit # 16 & 17 - 4th Floor
No.56, M. Golnabi St
South of Hosseinieh Ershad.Dr.Ali
Shariati Ave.
IR - Teheran

fon: +98 21 22894282
fax: +98 21 22866281
amir.bahrami@aluplast.net
www.aluplast.net

aluplast UK

uPVC window profile systems
Unit 1 Unit 1 Tewkesbury Industrial Estate
Green Lane | Tewkesbury
UK - Glos GL20 8HD

fon: +44 1684 273401
fax: +44 1684 273031
info@aluplast.co.uk
www.aluplast.net

Plans of Profiles



aluplast® is one of the leading system providers of PVC windows, main entrance doors, roller shutters and controlled domestic ventilation systems. The family-owned aluplast GmbH was founded in 1982 by Manfred J. Seitz.

Today, the **aluplast®** group of companies has 10 production sites worldwide and customer in more than 80 countries. With its wide product portfolio, the company offers almost any possible window construction and variation. Its success is based above all on the company's market proximity that always results in pioneering innovations.



Germany
KARLSRUHE (HQ)
ETTLLINGEN



PENNSYLVANIA, USA

TEXAS, USA

MEXICO

RUSSIA

UKRAINE

POLAND

AUSTRIA

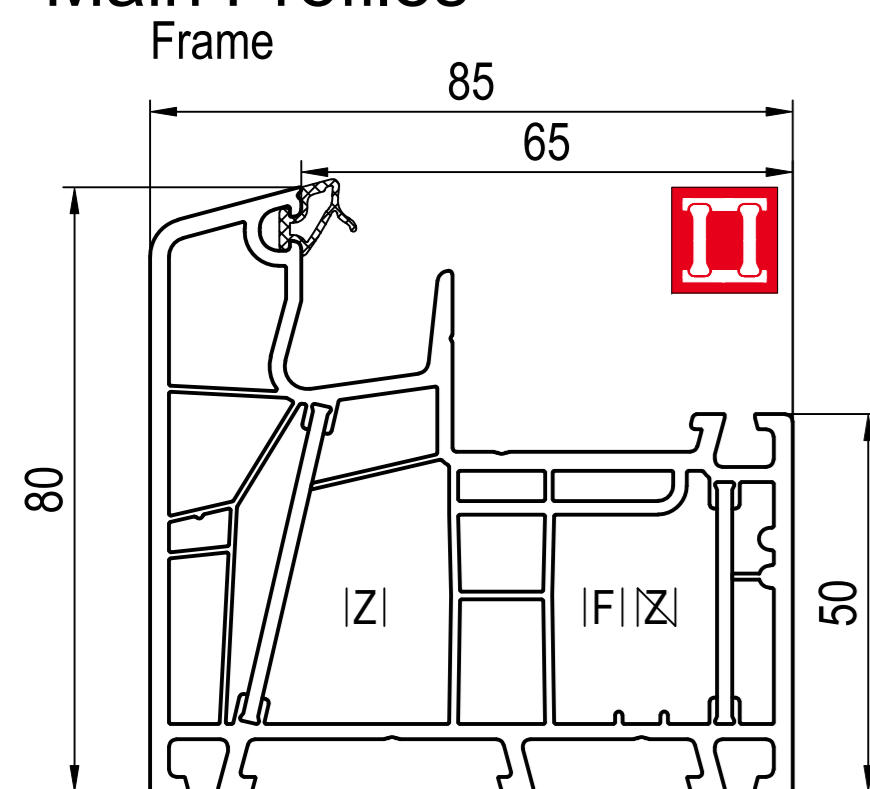
INDIA

Good together. Strong together.

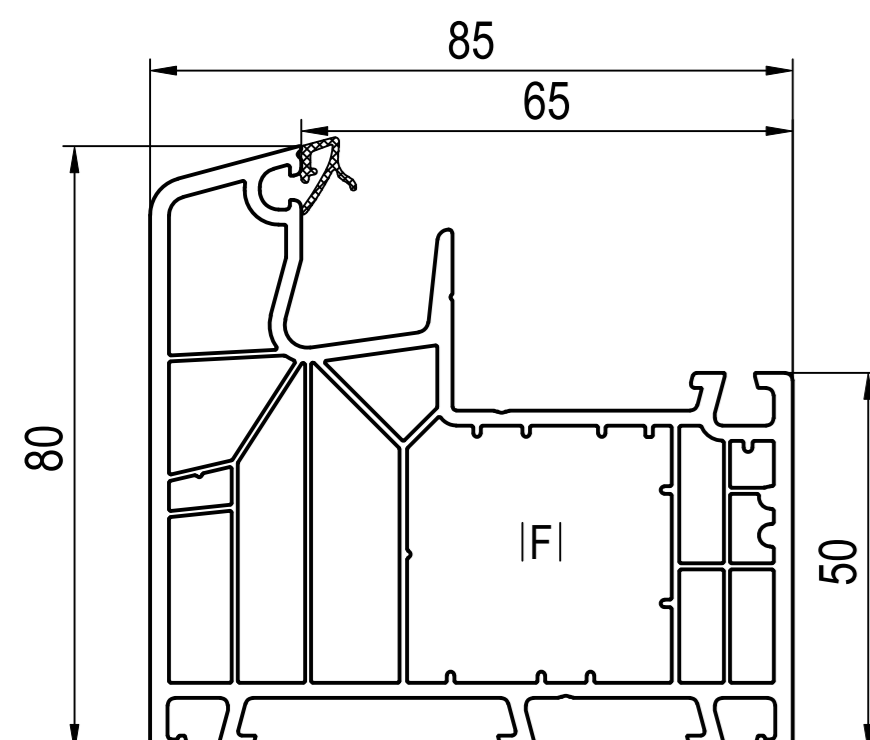
At home all over the world

- Albania
- Algeria
- Argentina
- Armenia
- Australia
- Belarus
- Belgium
- Bhutan
- Bosnia - Herzegovina
- Brazil
- Bulgaria
- Cambodia
- Cameroon
- Canada
- Chile
- China
- Colombia
- Costa Rica
- Croatia
- Cyprus
- Czech Republic
- Denmark
- Ecuador
- Egypt
- France
- Georgia
- Germany
- Greece
- Great Britain
- Guatemala
- Honduras
- Hungary
- Indonesia
- Iraq
- Ireland
- Italy
- Kazakhstan
- Kyrgyzstan
- Korea
- Kosovo
- Latvia
- Lebanon
- Lithuania
- Malaysia
- Malta
- Morocco
- Macedonia
- Moldova
- Mongolia
- Montenegro
- New Zealand
- Nicaragua
- Netherlands
- Nigeria
- Oman
- Paraguay
- Philippines
- Qatar
- Romania
- Saudi Arabia
- Sweden
- Switzerland
- Serbia
- Slovakia
- Slovenia
- Spain
- Sri Lanka
- South Africa
- Thailand
- Tunisia
- Turkey
- United Arab Emirates
- Uruguay
- Uzbekistan
- Vietnam

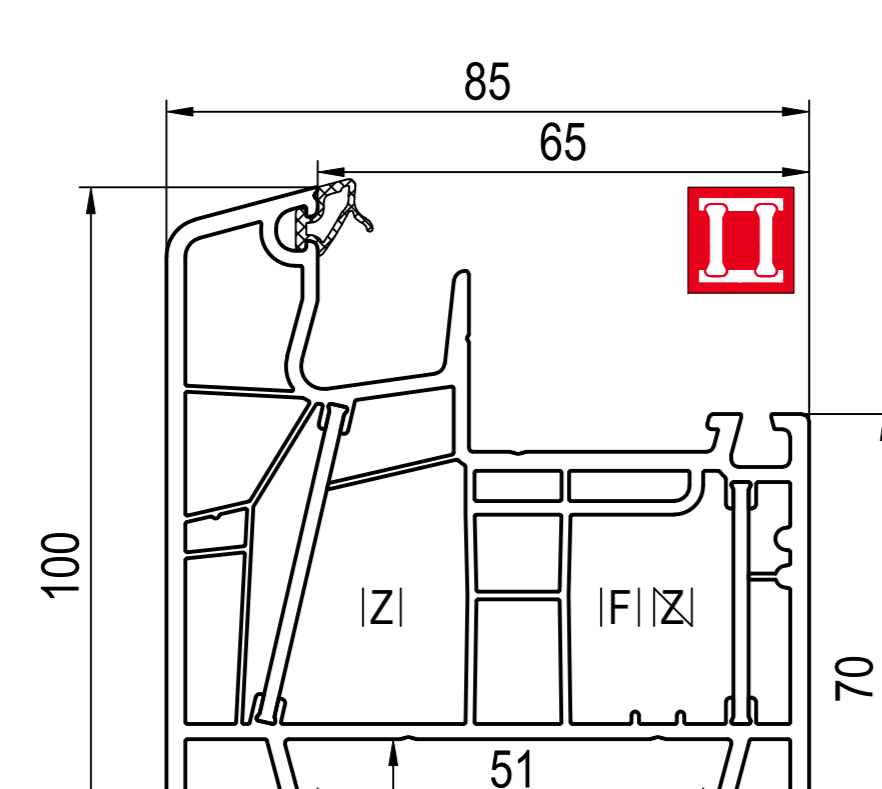
Main Profiles



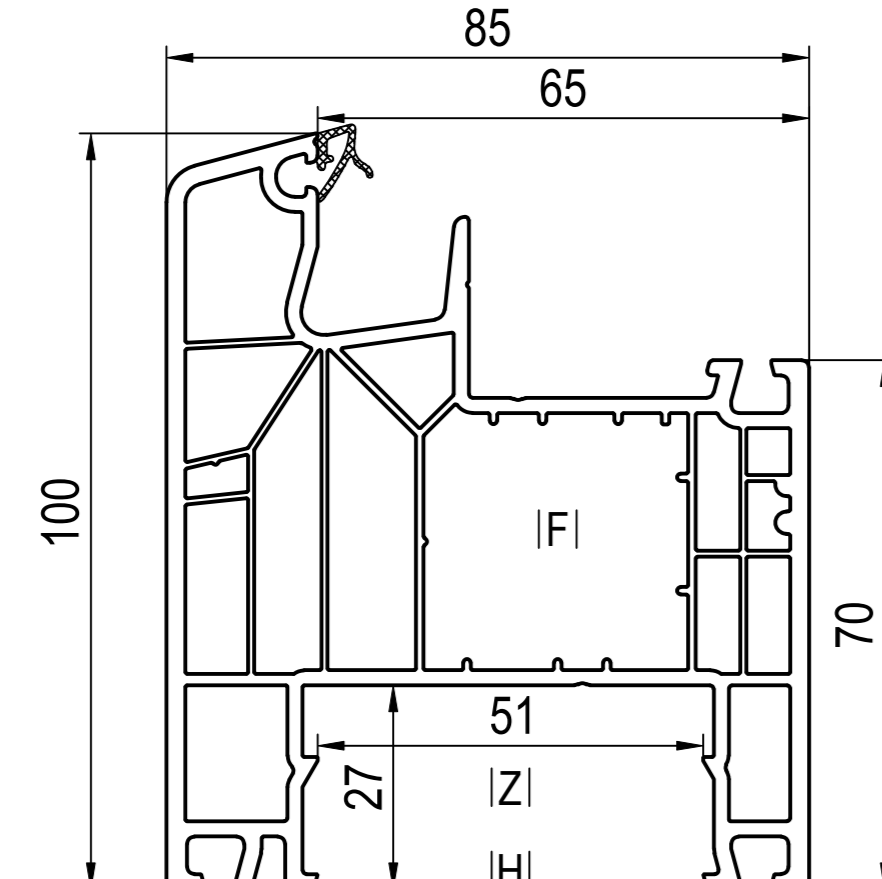
■ **080x05 (CL)**
AI 680016, 680321, 650321
FI 229117, 229119
PI 289304, 289313
QI 287301, 287303
UI 249058, 269060
VI 686471 + IXI 486071
ZI 680290 IZI 680291



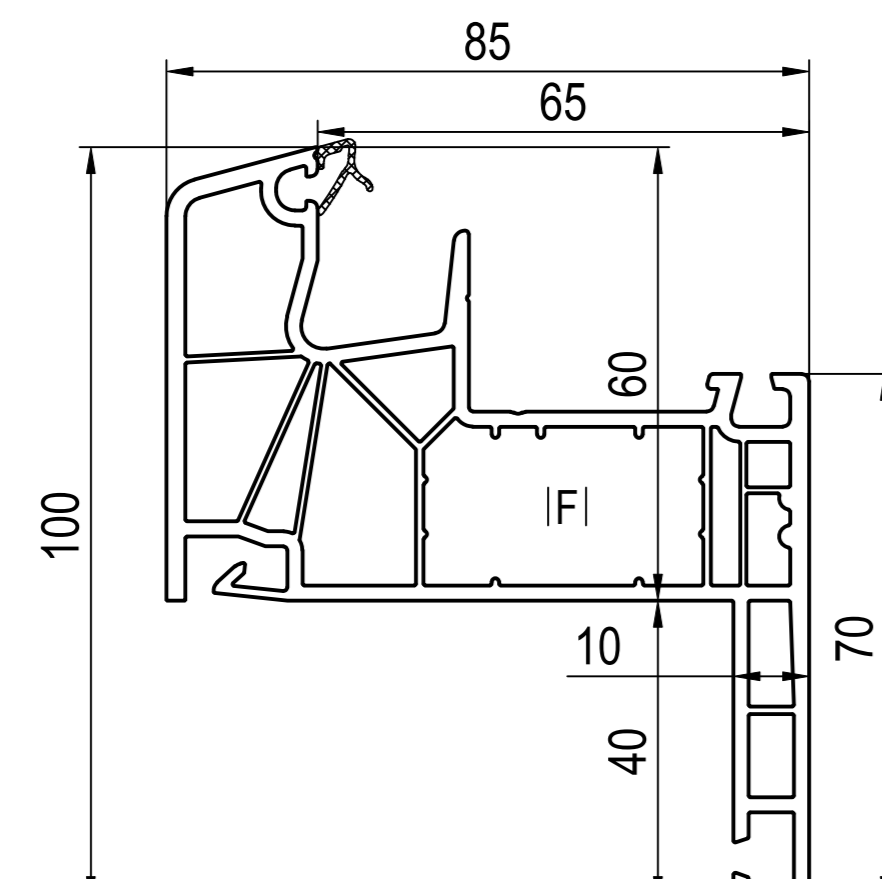
■ **180x05000098 (CL)**
AI 680016, 680321, 650321
FI 249014, 249015, 249016, 259105, 259106, 259107
PI 289304, 289313
QI 287301, 287303
UI 249058, 269060
VI 686471 + IXI 486071



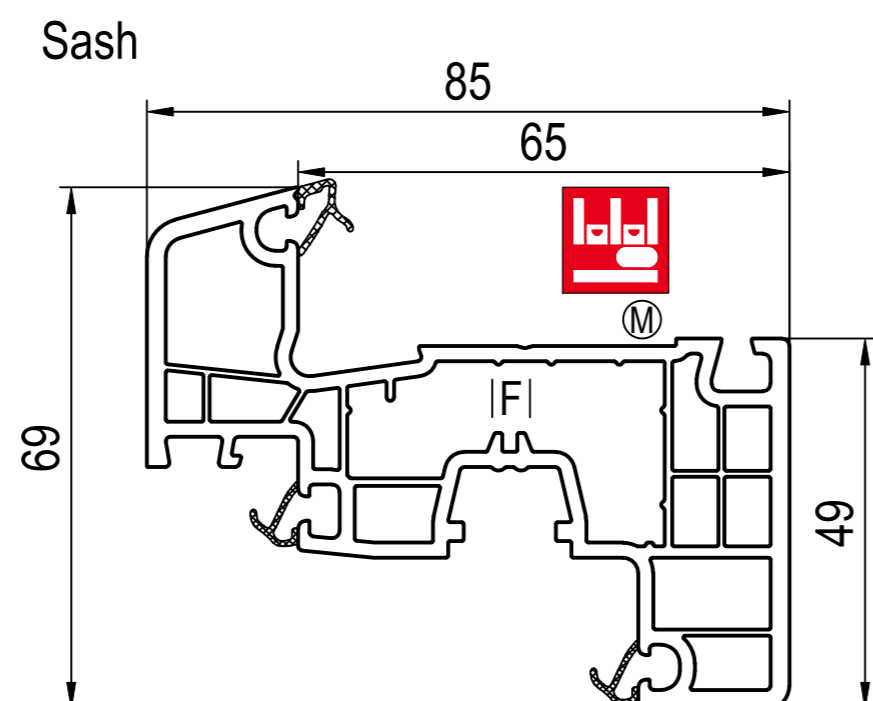
■ **080x04 (CL)**
AI 680016, 680321, 650321
FI 229117, 229119
HI 685058
PI 289304, 289314
QI 287301, 287303
UI 249058, 269060
VI 686474 + IXI 486071
ZI 680290 IZI 680289



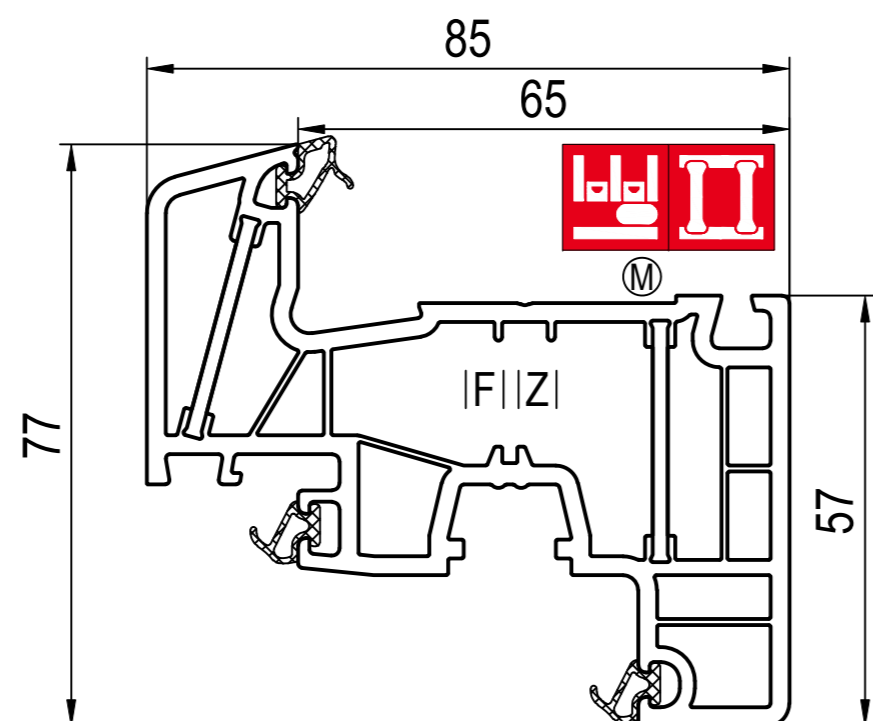
■ **180x04000098 (CL)**
AI 680016, 680321, 650321
FI 249014, 249015, 249016, 259105, 259106, 259107
HI 685058
PI 289304, 289314
QI 287301, 287303
UI 249058, 269060
VI 686474 + IXI 486071
ZI 680289



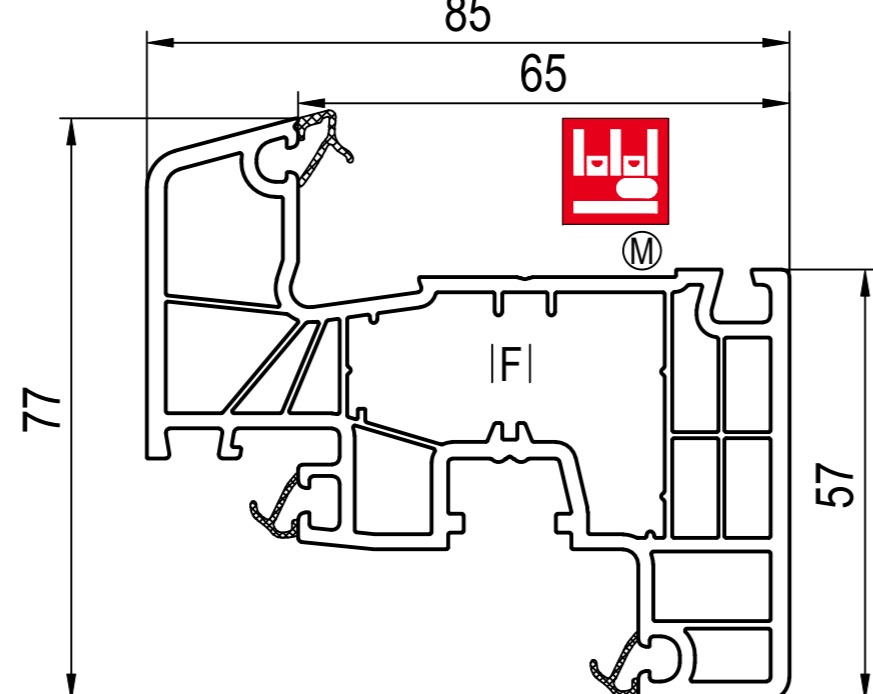
■ **180x15 (CL)**
AI 680016, 680321, 650321
FI 229037
PI 289304
QI 287301, 287303



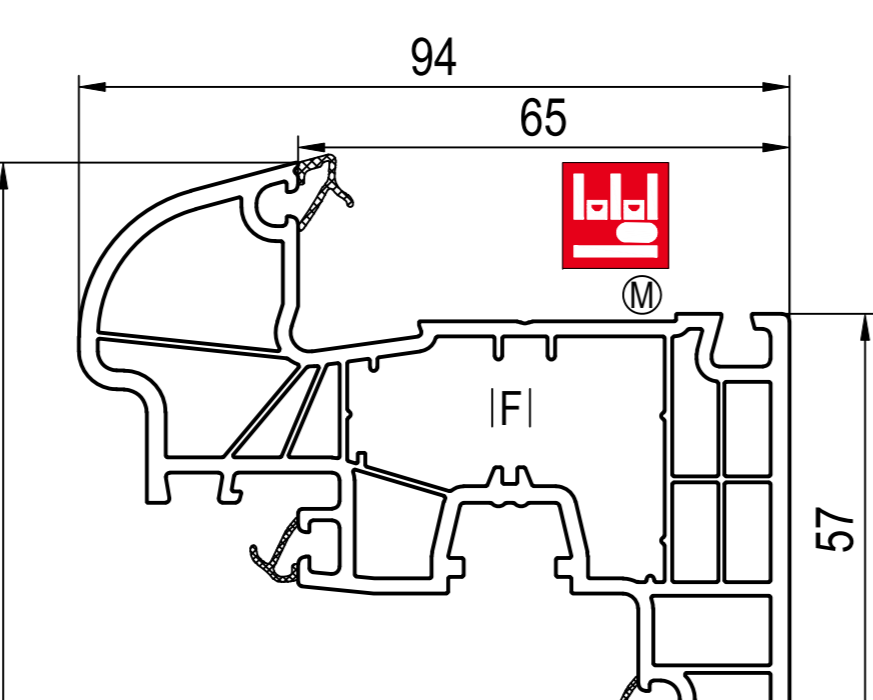
■ **180x24 (CL)**
AI 650250, 650252, 655251, 680250, 685251 or M JI
FI 259024, 259028, 289024, 289028
M JI 642261, 642262, 642263, 646265, 646266
PI 289424



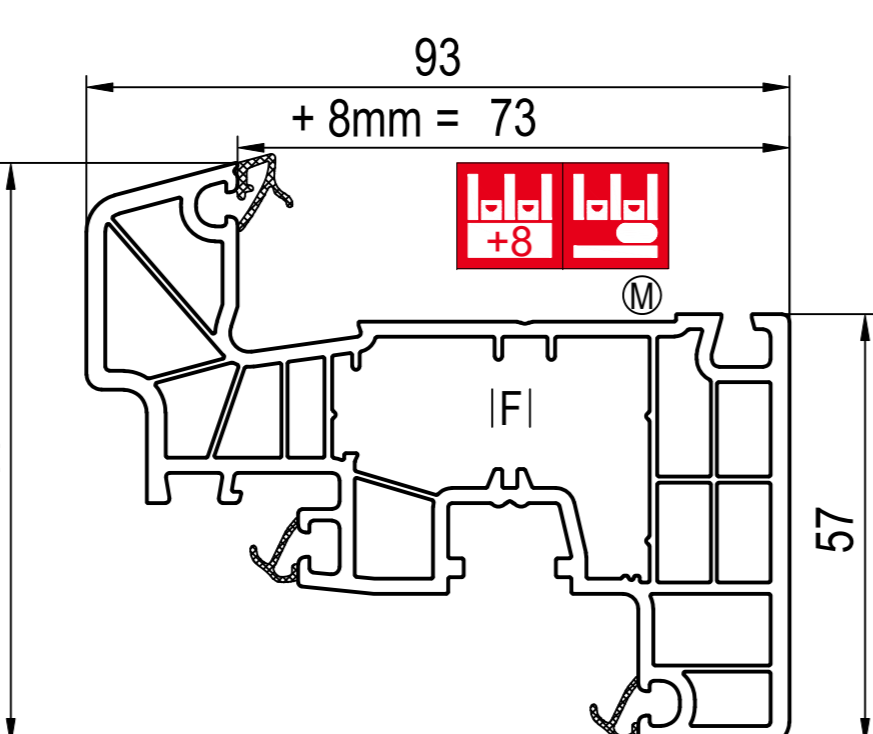
■ **080x20 (CL) ->080x89**
AI 650250, 650252, 655251, 680250, 685251 or M JI
FI 259020, 259021, 259026, 289021
M JI 642261, 642262, 642263, 646265, 646266
PI 289420
ZI 650295



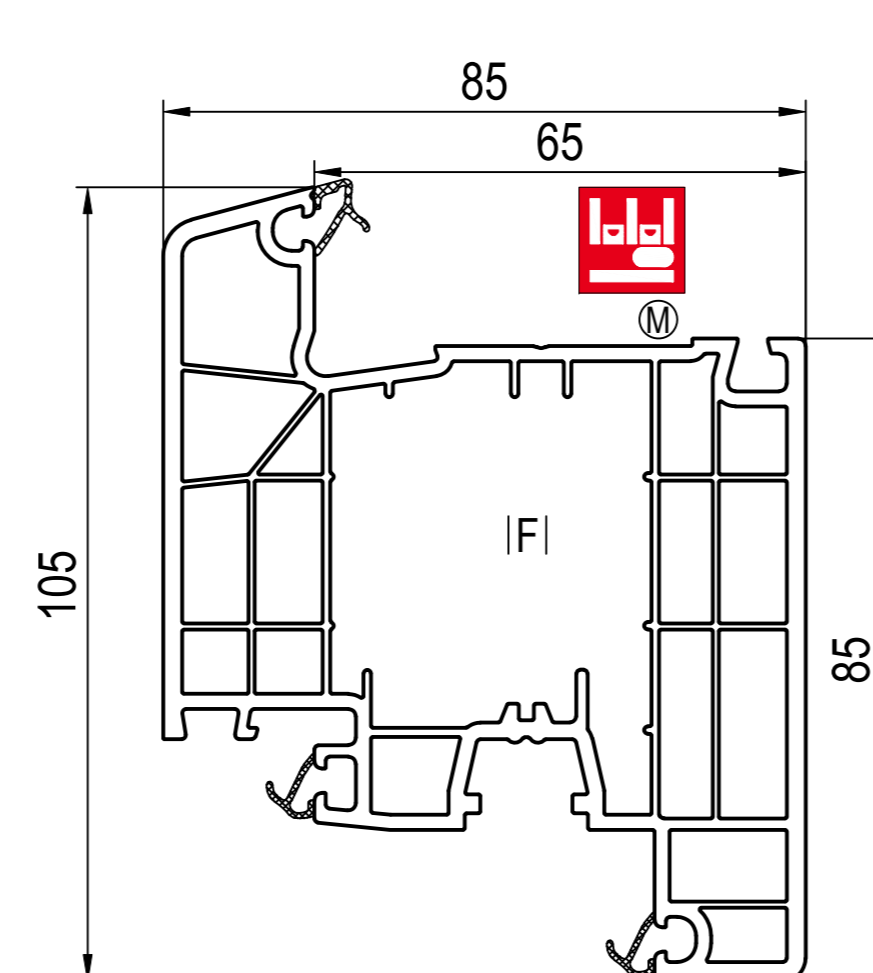
■ **180x20 (CL) ->080x89**
AI 650250, 650252, 655251, 680250, 685251 or M JI
FI 259020, 259021, 259026, 289021
M JI 642261, 642262, 642263, 646265, 646266
PI 289420



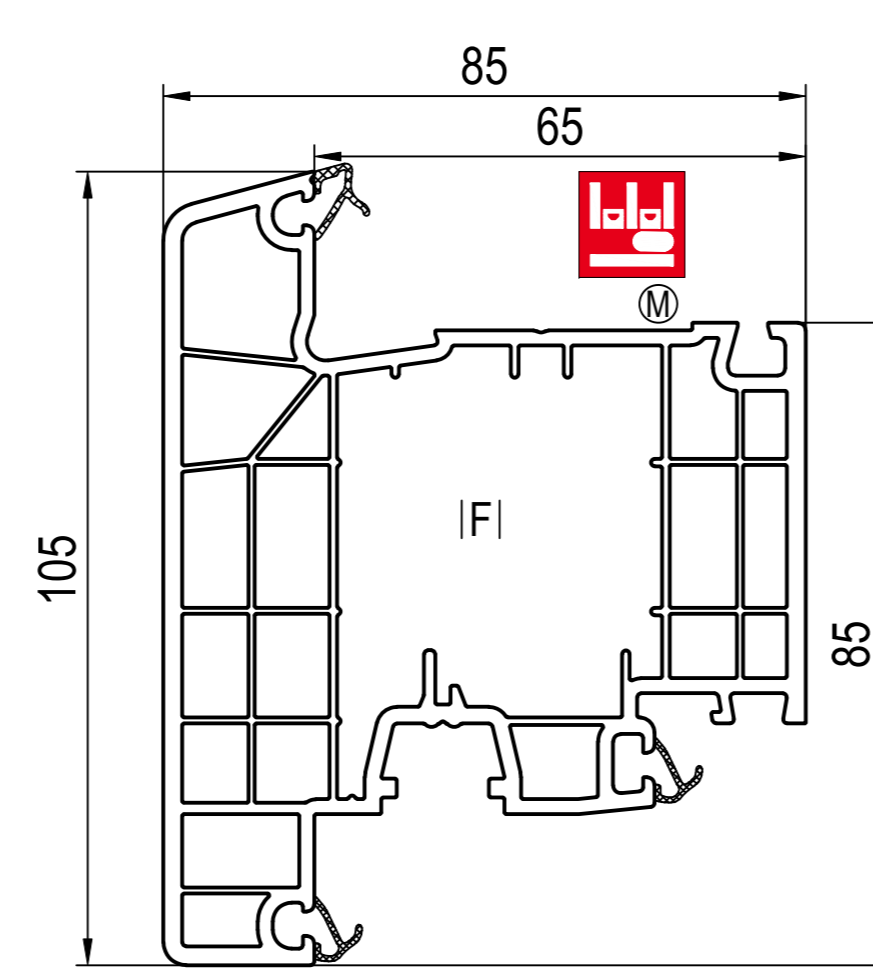
■ **180x27 (RL)**
AI 650250, 650252, 655251, 680250, 685251 or M JI
FI 259020, 259021, 259026, 289021
M JI 642261, 642262, 642263, 646265, 646266



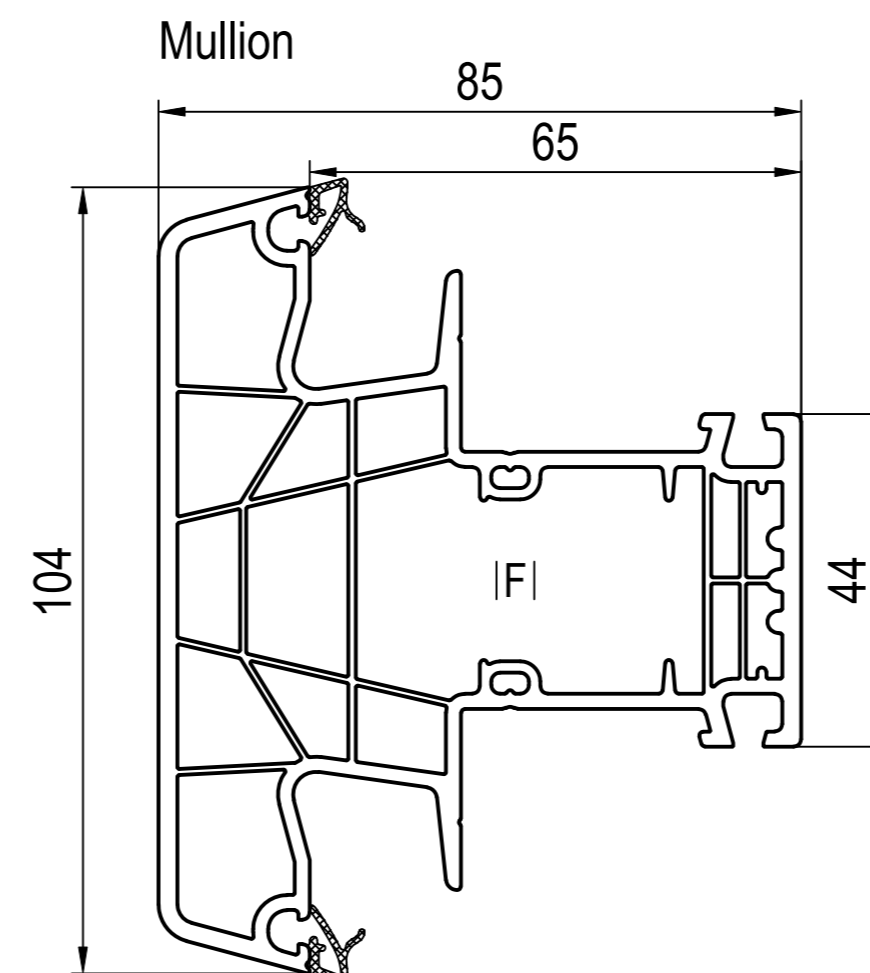
■ **180x26 (CL) ->180x69**
AI 650250, 650252, 655251, 680250, 685251 or M JI
FI 259020, 259021, 259026, 289021
M JI 642261, 642262, 642263, 646265, 646266
PI 289326



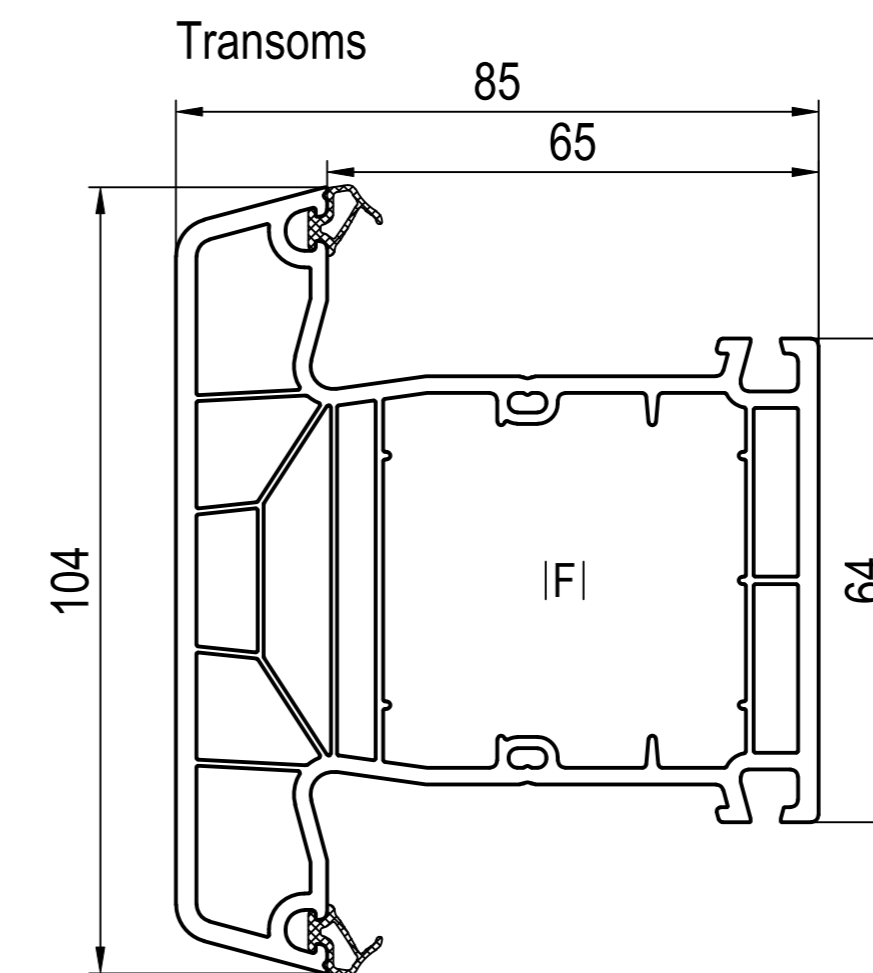
■ **180x30 (CL)**
AI 650250, 650252, 655251, 680250, 685251 or M JI
FI 229114, 229115, 259031
M JI 642261, 642262, 642263, 646265, 646266
PI 289430



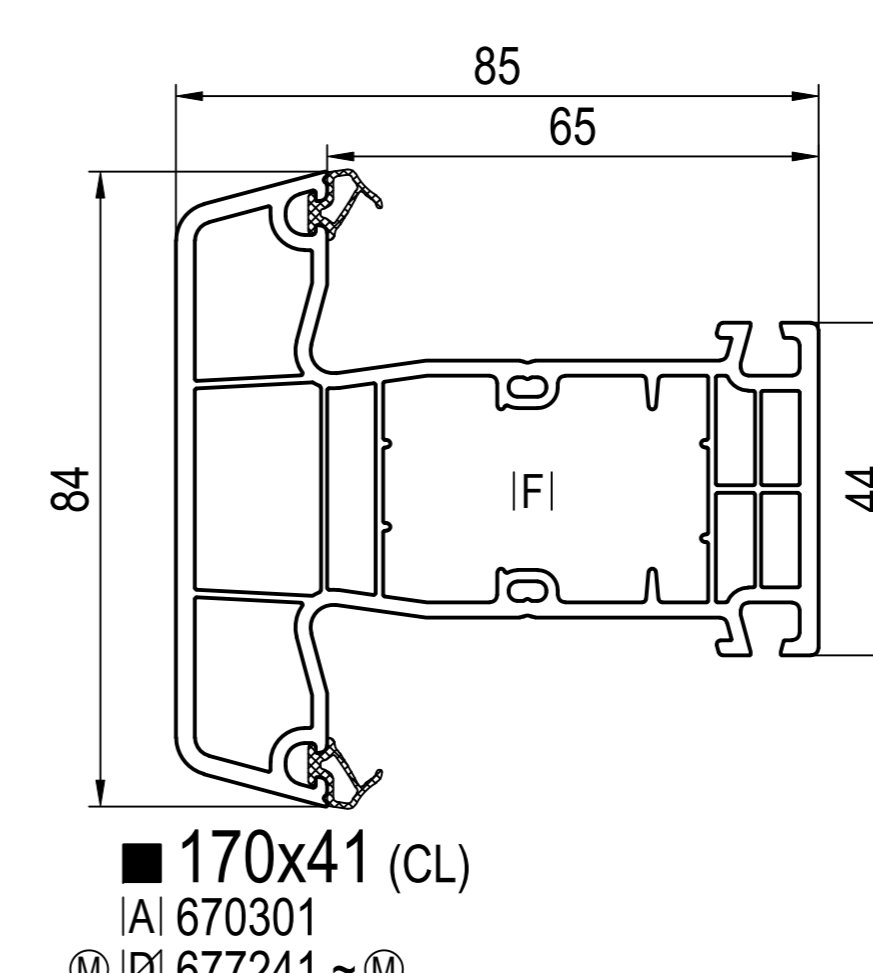
■ **180x31 (CL)**
AI 650250, 650252, 655251, 680250, 685251 or M JI
FI 229114, 229115, 259031
M JI 642261, 642262, 642263, 646265, 646266



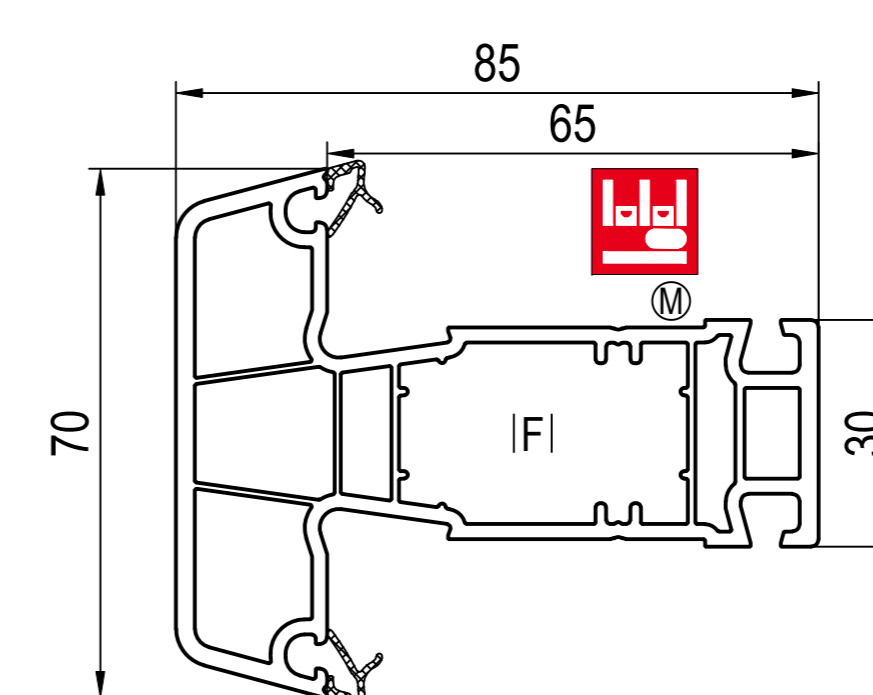
■ **180x44 (CL)**
AI 680016, 680321, 650321
DI 687131 DI 687102 ~180x0x ...
DI 640046 ~ universal
XI 659032, 659033 bl
XI 650032, 650033 wh
FI 229102, 229103
PI 289343
UI 249058, 269060
WI 686473



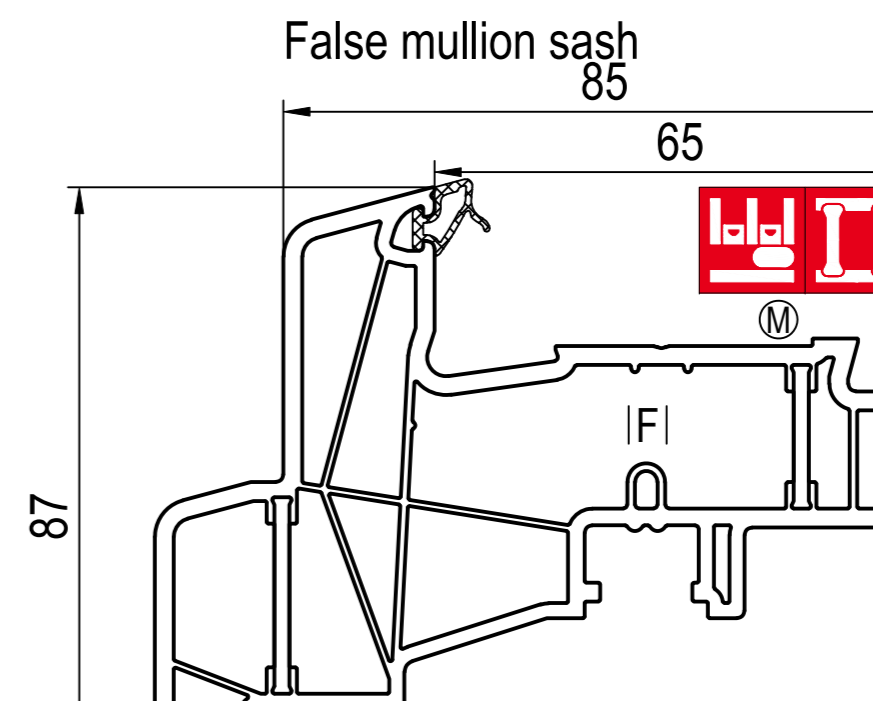
■ **170x44 (CL)**
AI 670301
DI 677244 ~ M ...
DI 677145, 677146 ~170x4x ...
DI 640046 ~ universal
XI 650032, 650033 wh
FI 229102, 229103
PI 289343



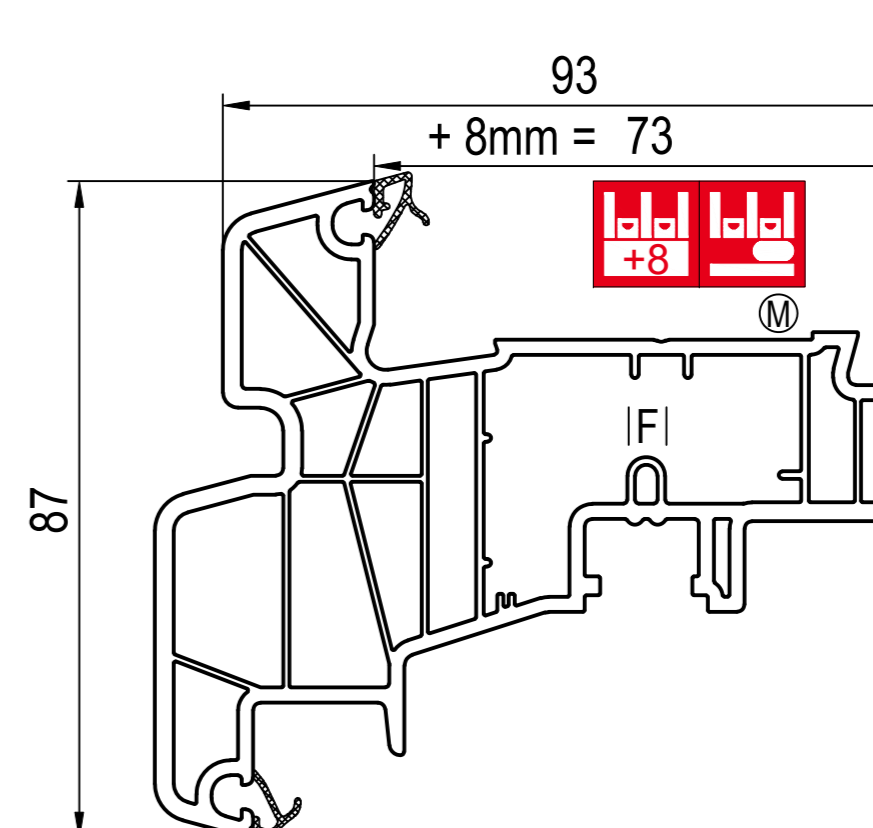
■ **170x41 (CL)**
AI 670301
DI 677241 ~ M ...
DI 677101, 679141 ~170x4x ...
DI 620046, 640046 ~ universal
FI 259043, 259044
PI 289341



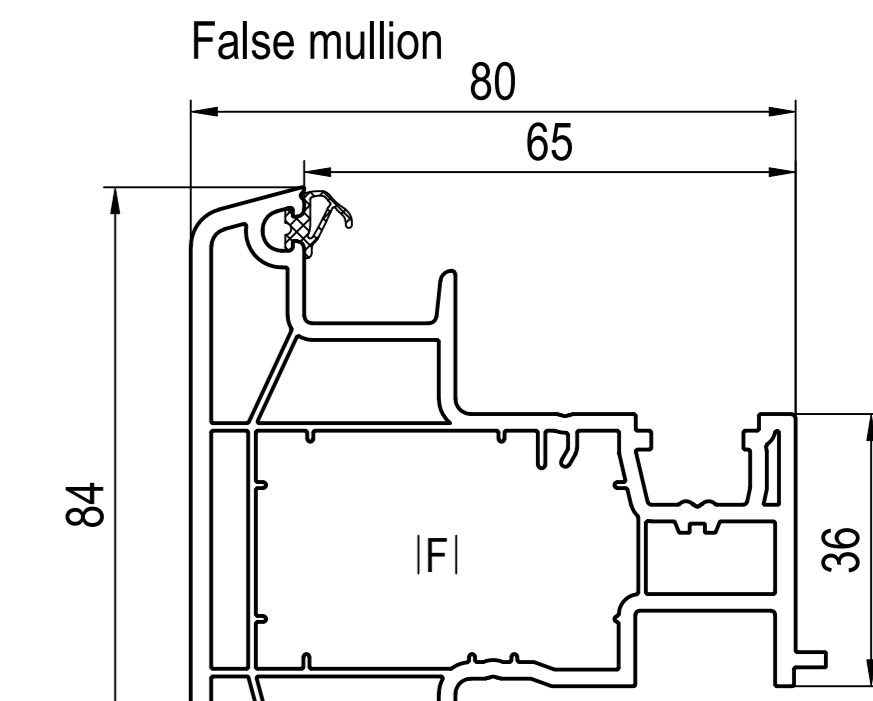
■ **180x46 (CL)**
AI 650250, 650252, 655251, 680250, 685251 or M JI
DI 687246 ~ M ...
DI 680046 ~ universal
FI 229037
M JI 642261, 642262, 642263, 646265, 646266
PI 289346



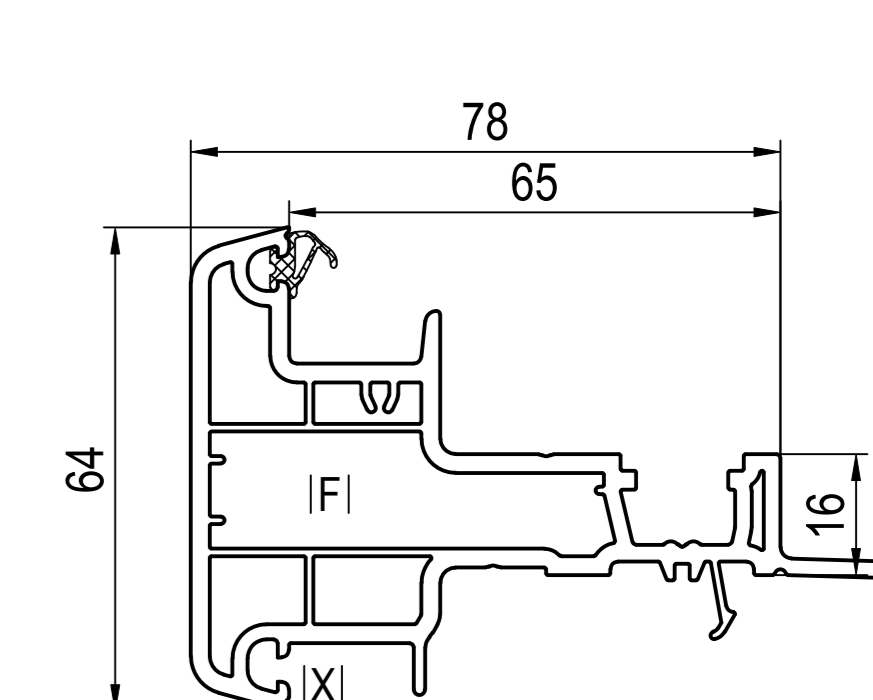
■ **080x89 (CL) ->080x20, 180x20**
AI 650250, 650252, 655251, 680250, 685251 or M JI
CI 680029
FI 289089
M JI 642261, 642262, 642263, 646265, 646266
PI 289489



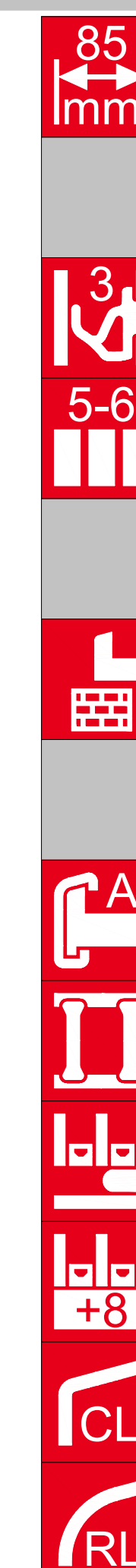
■ **180x69 (CL) ->180x26**
AI 650250, 650252, 655251, 680250, 685251 or M JI
CI 680029
FI 259020, 259021, 259026
M JI 642261, 642262, 642263, 646265, 646266
PI 289369



■ **180x66 (CL)**
CI 680066
FI 229029, 229030, 289066
PI 249341
XI 447340, 449340, 447042, 449042



■ **180x64 (CL)**
CI 680064
FI 229063
PI 259365
XI 447340, 449340, 447042, 449042



Ⓜ Bonding of pane Option

□ not laminated
■ laminated

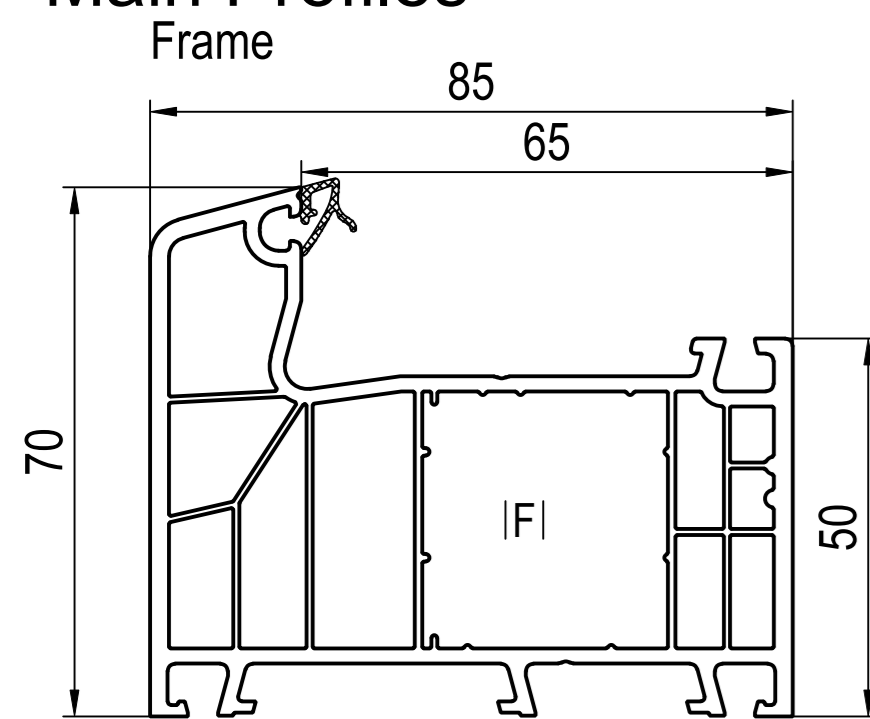
AI Spacer
CI End caps
DI Connector
DI Connector without sticks
FI Reinforcements
HI Installation / mounting anchor
JI Bonding of pane
PI **aluskin** Aluminium shells
QI Aluminium step protection
UI Aluminium threshold
VI Connection for threshold
WI Mullion coupler
XI Gaskets
ZI Special accessories

-> for

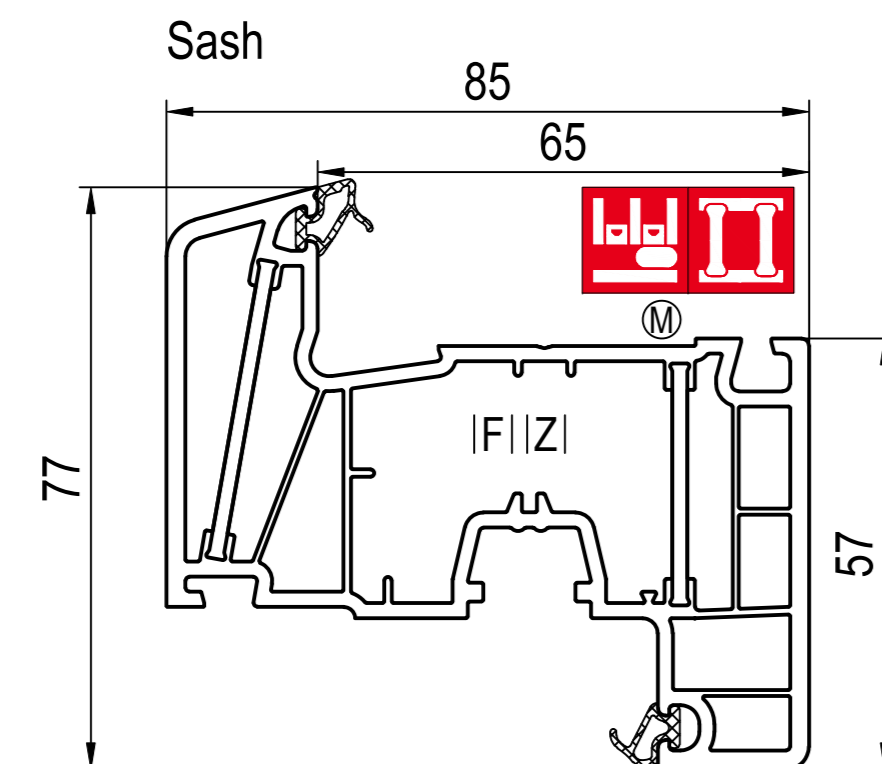
(CL) Classic-line
(RL) Round-line

bl black
wh white

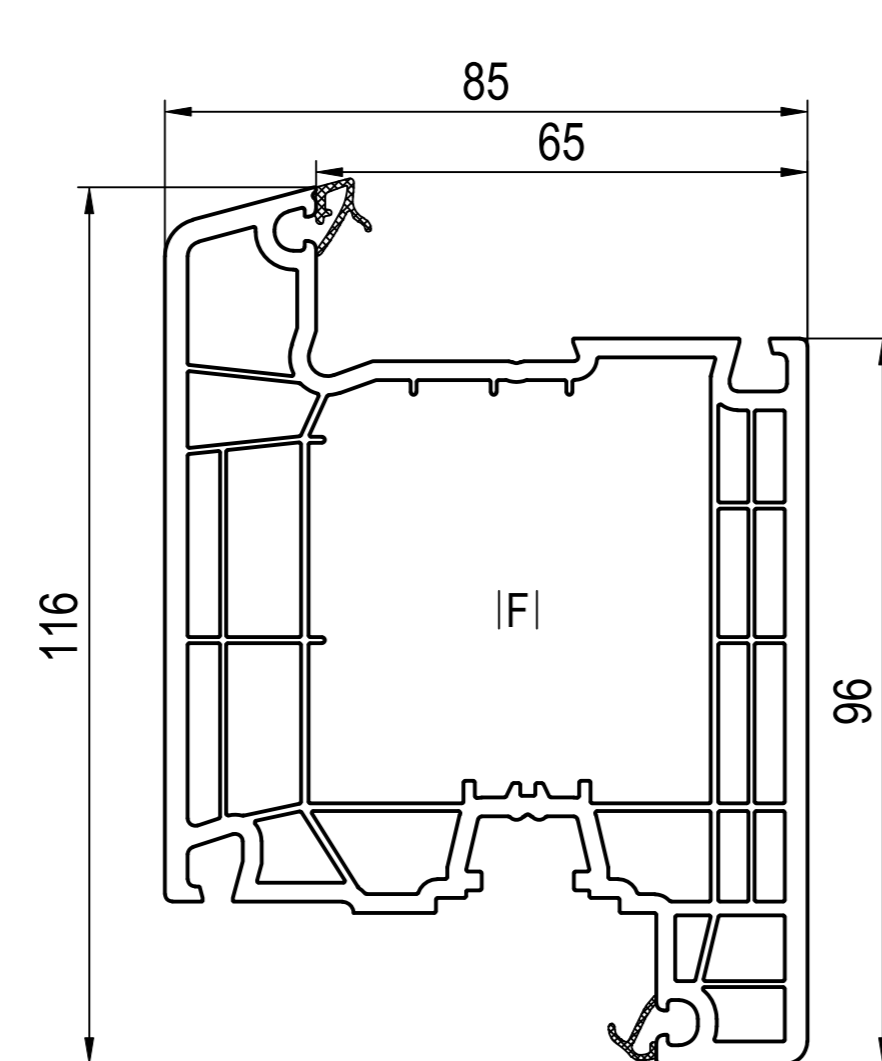
Main Profiles



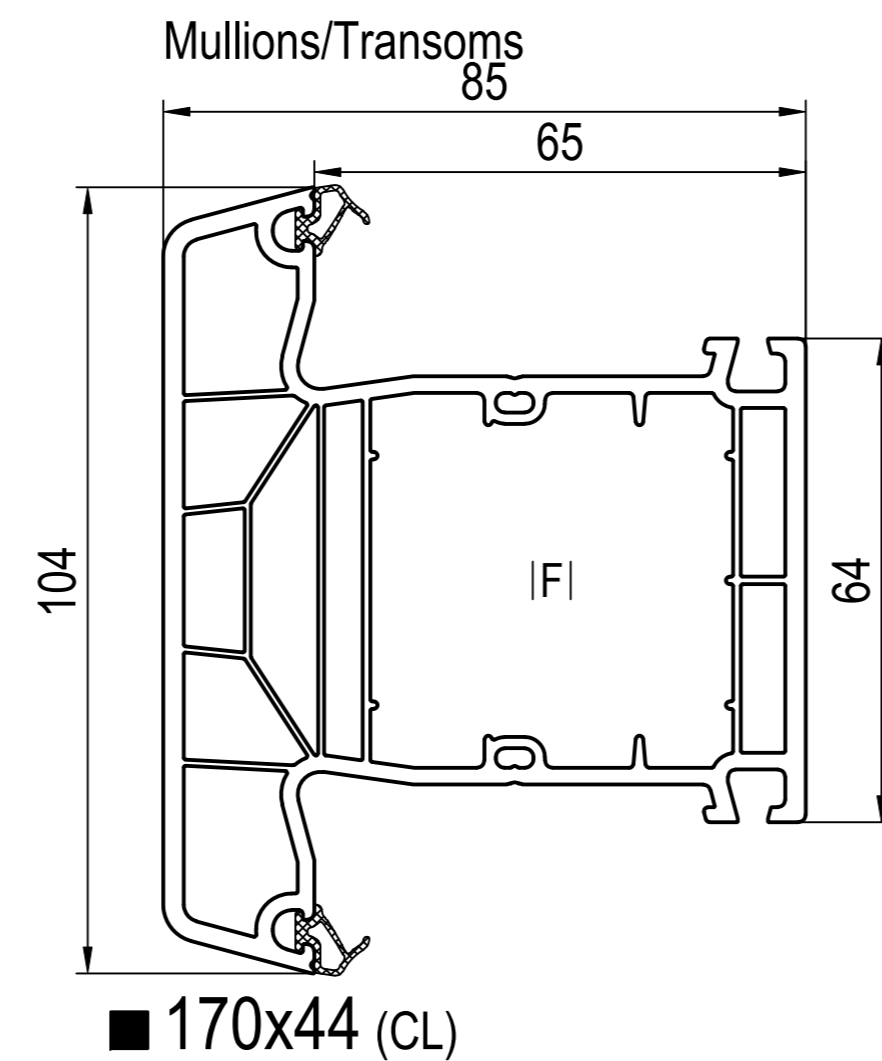
■ 170x020000098 (CL)
IA 670301
FI 249014, 249015, 249016, 259105, 259106, 259107
PI 279402, 289304
IQ 287301, 287303
IU 249058, 269060
IV 686475 + IX 486071



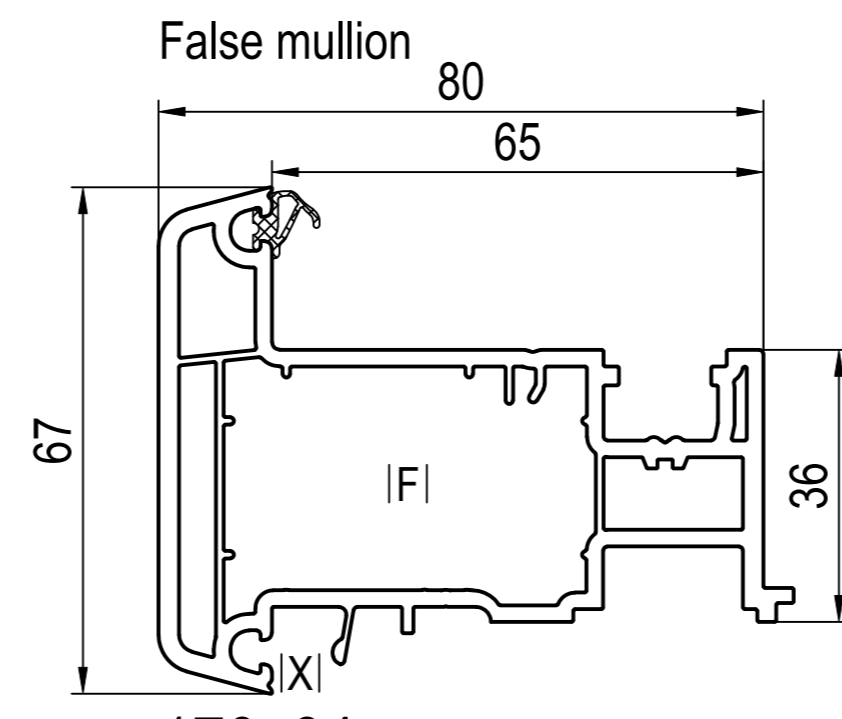
■ 070x20 (CL)
IA 650250, 650252, 655251, 680250, 685251 or MJ JI
FI 249016, 259020, 259021, 259026, 289021
MJ JI 642261, 642262, 642263, 646265, 646266
PI 279420
ZI 650295



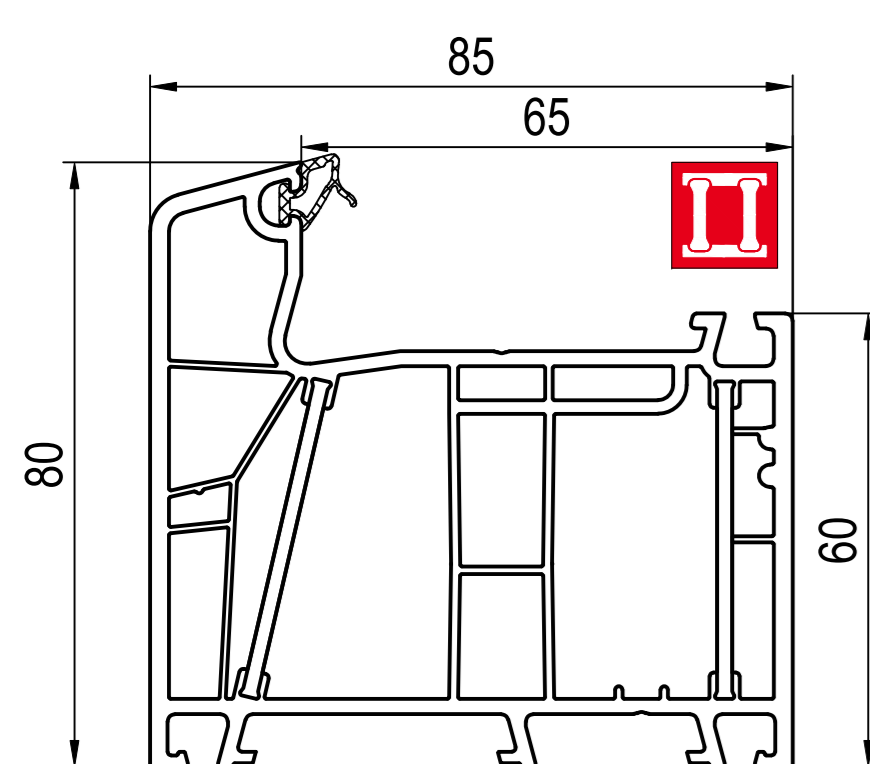
■ 170x33 (CL)
IA 620301, 620305
FI 229135, 229137
PI 279433



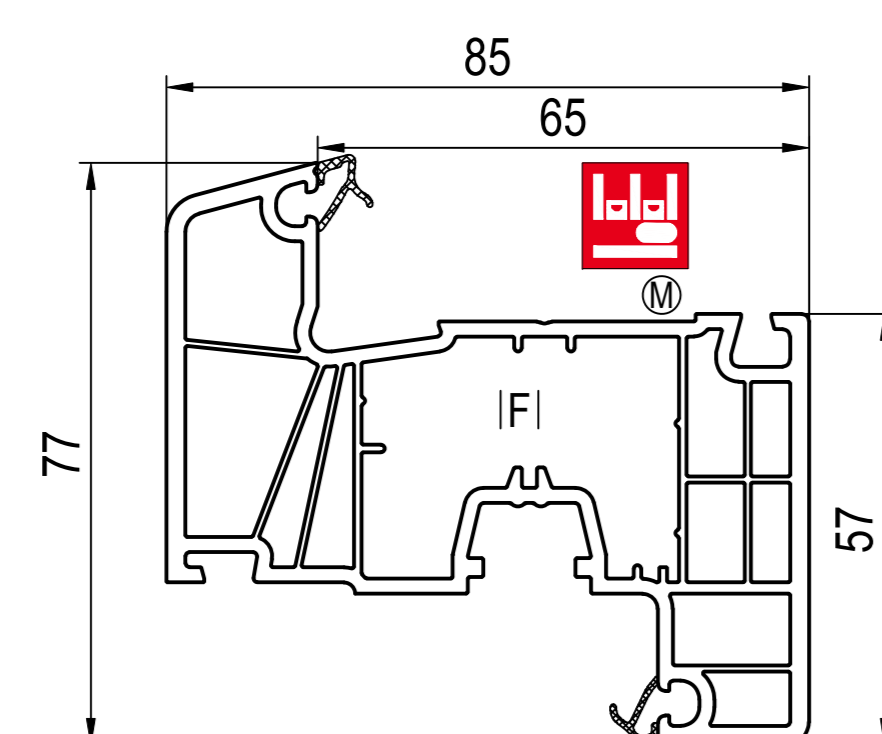
■ 170x44 (CL)
IA 670301
MJ JI 677244 ~ MJ ...
DI 677145, 677146 ~170x4x ...
DI 677144 ~170x3x ...
DI 640046 ~ universal
FI 249034, 249035
PI 289343
IU 249058, 269060
WI 686473



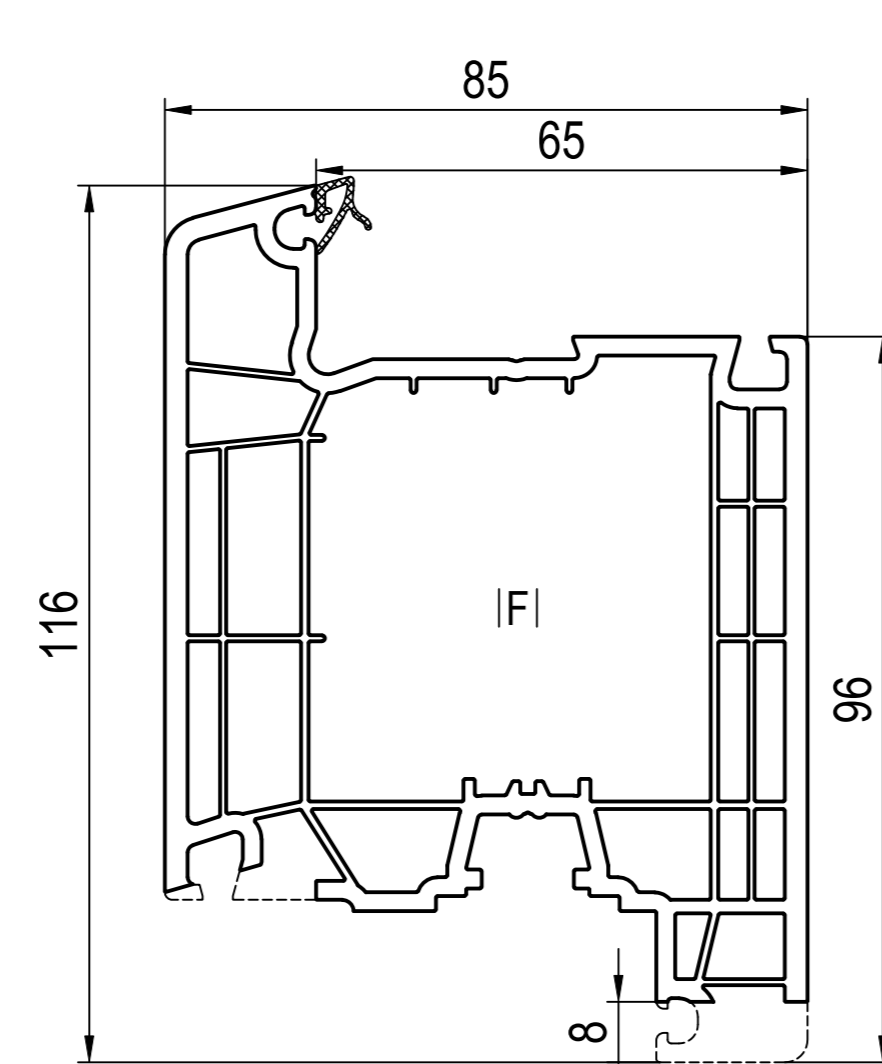
■ 170x64 (CL)
CI 670064
FI 229029, 229030, 289066
PI 279364
XI 447340, 449340, 447042, 449042



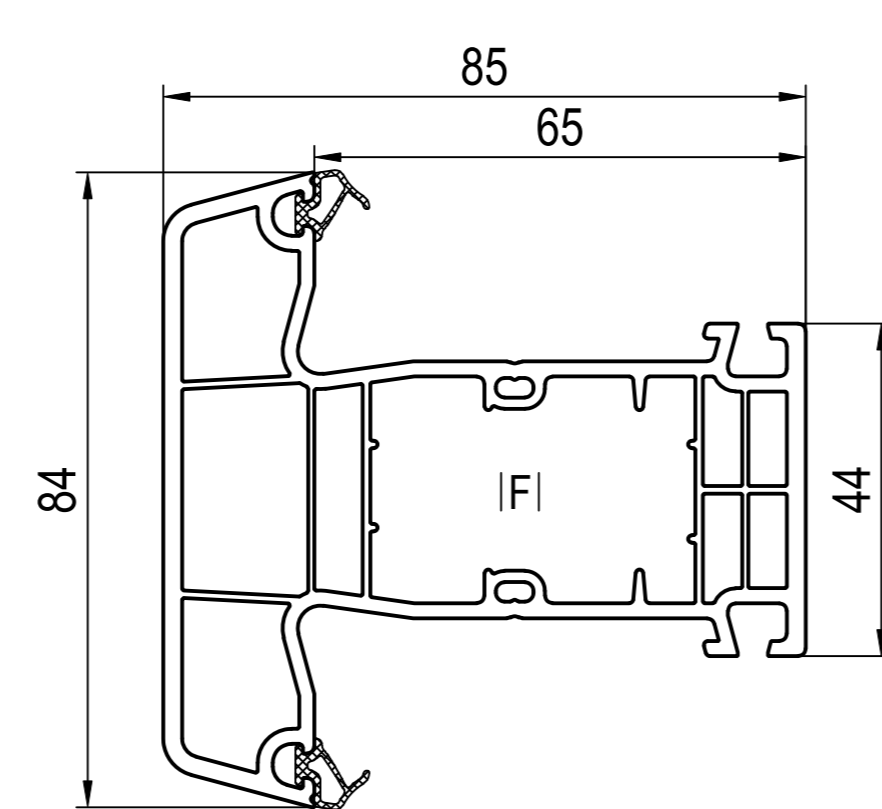
■ 070x03 (CL)
IA 670301
PI 289304, 289313
IQ 287301, 287303
IU 249058, 269060
VI 686471 + IX 486071



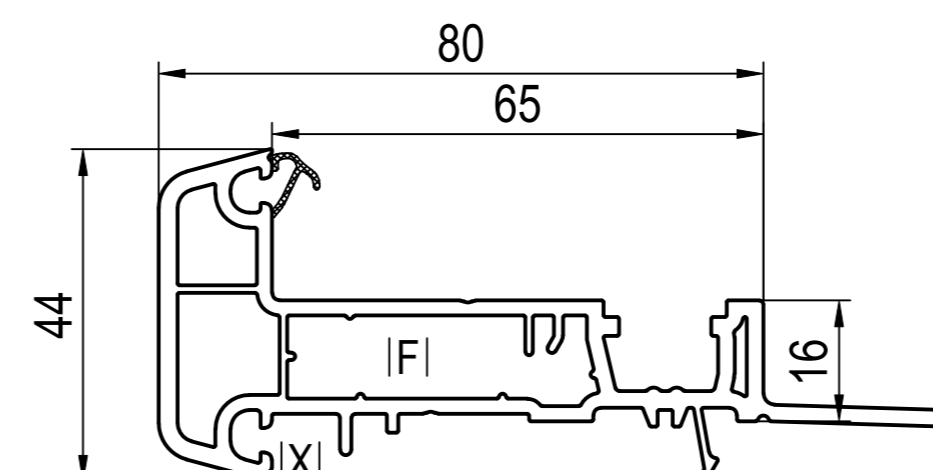
■ 170x20 (CL)
IA 650250, 650252, 655251, 680250, 685251 or MJ JI
FI 249016, 259020, 259021, 259026, 289021
MJ JI 642261, 642262, 642263, 646265, 646266
PI 279420



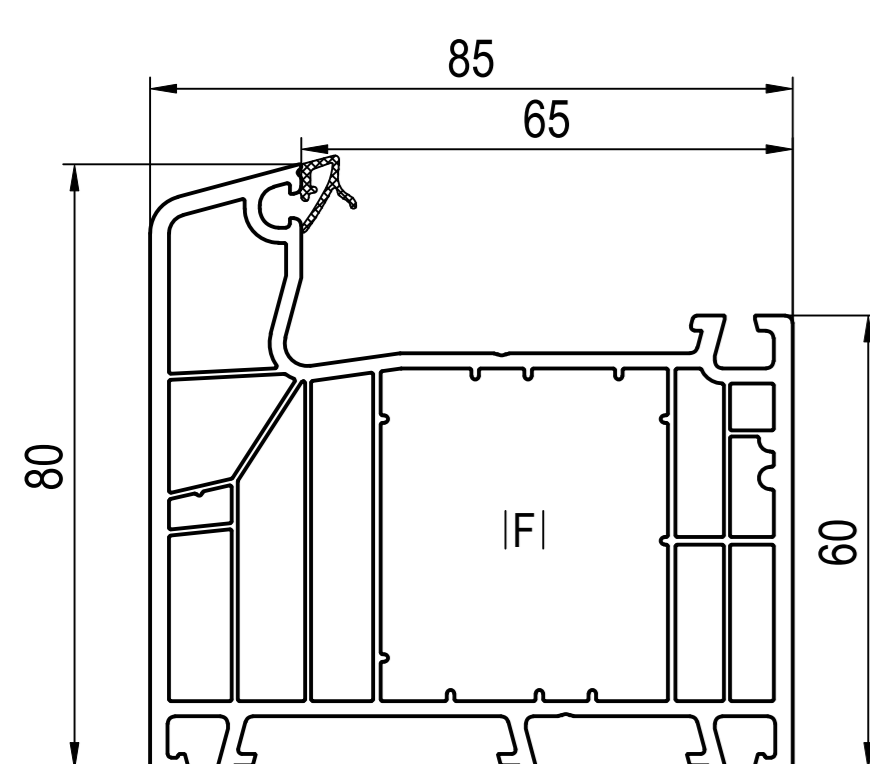
■ 170x36 (CL)
= 170x33 cut
IA 620301, 620305
FI 229135, 229137



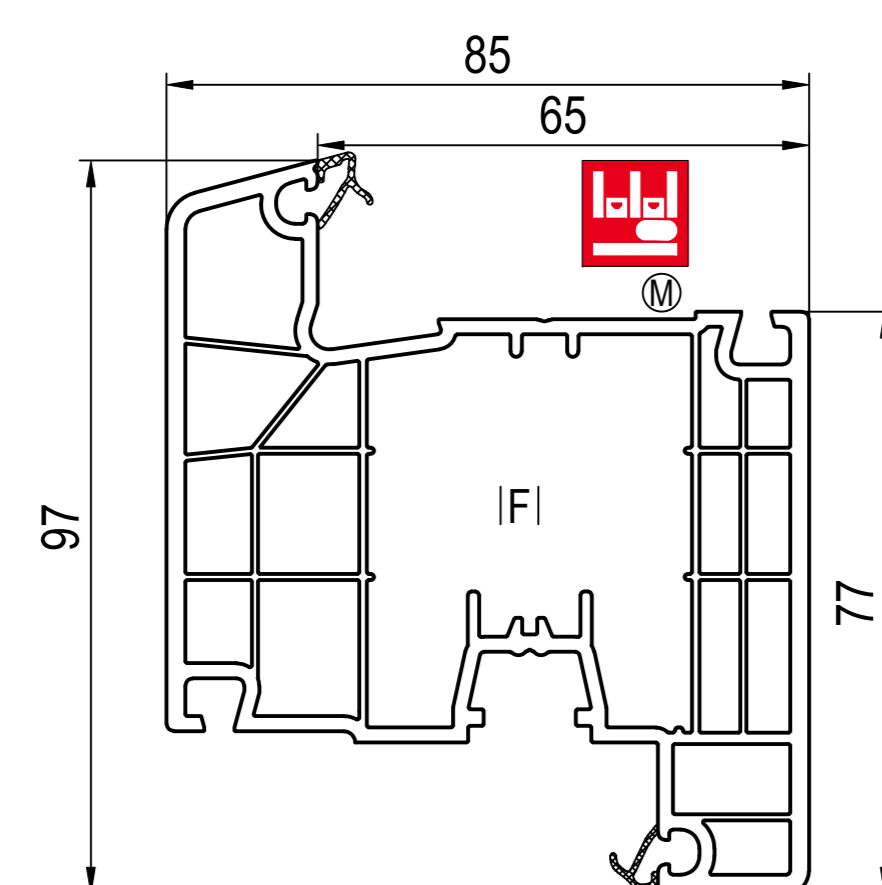
■ 170x41 (CL)
IA 670301
MJ JI 677241 ~ MJ ...
DI 677101, 679141 ~170x4x ...
DI 677142 ~170x3x ...
DI 620046, 640046 ~ universal
FI 259043, 259044
PI 289341



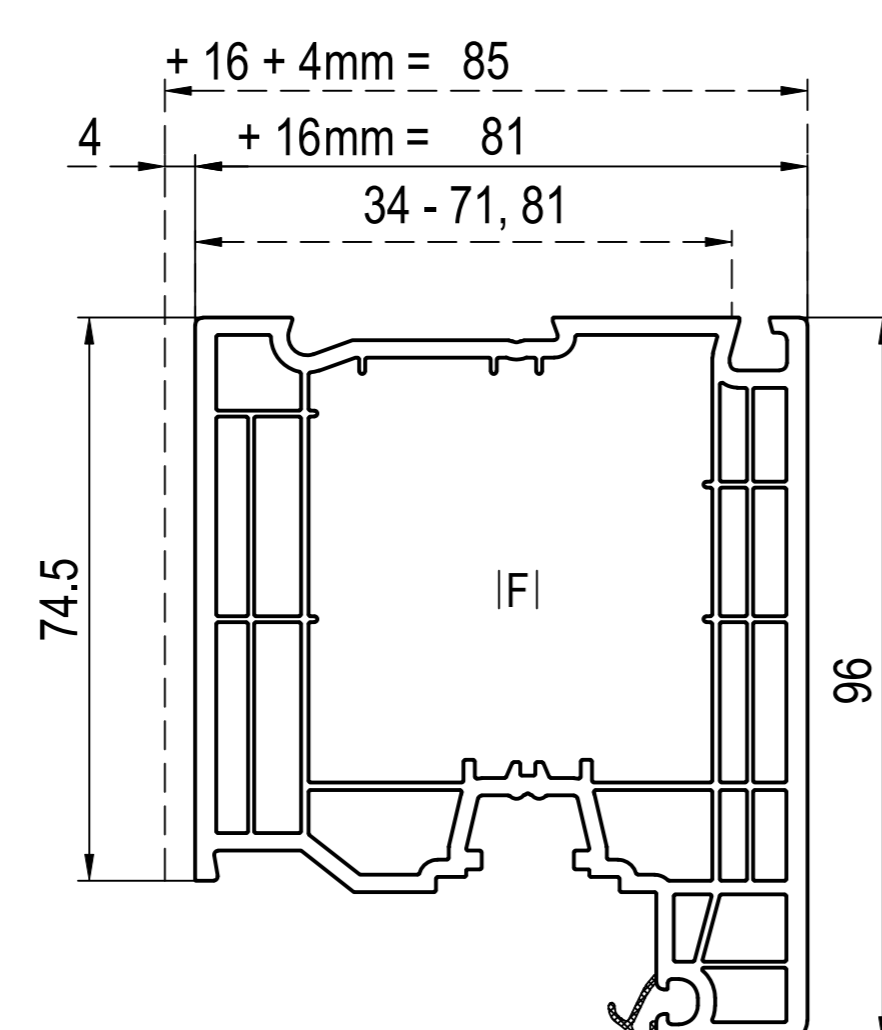
■ 170x65 (CL)
CI 670365 + 670465
FI 259080
PI 249365
XI 447340, 449340, 447042, 449042



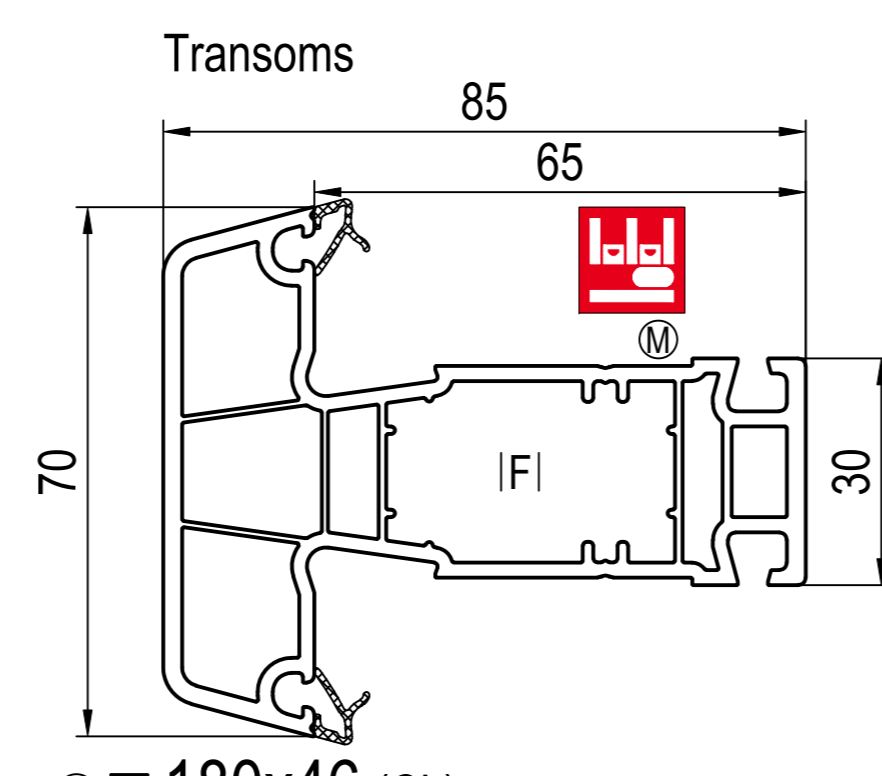
■ 170x03 (CL)
IA 670301
FI 229017, 229114, 229115, 229120
PI 289304, 289313
IQ 287301, 287303
IU 249058, 269060
VI 686471 + IX 486071



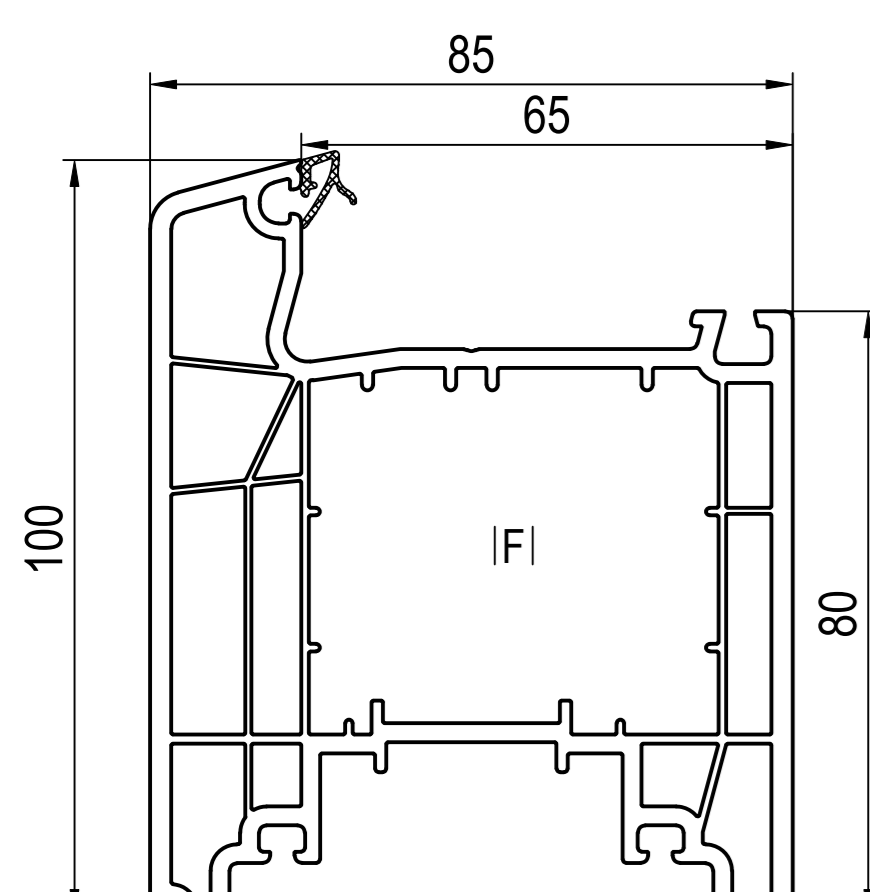
■ 170x30 (CL)
IA 650250, 650252, 655251, 680250, 685251 or MJ JI
FI 209192, 209193
MJ JI 642261, 642262, 642263, 646265, 646266
PI 279430



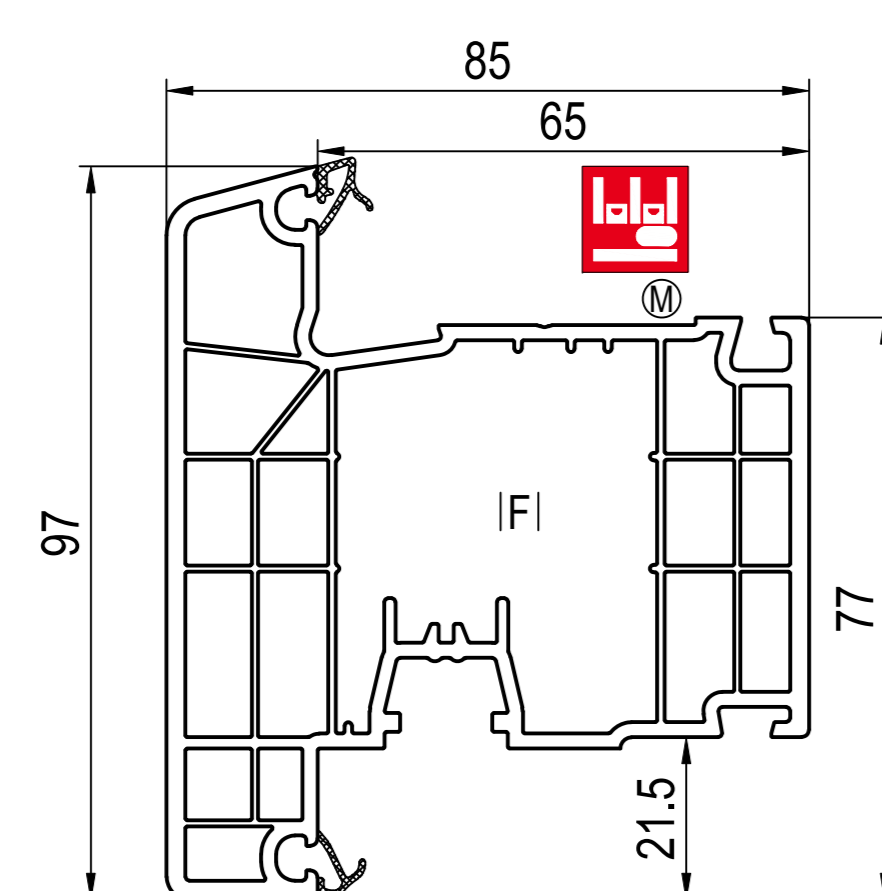
■ 170x39 (CL)
IA 620301
FI 229135, 229137



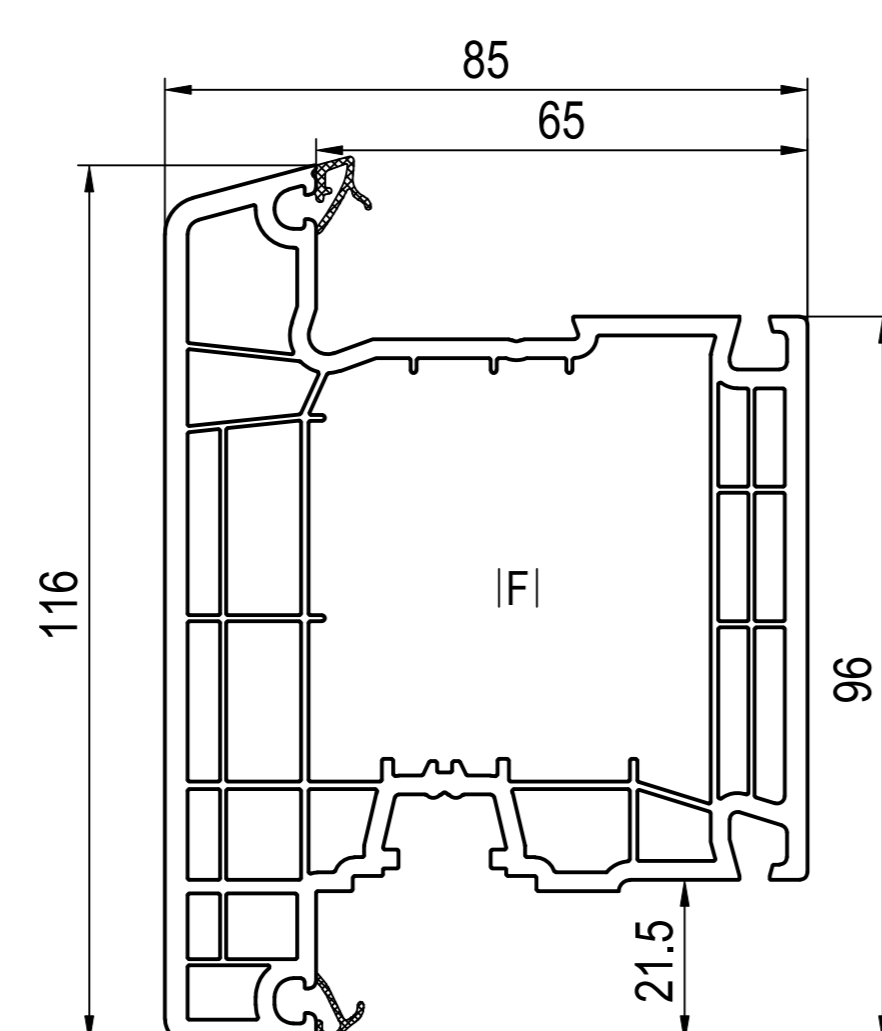
■ 180x46 (CL)
IA 650250, 650252, 655251, 680250, 685251 or MJ JI
MJ JI 687246 ~ MJ ...
DI 680046 ~ universal
FI 229037
MJ JI 642261, 642262, 642263, 646265, 646266
PI 289346



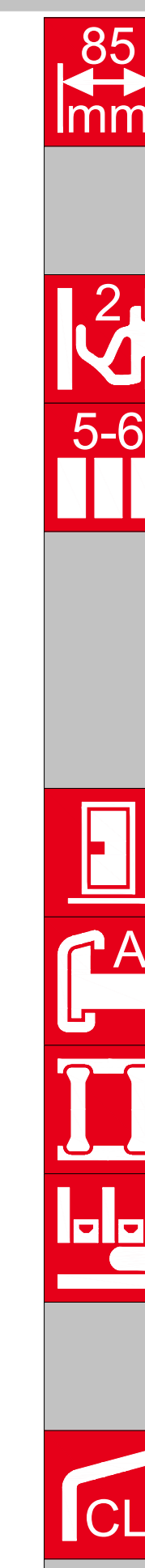
■ 170x81 (CL)
IA 670301
FI 229125, 229126
PI 279381, 289304
IQ 287301, 287303



■ 170x31 (CL)
IA 650250, 650252, 655251, 680250, 685251 or MJ JI
FI 209192, 209193
MJ JI 642261, 642262, 642263, 646265, 646266

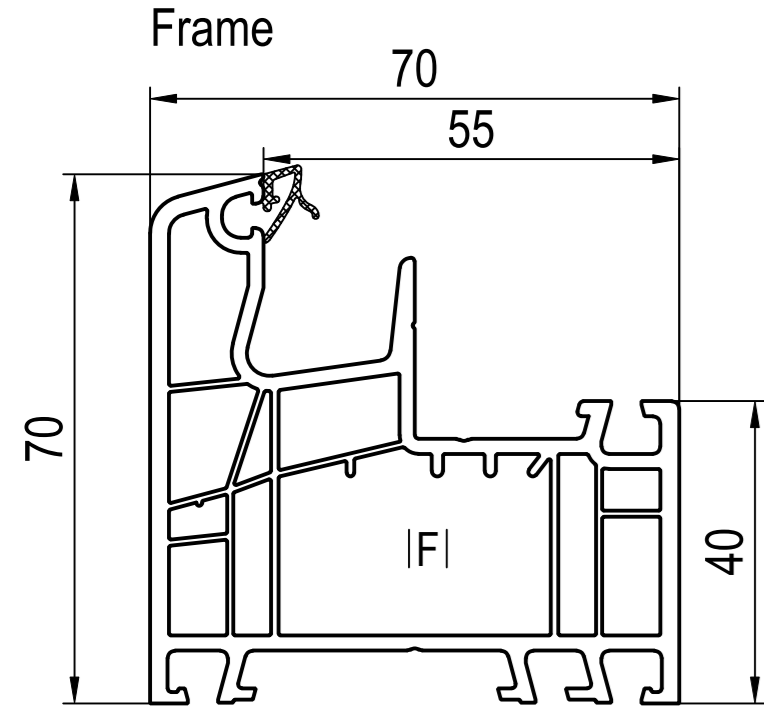


■ 170x35 (CL)
IA 620301, 620305
FI 229135, 229137

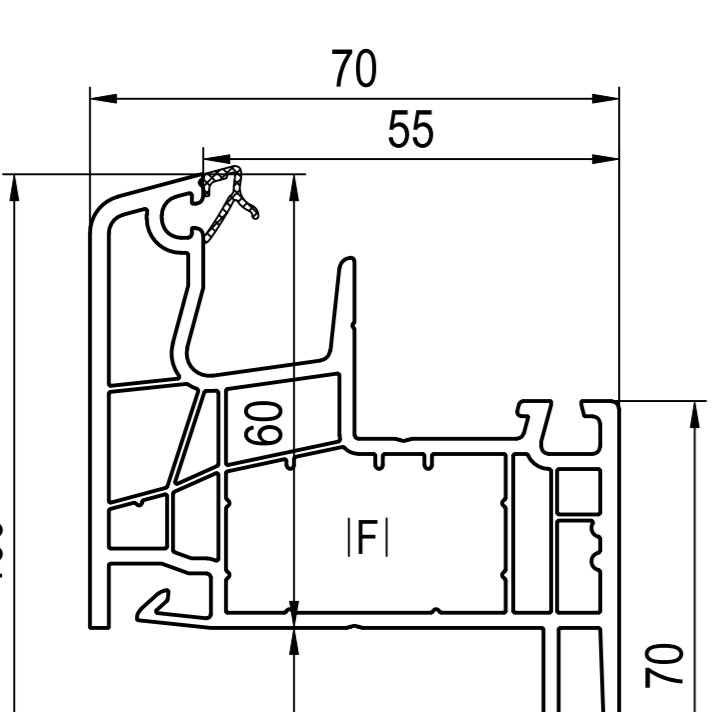


- Ⓜ Bonding of pane Option
- not laminated
- laminated
- IA Spacer
- CI End caps
- DI Connector
- DI Connector without sticks
- FI Reinforcements
- IJ Bonding of pane
- IP **aluskin** Aluminium shells
- IQ Aluminium step protection
- IU Aluminium threshold
- VI Connection for threshold
- WI Mullion coupler
- XI Gaskets
- ZI Special accessories
- > for
- (CL) Classic-line

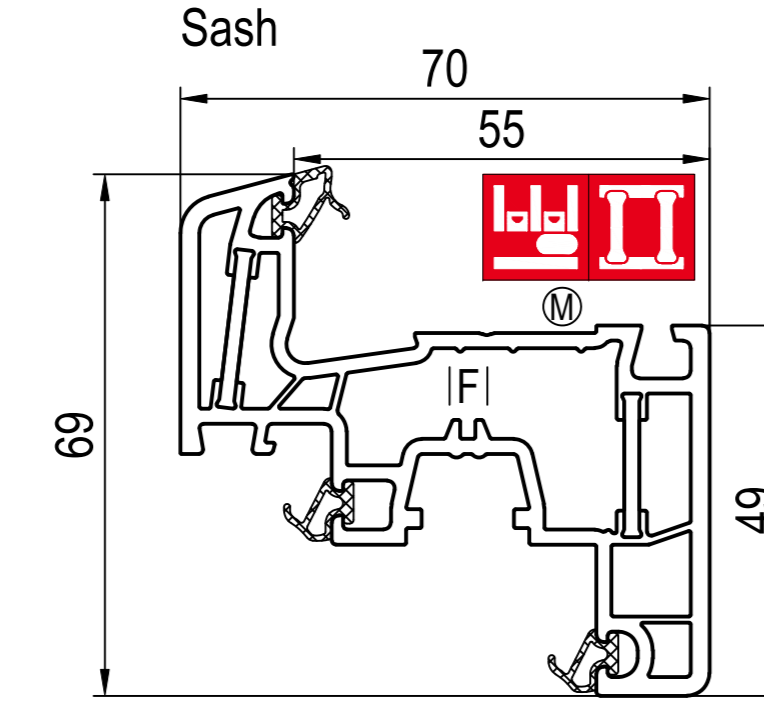
Main Profiles



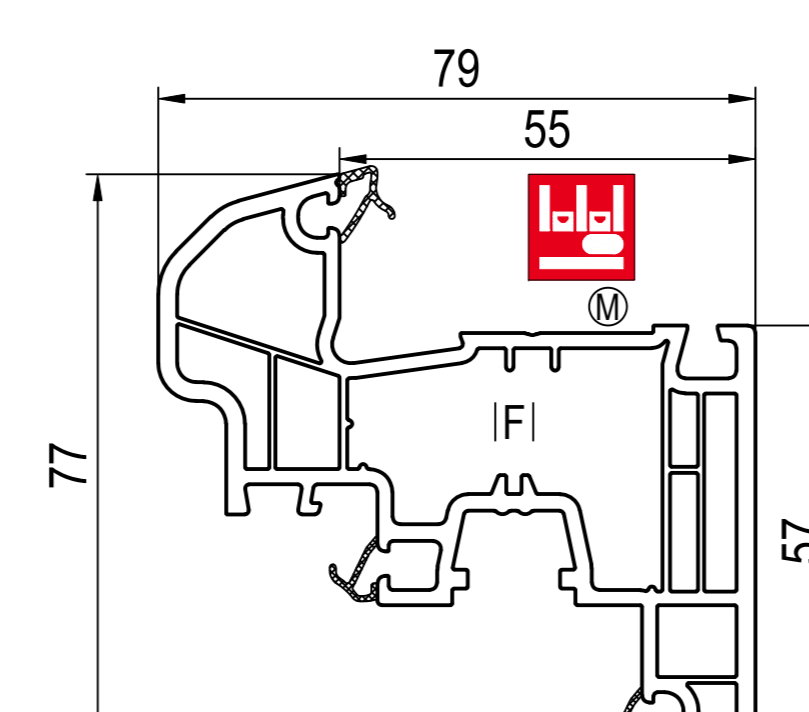
■ 150x02 (CL)
IA| 650016, 650321
FI| 229098, 229100, 229101, 249004
IP| 249312, 259304
IQ| 227300, 227303, 227305
IU| 249058, 249060, 269060
IV| 646071 + IX| 446071



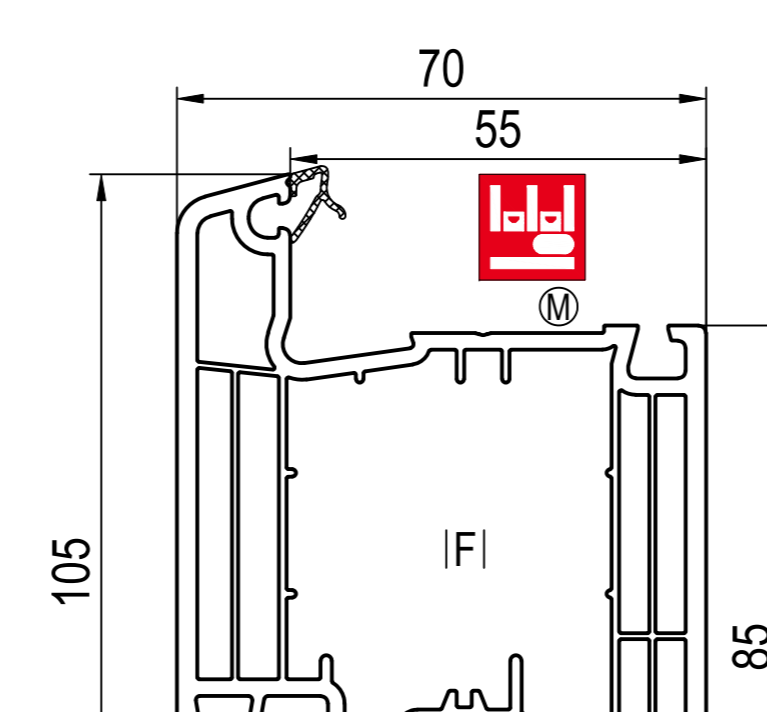
■ 150x11 (CL)
IA| 650016, 650321
FI| 229037
PI| 259304, 259311
IQ| 227300, 227303, 227305



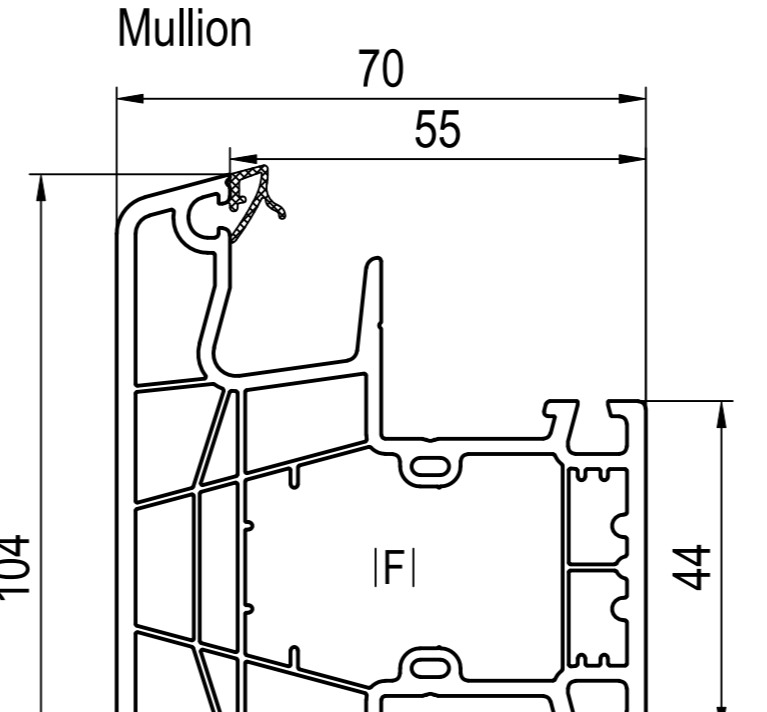
■ 050x24 (CL)
IA| 650250, 650252, 655251
or
IA| 259024, 259028
FI| 642261, 642262, 642263, 646265, 646266
IP| 259424



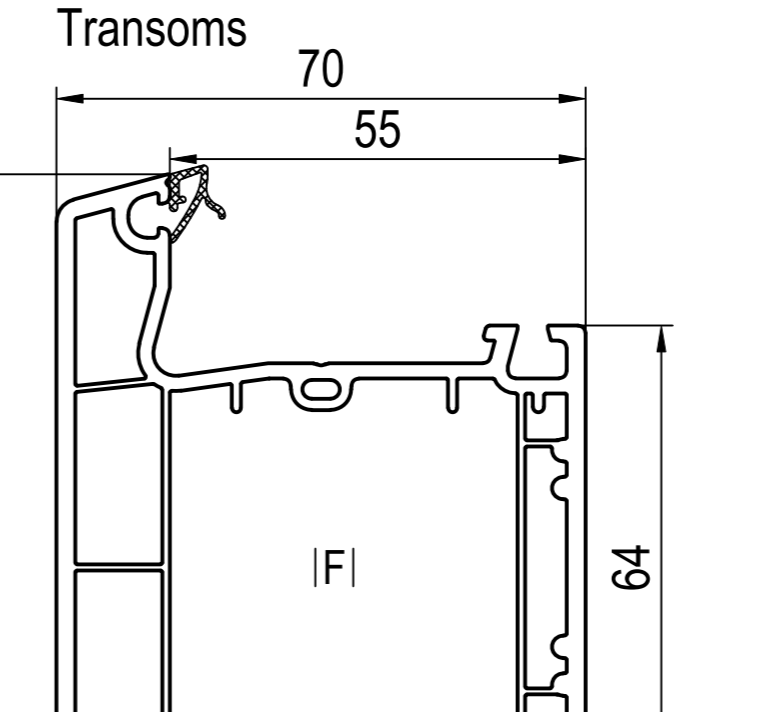
■ 150x26 (CL) -> 150x69
IA| 650250, 650252, 655251
or
IA| 259020, 259021, 259026, 289021
FI| 642261, 642262, 642263, 646265, 646266



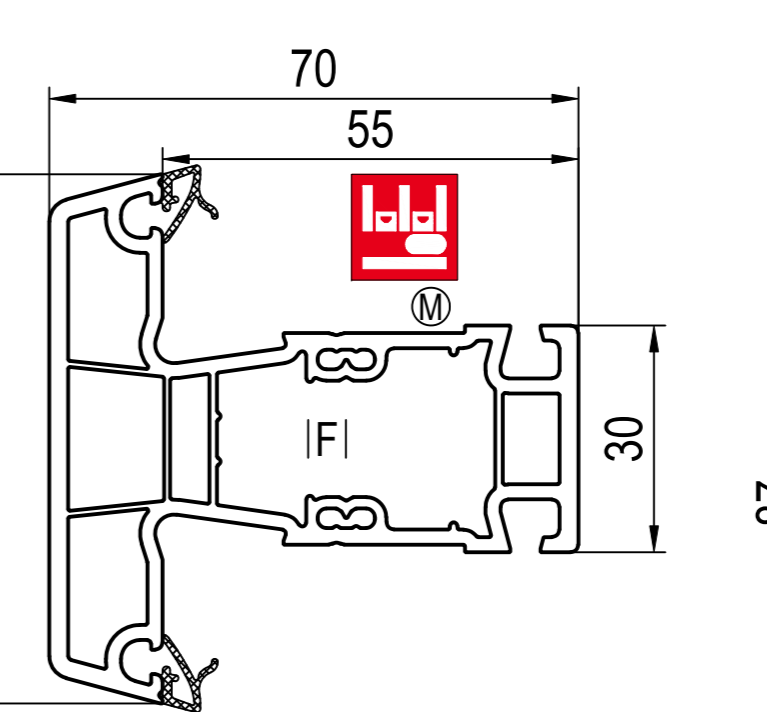
■ 150x30 (CL)
IA| 650250, 650252, 655251
or
IA| 229114, 229115, 259031
FI| 642261, 642262, 642263, 646265, 646266
IP| 259430



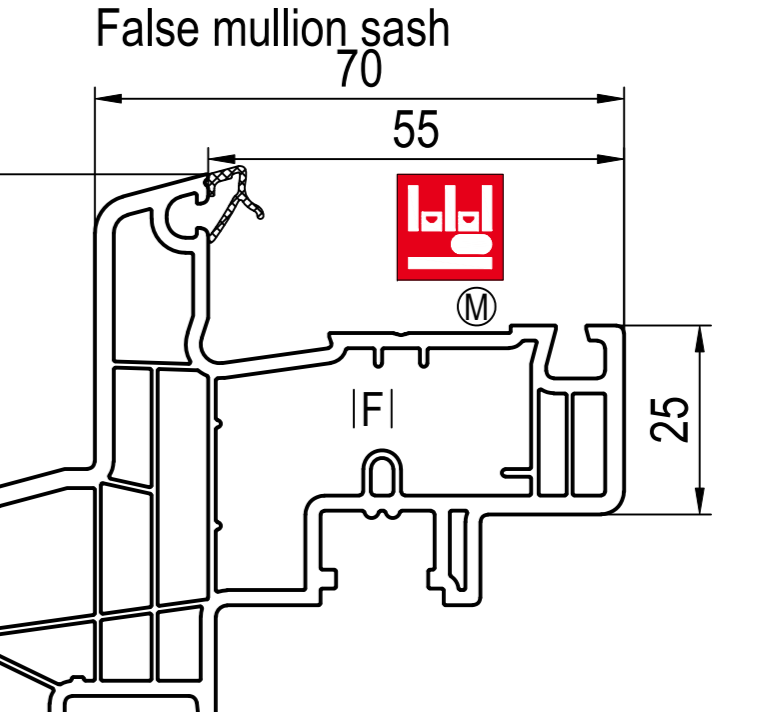
■ 150x43 (CL)
IA| 650016, 650321
DI| 657130, 657134 ~150x0x ...
DI| 657030 ~150x0x ...
DI| 620046 ~ universal
XI| 659032, 659033 bl
XI| 650032, 659033 wh
FI| 259043, 259044
IU| 249058, 249060, 269060
IW| 646075



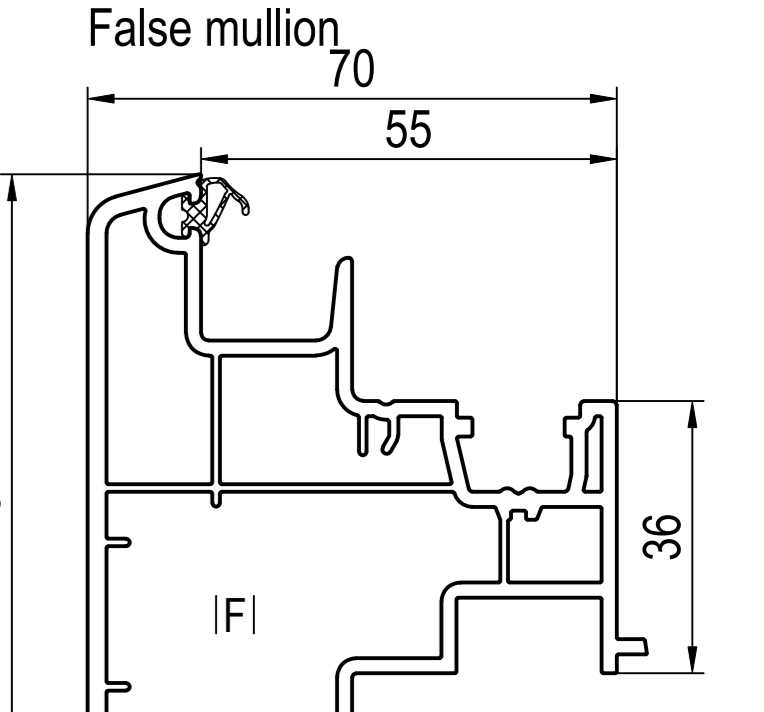
■ 140x45 (CL)
IA| 640301, 640320
DI| 647245 ~ ...
DI| 677133 ~140x4x ...
DI| 647136, 677103 ~140x4x ...
DI| 640046 ~ universal
FI| 249034, 249035
PI| 249343



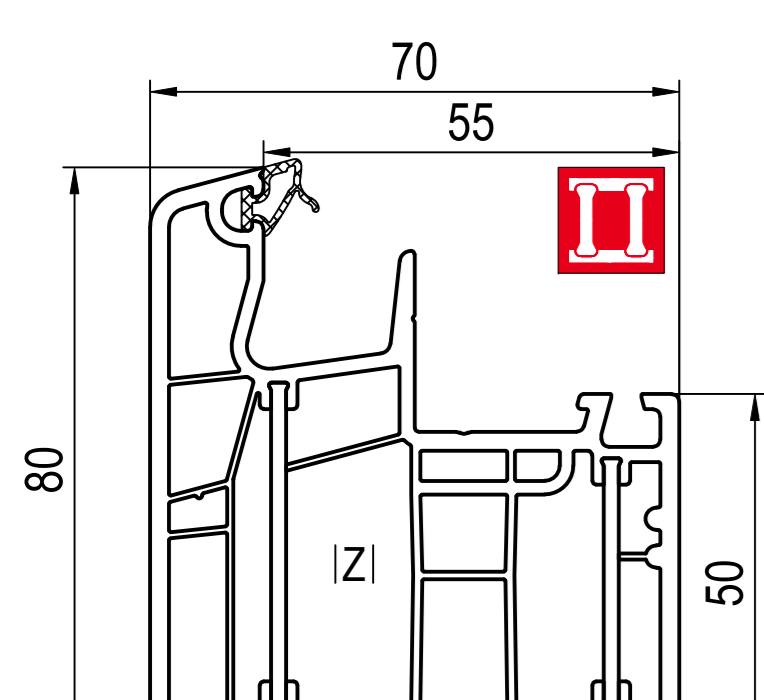
■ 140x46 (CL)
IA| 650250, 650252, 655251
or
IA| 647146 ~ ...
FI| 249046
FI| 642261, 642262, 642263, 646265, 646266
PI| 249346



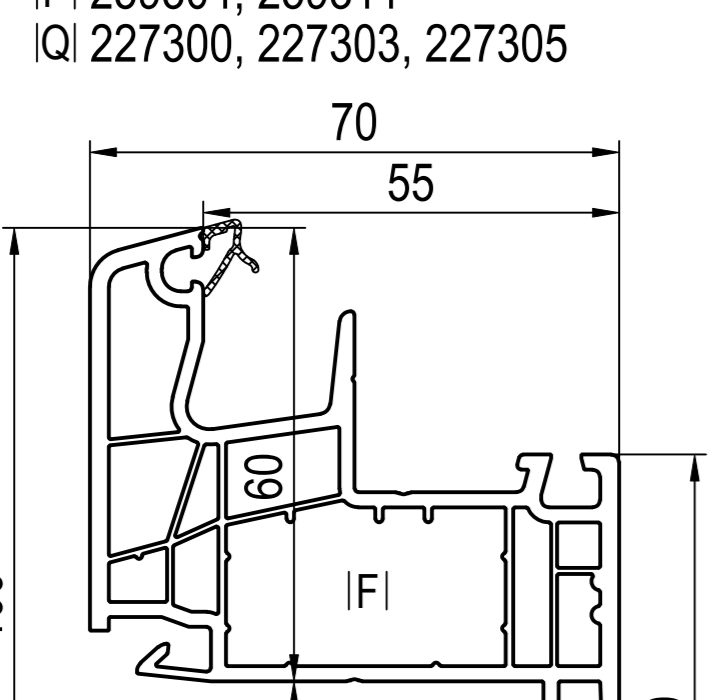
■ 150x68 (CL) -> 050x20, 150x20
IA| 650250, 650252, 655251
or
IA| 650029
FI| 259020, 259021, 259026
FI| 642261, 642262, 642263, 646265, 646266
PI| 259368



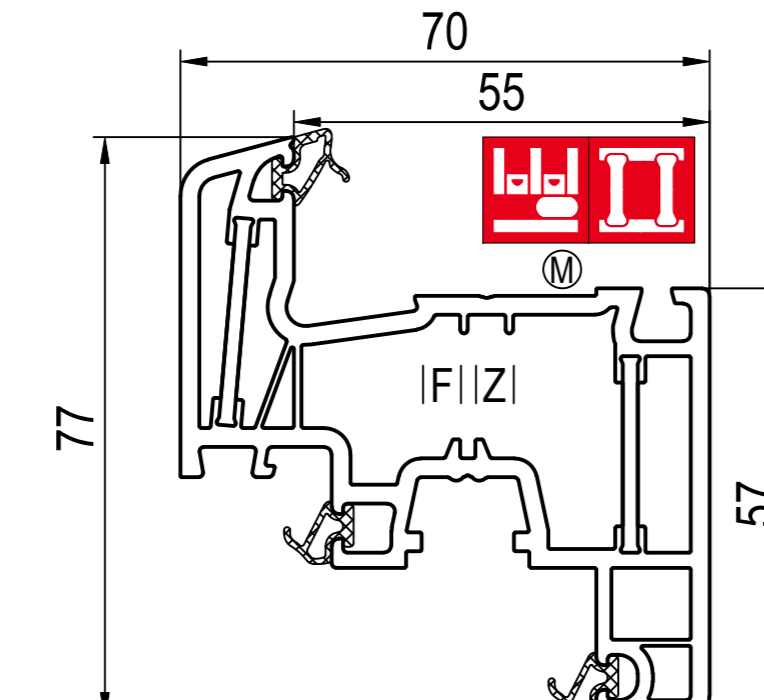
■ 150x67 (CL)
CI| 650067
FI| 259067
PI| 249341
IX| 447340, 449340, 447042, 449042



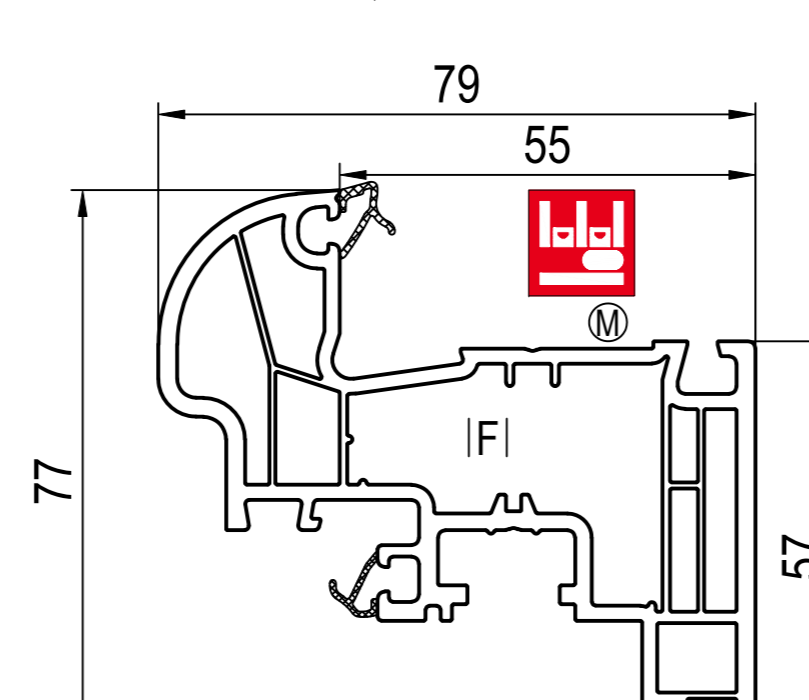
■ 050x03 (CL)
IA| 650016, 650321
IP| 249313, 259304
IQ| 227300, 227303, 227305
IU| 249058, 249060, 269060
IV| 646072 + IX| 446071
IZ| 650290



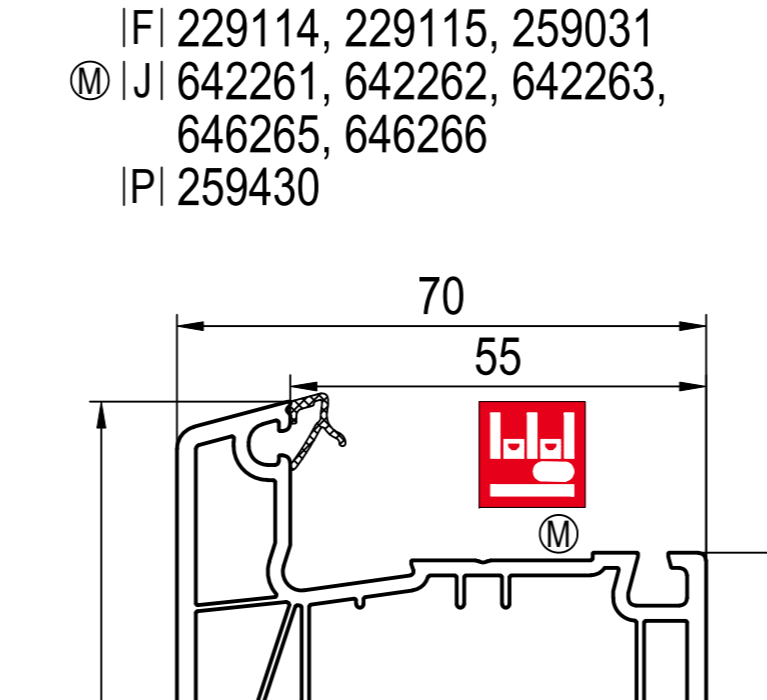
■ 150x110000011 (CL)
IA| 650016, 650321
FI| 229037
PI| 259304
IQ| 227300, 227303, 227305



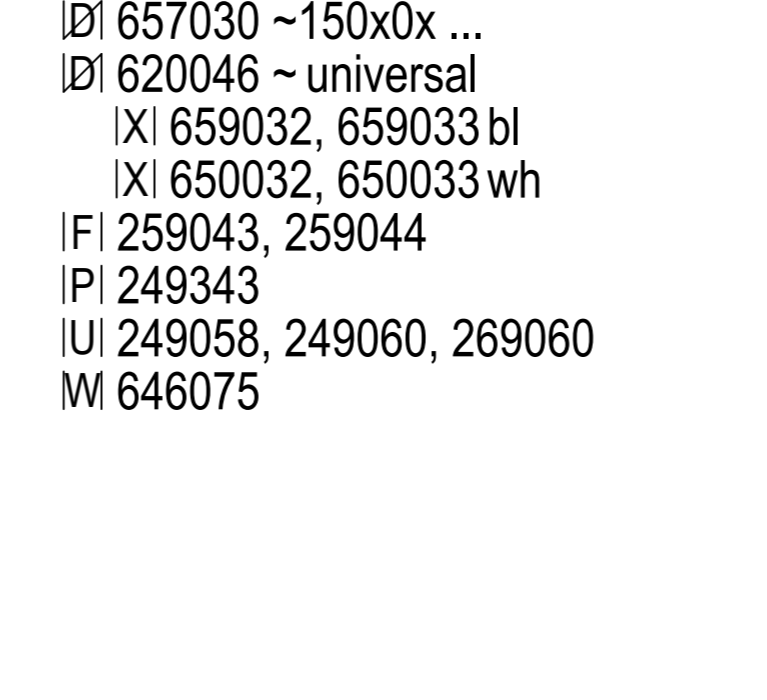
■ 050x20 (CL) -> 150x68
IA| 650250, 650252, 655251
or
IA| 259020, 259021, 259026, 289021
FI| 642261, 642262, 642263, 646265, 646266
IP| 259450
IZ| 650295



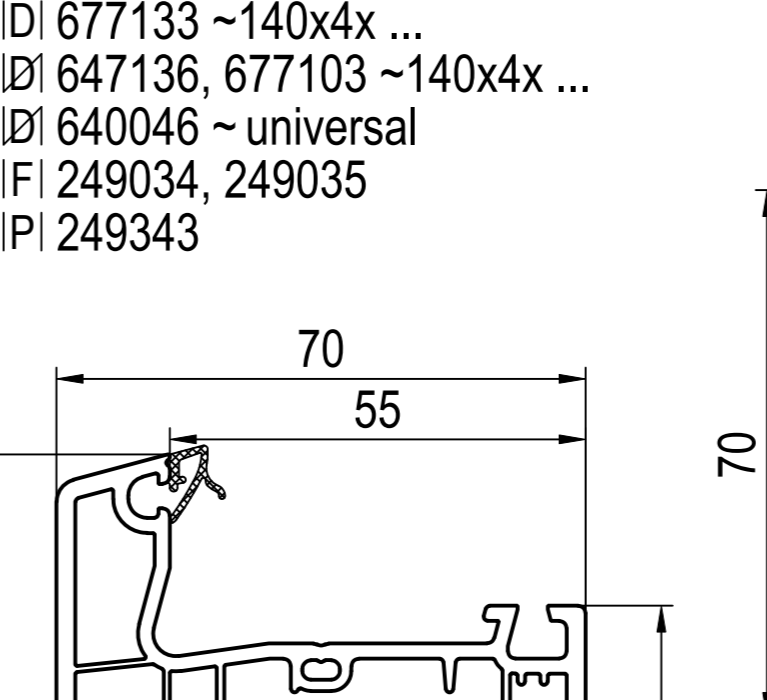
■ 150x22 (RL)
IA| 650250, 650252, 655251
or
IA| 259020, 259021, 259026, 289021
FI| 642261, 642262, 642263, 646265, 646266



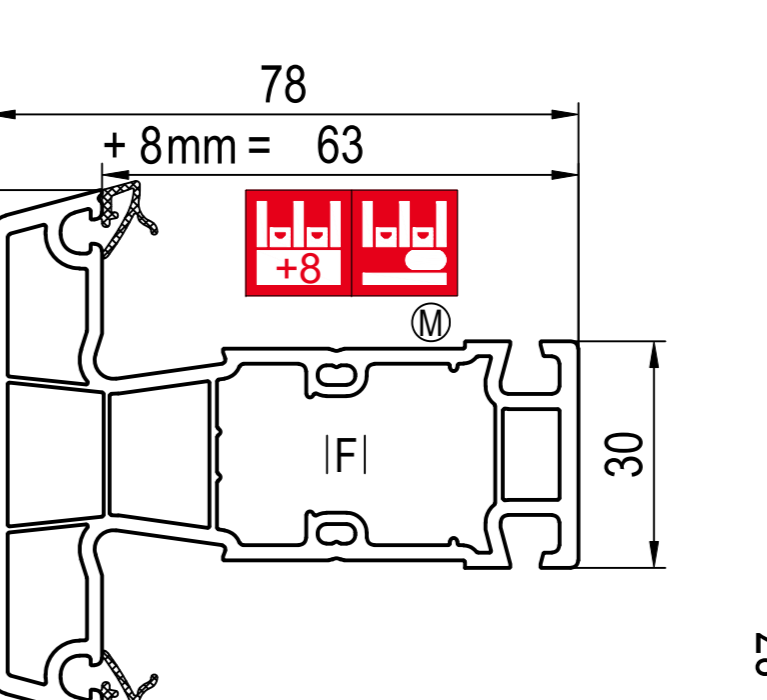
■ 150x31 (CL)
IA| 650250, 650252, 655251
or
IA| 229114, 229115, 259031
FI| 642261, 642262, 642263, 646265, 646266



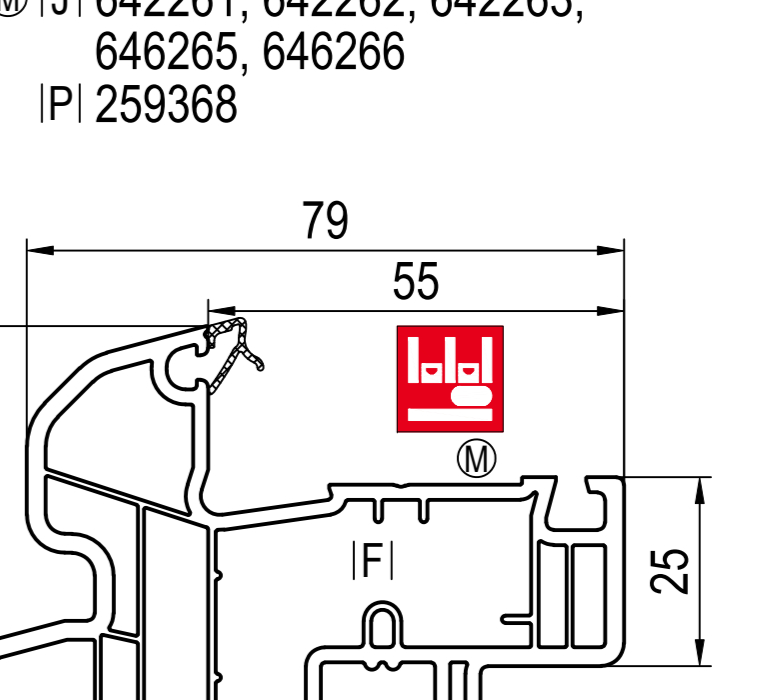
■ 140x41 (CL)
IA| 640301, 640320
DI| 647241 ~ ...
DI| 647131, 647132 ~140x4x ...
DI| 647101, 647102 ~140x4x ...
DI| 620046 ~ universal
FI| 229098, 229100, 229101
PI| 249341



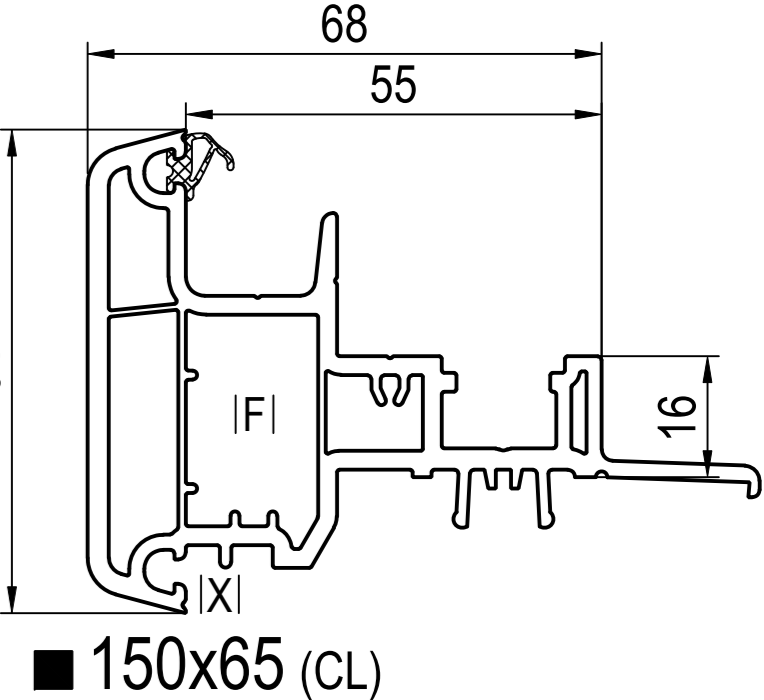
■ 140x44 (CL)
IA| 640301, 640320
DI| 647241 ~ ...
DI| 647131, 647132 ~140x4x ...
DI| 647101, 647102 ~140x4x ...
DI| 620046 ~ universal
FI| 229098, 229100, 229101
PI| 249341



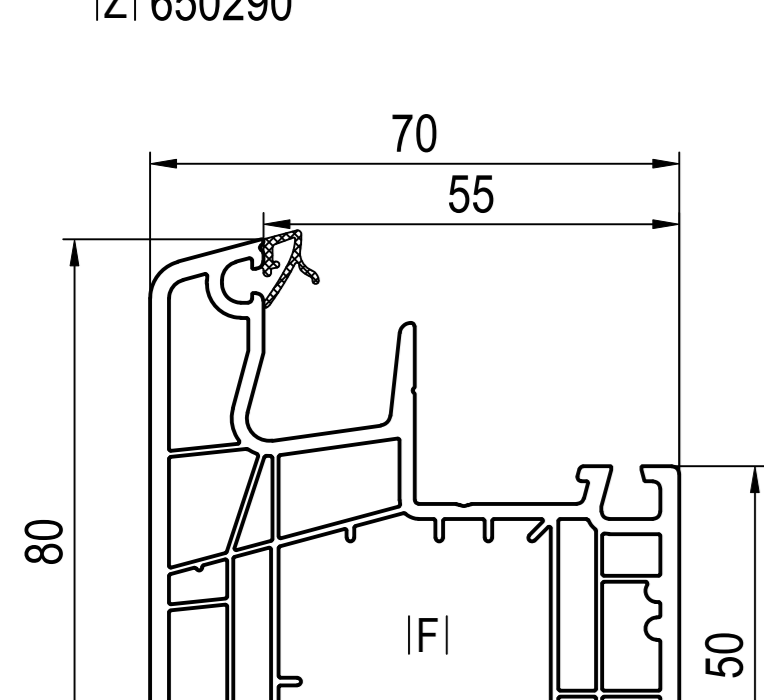
■ 140x48 (CL) -> 140x27, 150x27
IA| 650250, 650252, 655251, 680250, 685251 or
IA| 647148 ~ ...
FI| 249046
FI| 642261, 642262, 642263, 646265, 646266



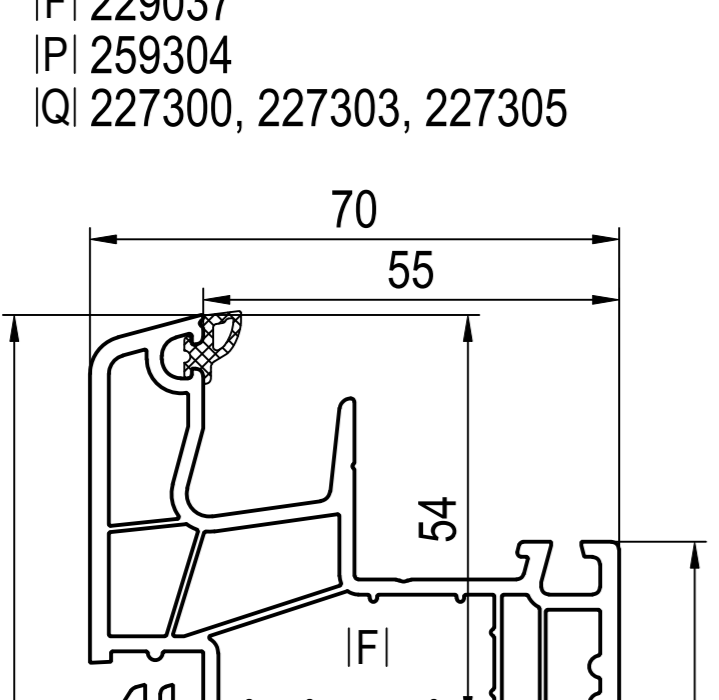
■ 150x69 (CL) -> 150x26
IA| 650250, 650252, 655251
or
IA| 650029
FI| 259020, 259021, 259026
FI| 642261, 642262, 642263, 646265, 646266



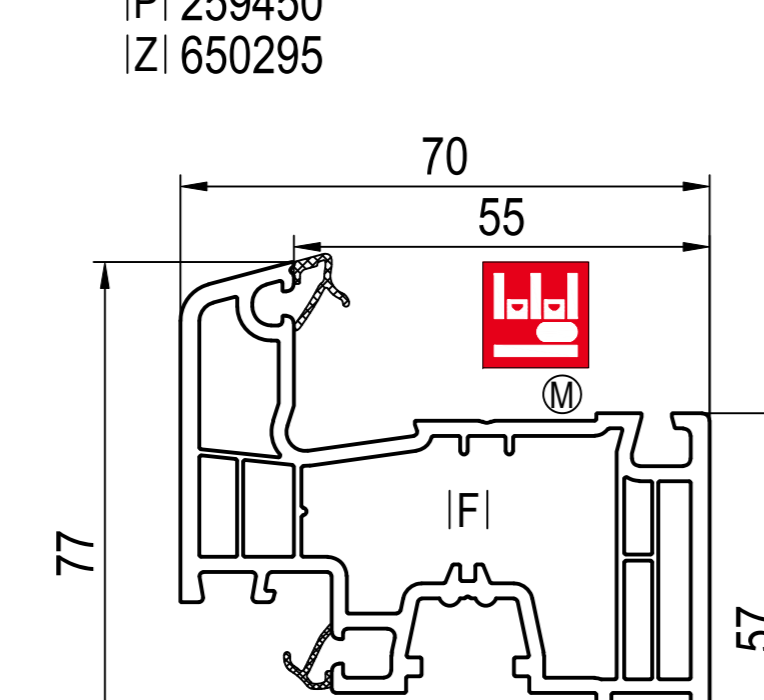
■ 150x65 (CL)
CI| 650065
FI| 229107
PI| 259365
IX| 447340, 449340, 447042, 449042



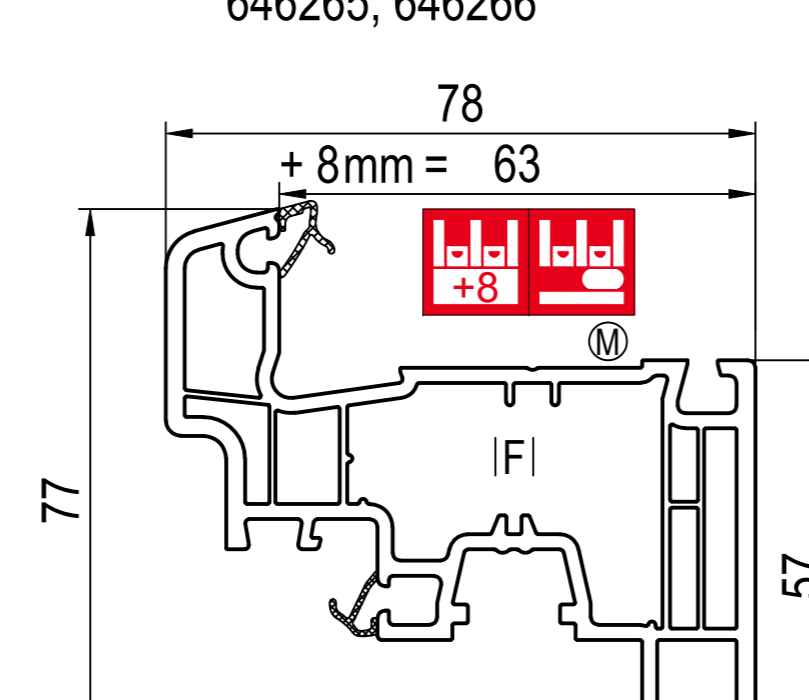
■ 150x030000098 (CL)
IA| 650016, 650321
FI| 249014, 249015, 249016, 259105, 259106, 259107
IP| 249313, 259304
IQ| 227300, 227303, 227305
IU| 249058, 249060, 269060
IV| 646072 + IX| 446071



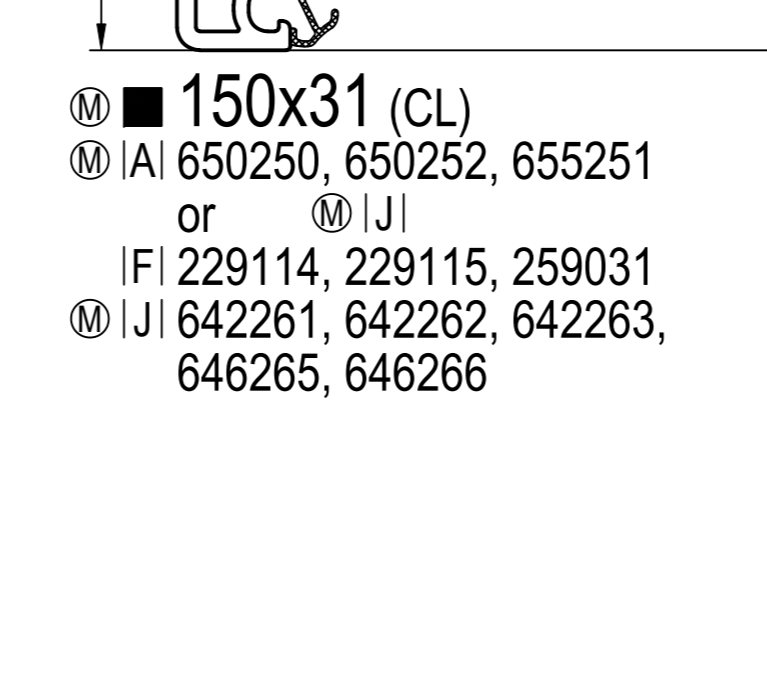
■ 150x10 (CL)
IA| 650016, 650321
FI| 229045
PI| 259304, 259310
IQ| 227300, 227303, 227305



■ 150x20 (CL) -> 150x68
IA| 650250, 650252, 655251
or
IA| 259020, 259021, 259026, 289021
FI| 642261, 642262, 642263, 646265, 646266
IP| 259450



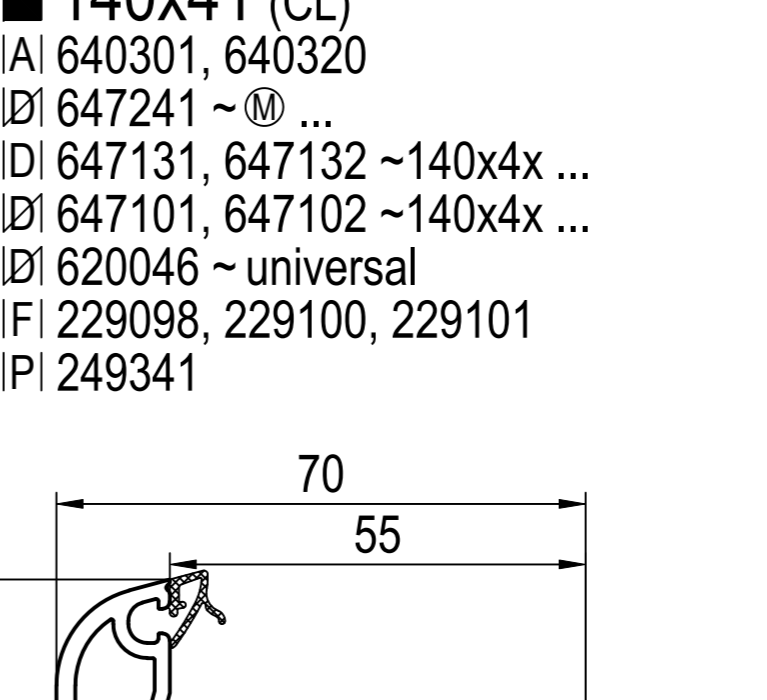
■ 150x27 (CL) -> 140x48
IA| 650250, 650252, 655251, 680250, 685251 or
IA| 259020, 259021, 259026, 289021
FI| 642261, 642262, 642263, 646265, 646266



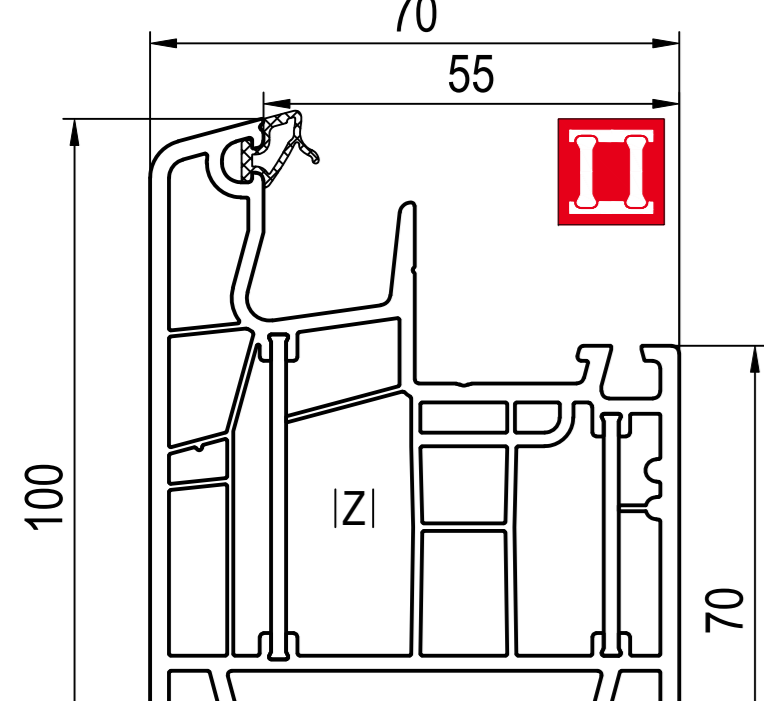
■ 150x31 (CL)
IA| 650250, 650252, 655251
or
IA| 229114, 229115, 259031
FI| 642261, 642262, 642263, 646265, 646266



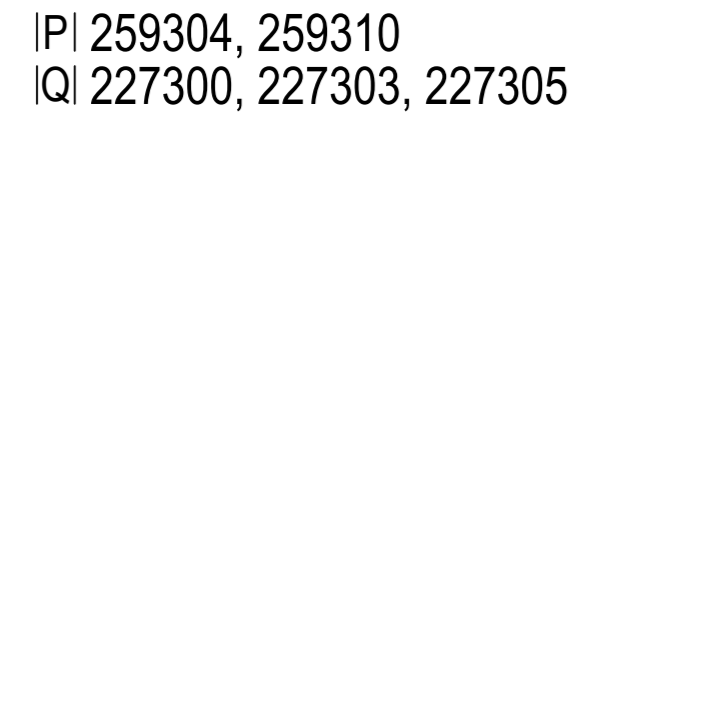
■ 140x47 (RL)
IA| 640301, 640320
DI| 647241 ~ ...
DI| 647131, 647132 ~140x4x ...
DI| 647101, 647102 ~140x4x ...
DI| 620046 ~ universal
FI| 229098, 229100, 229101



■ 140x47 (RL)
IA| 640301, 640320
DI| 647241 ~ ...
DI| 647131, 647132 ~140x4x ...
DI| 647101, 647102 ~140x4x ...
DI| 620046 ~ universal
FI| 229098, 229100, 229101



■ 050x04 (CL)
IA| 650016, 650321
IH| 685058
IP| 249314, 259304
IQ| 227300, 227303, 227305
IU| 249058, 249060, 269060
IV| 656078
IZ| 650290



■ 150x10 (CL)
IA| 650016, 650321
FI| 229045
PI| 259304, 259310
IQ| 227300, 227303, 227305



■ 150x20 (CL) -> 150x68
IA| 650250, 650252, 655251
or
IA| 259020, 259021, 259026, 289021
FI| 642261, 642262, 642263, 646265, 646266
IP| 259450



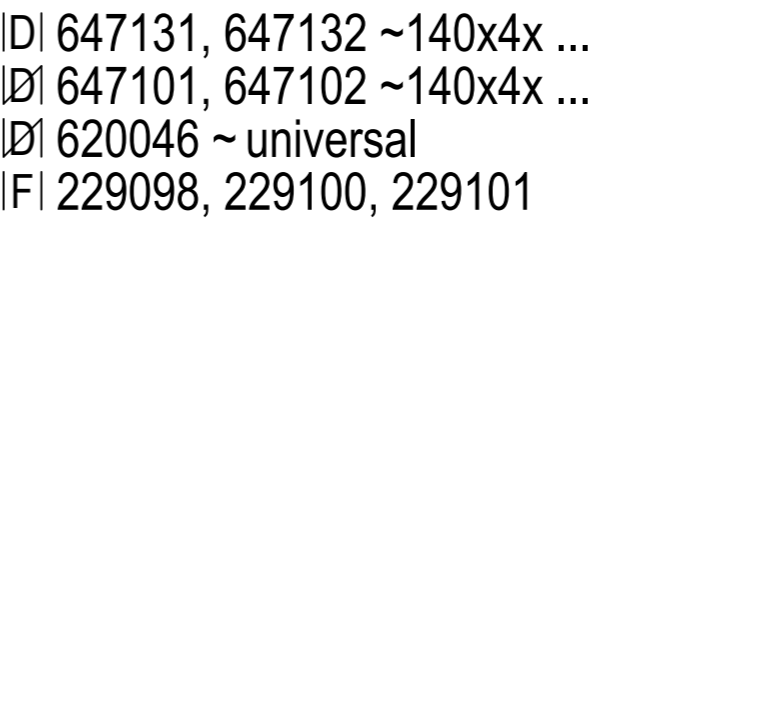
■ 150x27 (CL) -> 140x48
IA| 650250, 650252, 655251, 680250, 685251 or
IA| 259020, 259021, 259026, 289021
FI| 642261, 642262, 642263, 646265, 646266



■ 150x31 (CL)
IA| 650250, 650252, 655251
or
IA| 229114, 229115, 259031
FI| 642261, 642262, 642263, 646265, 646266



■ 140x47 (RL)
IA| 640301, 640320
DI| 647241 ~ ...
DI| 647131, 647132 ~140x4x ...
DI| 647101, 647102 ~140x4x ...
DI| 620046 ~ universal
FI| 229098, 229100, 229101



■ 140x47 (RL)
IA| 640301, 640320
DI| 647241 ~ ...
DI| 647131, 647132 ~140x4x ...
DI| 647101, 647102 ~140x4x ...
DI| 620046 ~ universal
FI| 229098, 229100, 229101

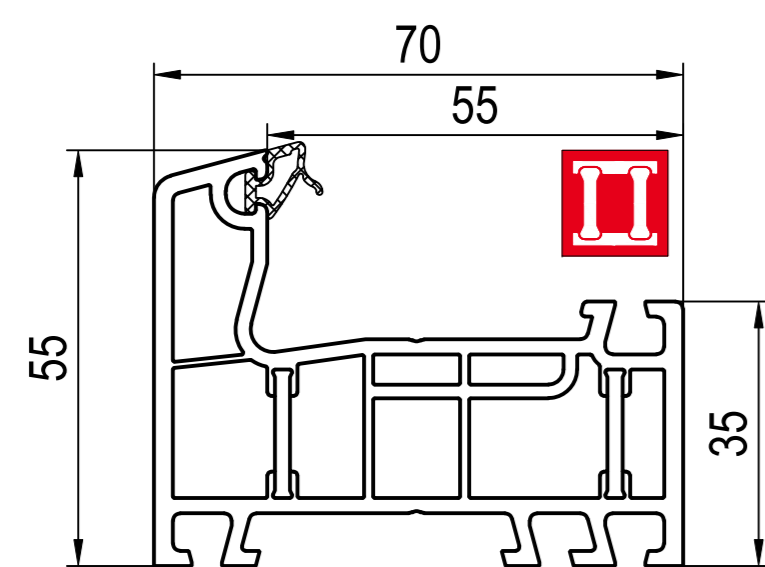
- Ⓜ Bonding of pane Option
- not laminated
- laminated
- IA| Spacer
- CI| End caps
- DI| Connector
- DI| Connector without sticks
- FI| Reinforcements
- HI| Installation / mounting anchor
- J| Bonding of pane
- PI| aluskin Aluminium shells
- QI| Aluminium step protection
- UI| Aluminium threshold
- VI| Connection for threshold
- WI| Mullion coupler
- XI| Gaskets
- ZI| Special accessories

-> for

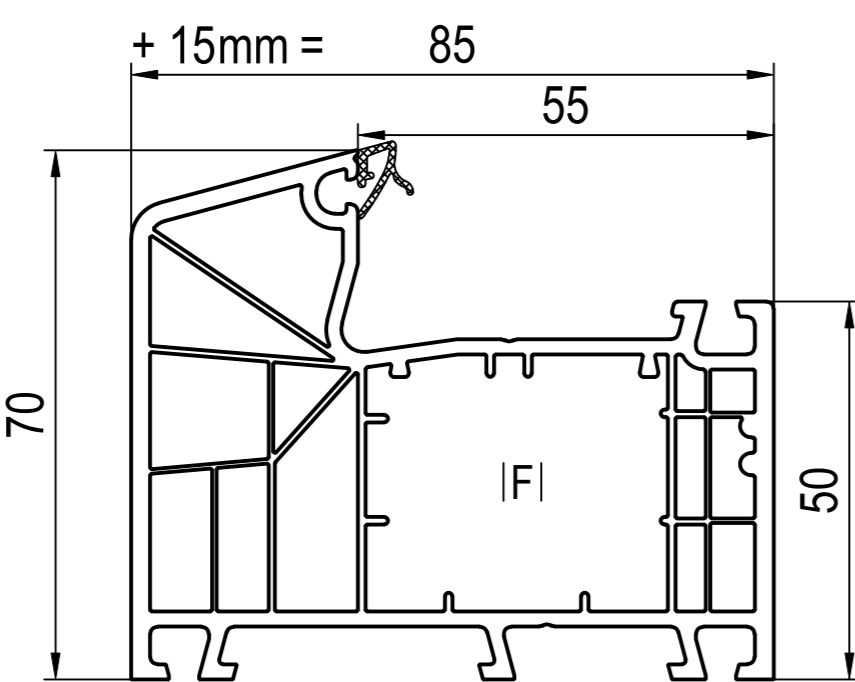
(CL) Classic-line
(RL) Round-line

bl black
wh white

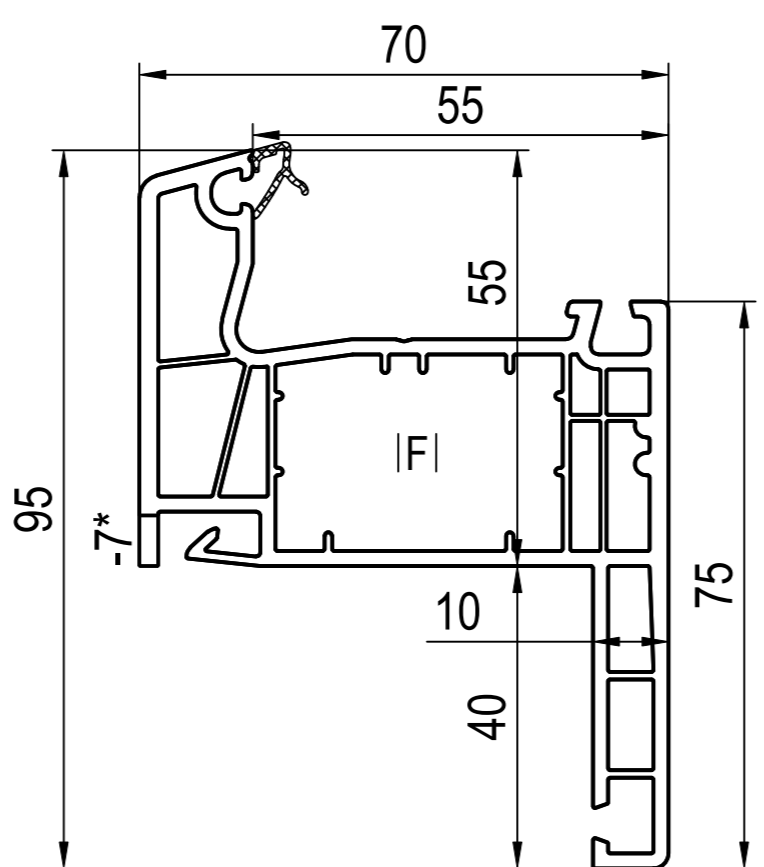
Main Profiles
Frame



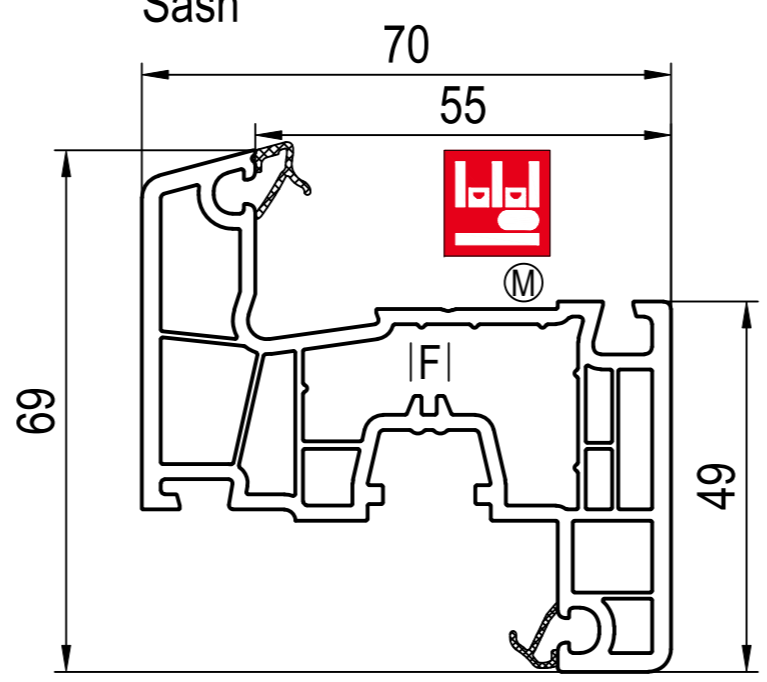
040x02 (CL)
AI 640301, 640320
PI 259304
QI 227300, 227303, 227305
UI 249058, 249060, 269060
VI 646022 + IXI 446071



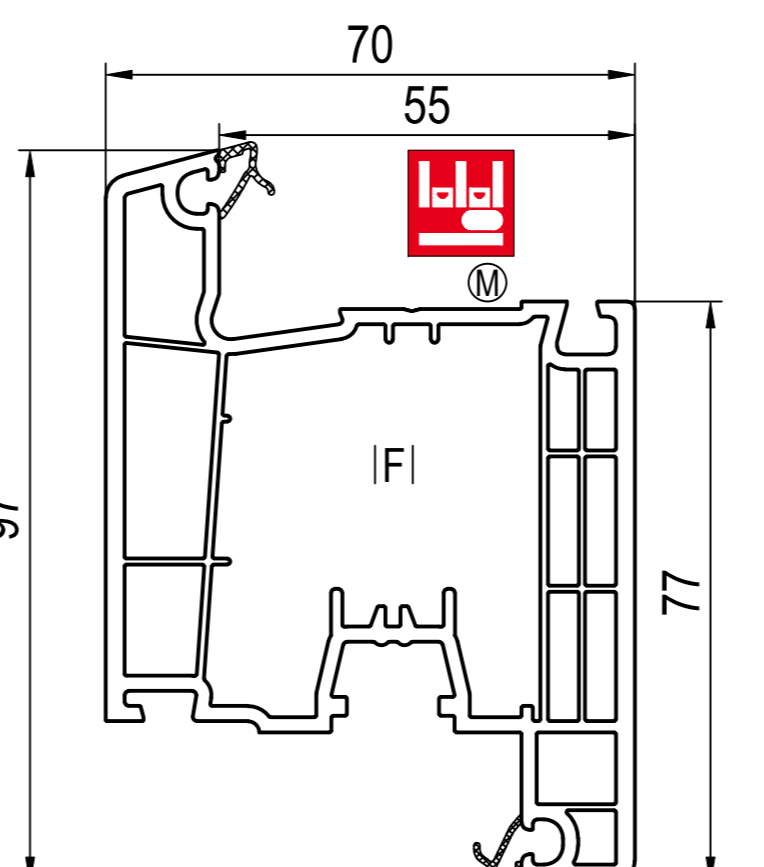
140x00 (CL)
AI 640301, 640320
FI 229023, 229024, 229025, 229026, 229029, 229030, 249010, 249026



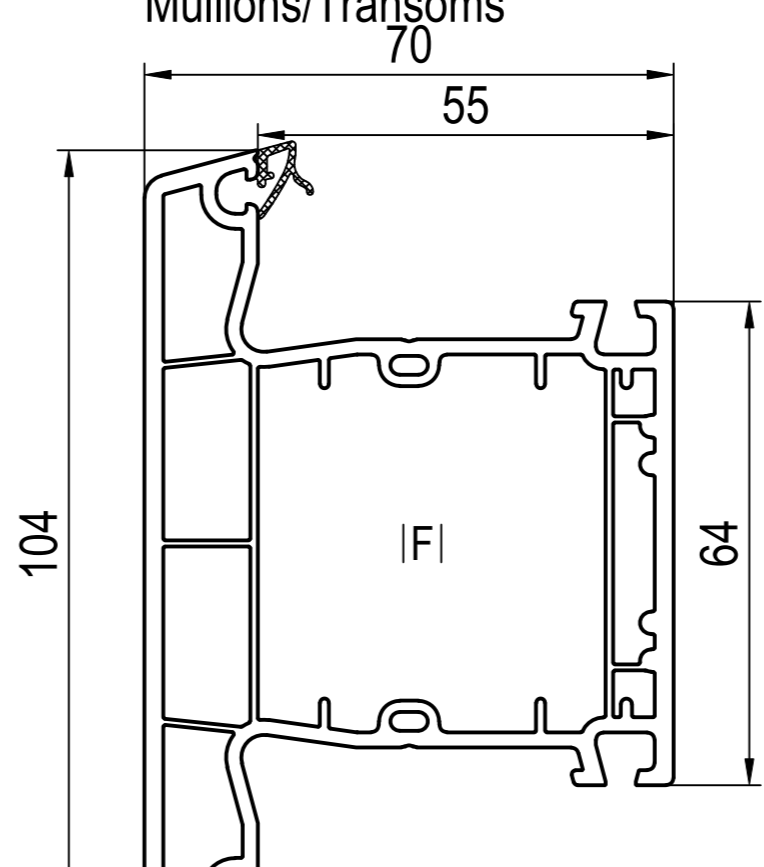
140x15 (CL)
140x17 (CL)
AI 640301, 640320
FI 229098, 229100, 229101, 249004
PI 259304
QI 227300, 227303, 227305



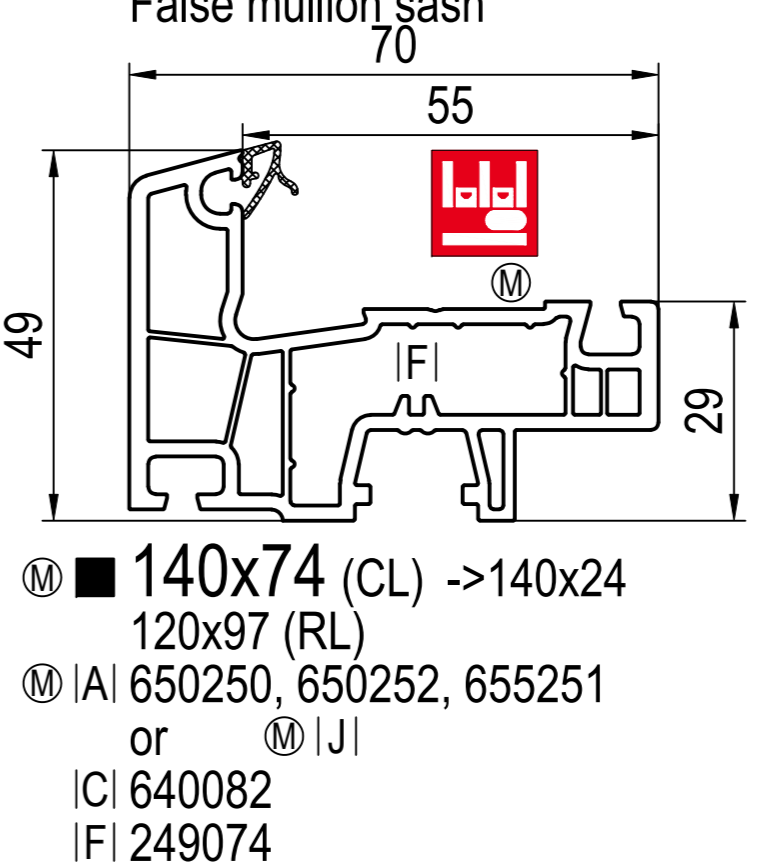
140x24 (CL) -> 140x74
AI 650250, 650252, 655251 or UI JI
FI 259024, 259028
UI 642261, 642262, 642263, 646265, 646266
PI 249424



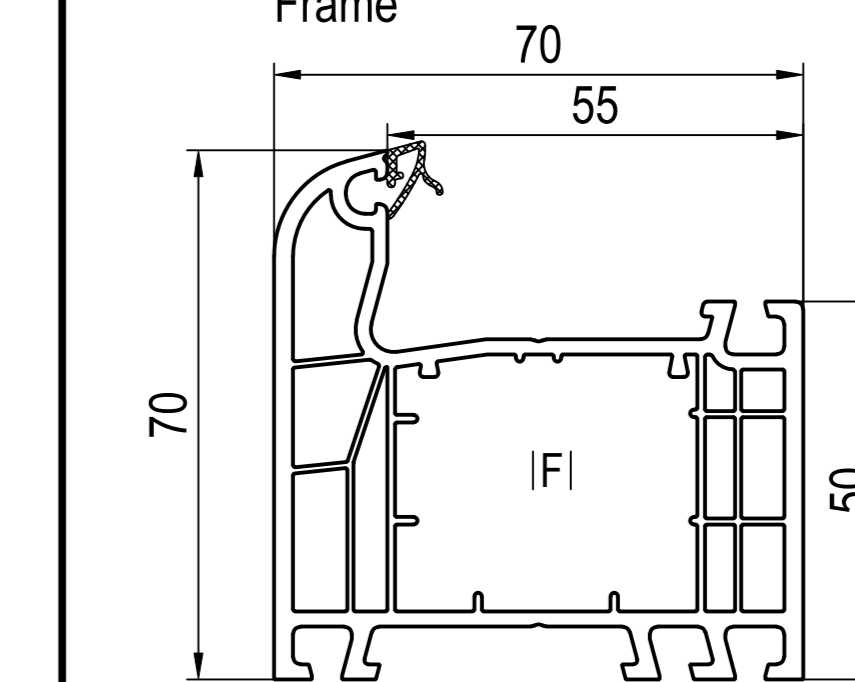
140x28 (CL) -> 140x78
AI 650250, 650252, 655251 or UI JI
FI 209192, 209193
UI 642261, 642262, 642263, 646265, 646266
PI 249428



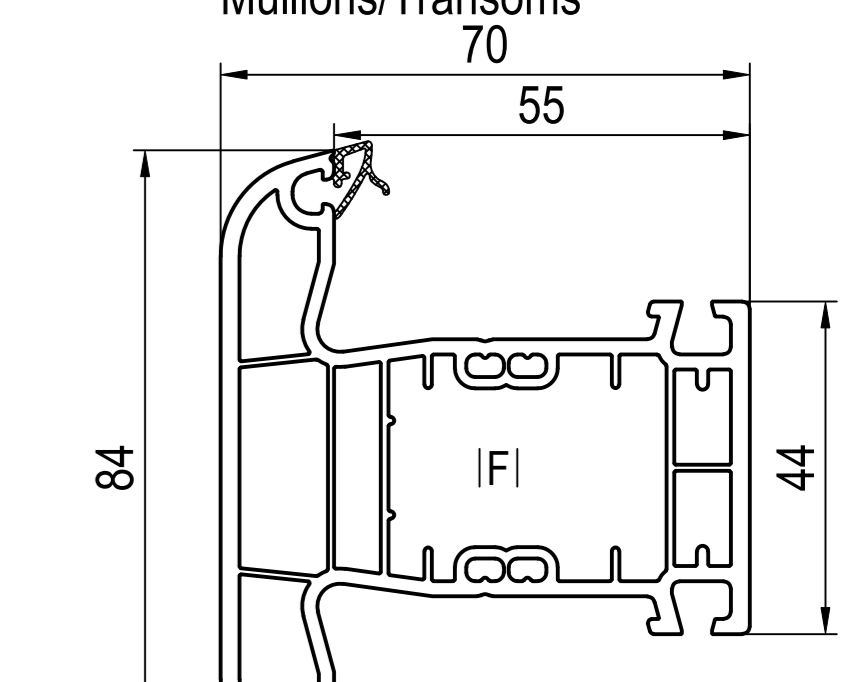
140x45 (CL)
AI 640301, 640320
DI 647245 ~ UI ...
DI 677133 ~ 140x4x ...
DI 647136, 677103 ~ 140x4x ...
DI 640046 ~ universal
FI 249034, 249035
PI 249343
UI 249058, 249060, 269060
VI 646075



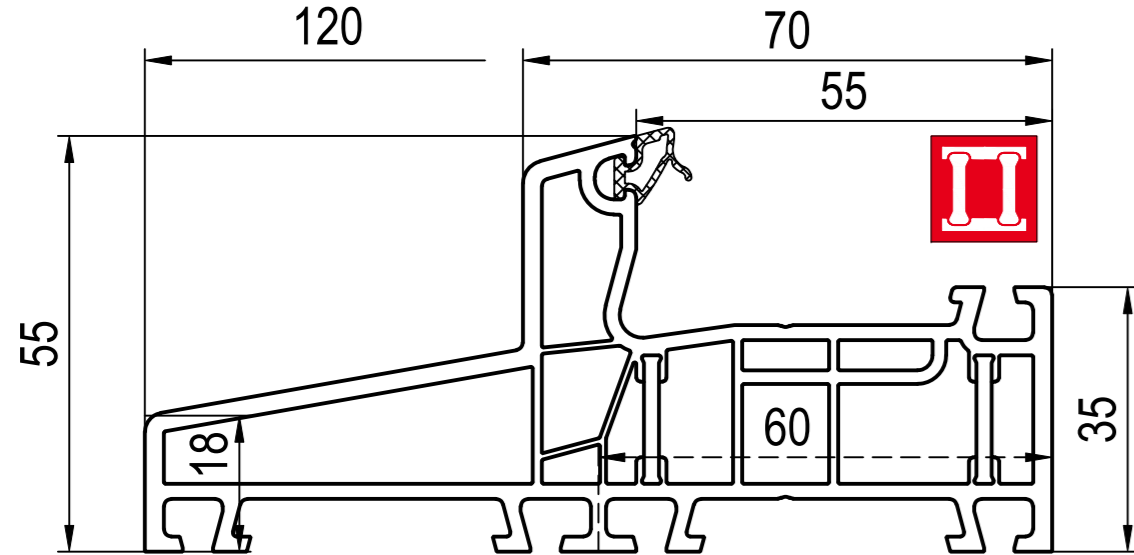
140x74 (CL) -> 140x24
120x97 (RL)
AI 650250, 650252, 655251 or UI JI
CI 640082
FI 249074
UI 642261, 642262, 642263, 646265, 646266



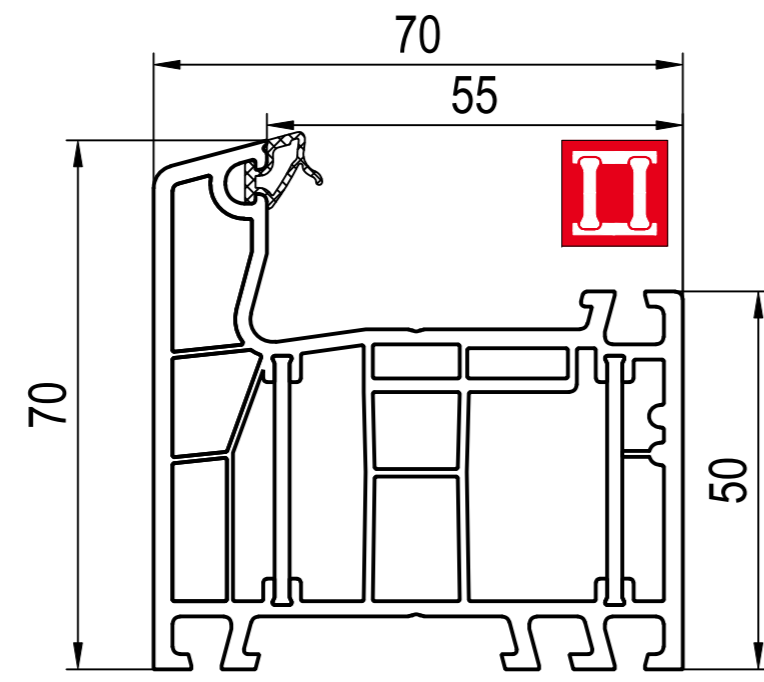
140x08 (RL)
AI 640301, 640320
FI 229023, 229024, 229025, 229026, 229029, 229030, 229112, 229113, 229121, 249026
QI 247300
UI 249058, 249060, 269060
VI 646070 + IXI 446071



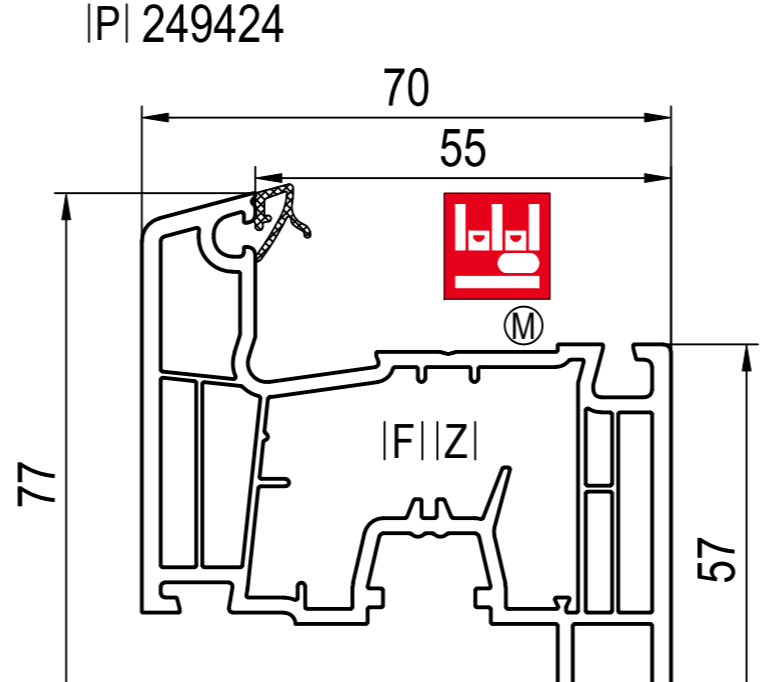
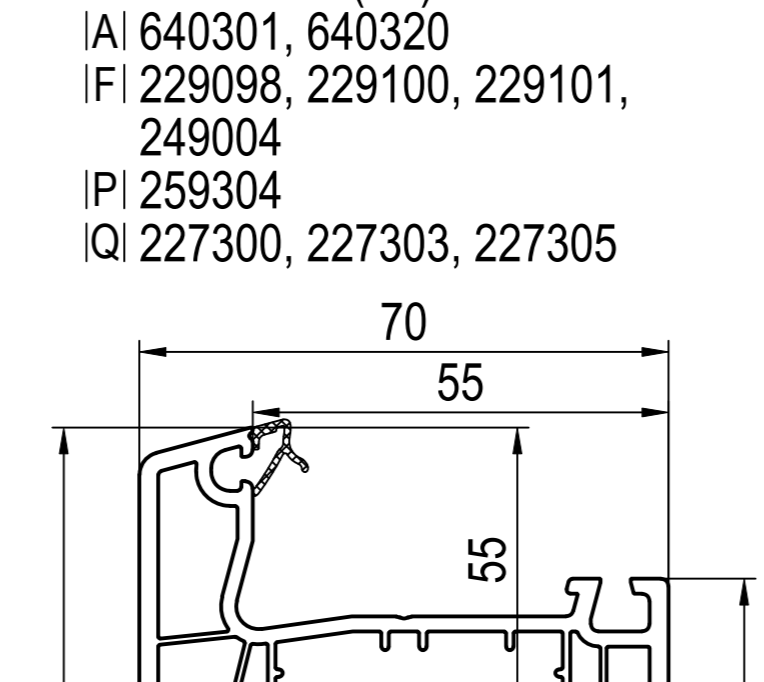
140x47 (RL)
AI 640301, 640320
DI 647241 ~ UI ...
DI 647131, 647132 ~ 140x4x ...
DI 647101, 647102 ~ 140x4x ...
DI 620046 ~ universal
FI 229098, 229100, 229101
UI 249058, 249060, 269060
VI 646073



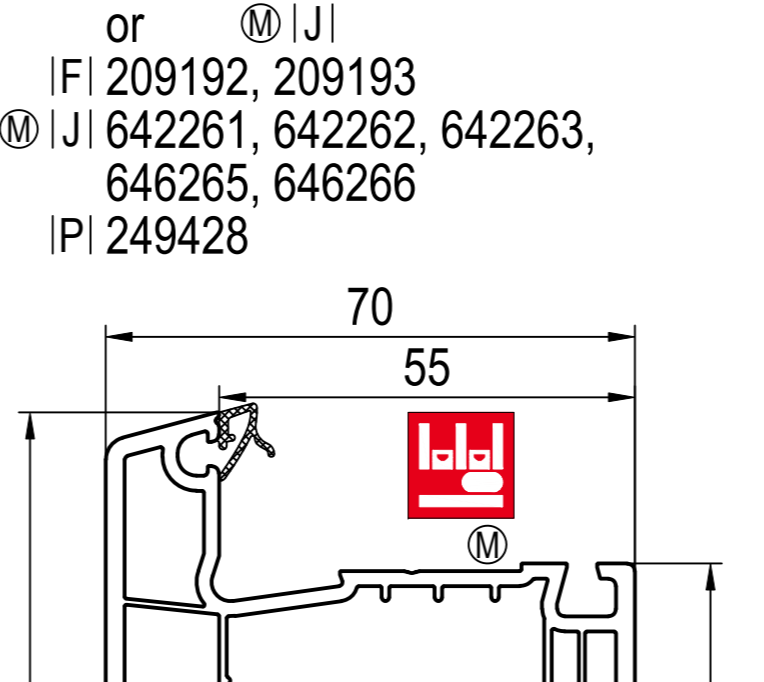
040x92 (CL)(MB)
AI 640301, 640320
QI 227300, 227303
UI 249058
VI 646079



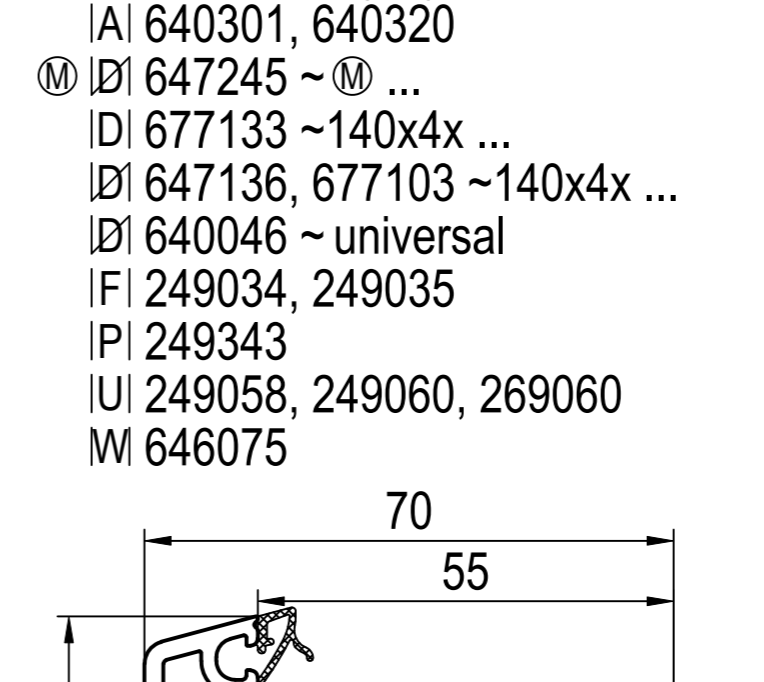
040x07 (CL)
AI 640301, 640320
PI 249312, 259304
QI 227300, 227303, 227305
UI 249058, 249060, 269060
VI 646071 + IXI 446071



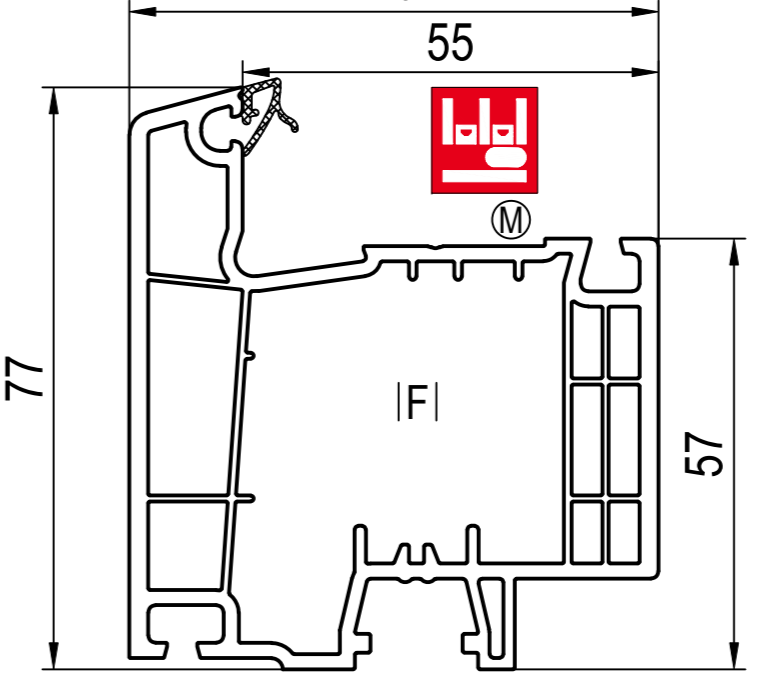
140x20 (CL)
AI 650250, 650252, 655251 or UI JI
FI 249016, 249017, 259020, 259021, 259026, 289021
UI 642261, 642262, 642263, 646265, 646266
PI 249450



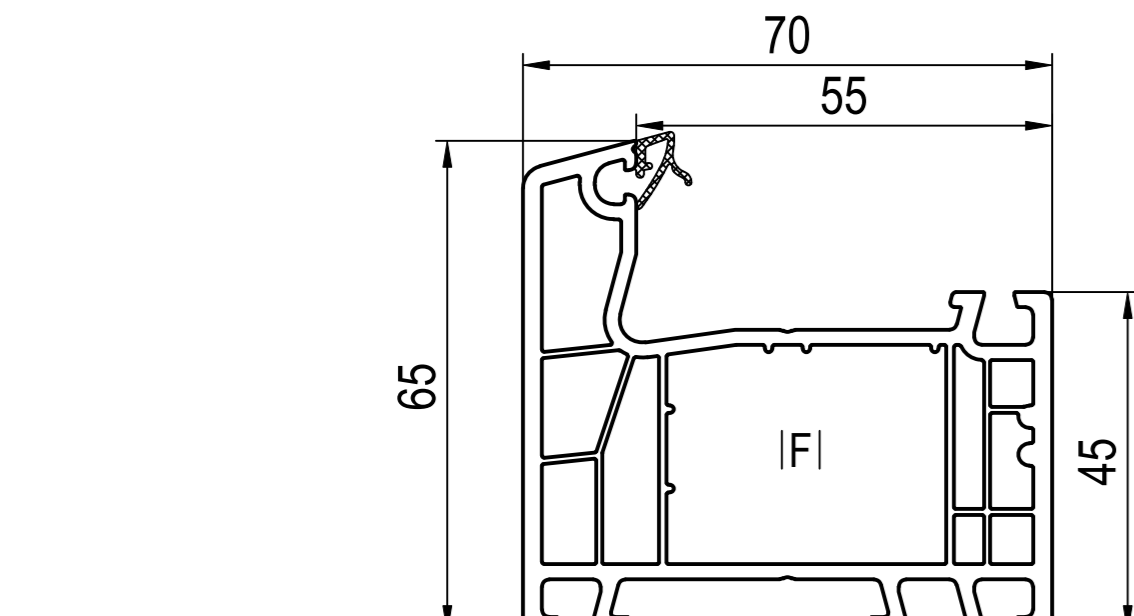
140x29 (CL)
AI 650250, 650252, 655251 or UI JI
FI 209192, 209193
UI 642261, 642262, 642263, 646265, 646266



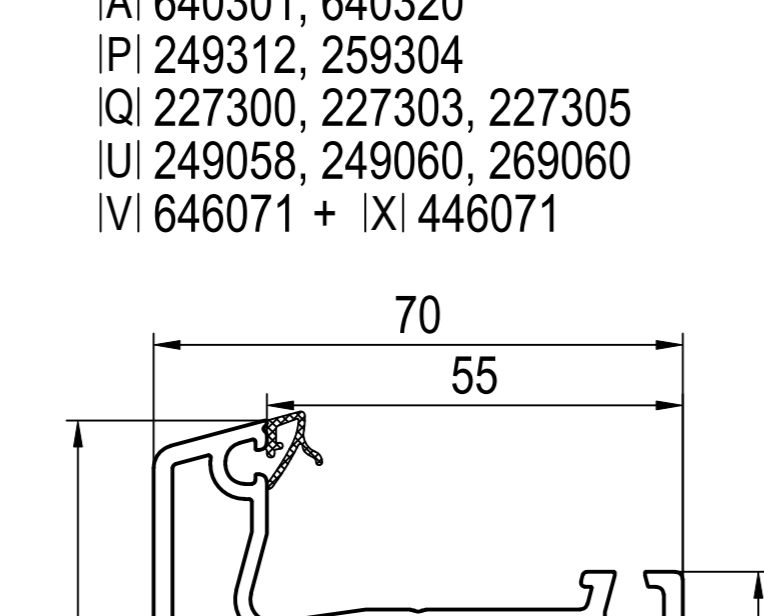
140x41 (CL)
AI 640301, 640320
DI 647241 ~ UI ...
DI 647131, 647132 ~ 140x4x ...
DI 647101, 647102 ~ 140x4x ...
DI 620046 ~ universal
FI 229098, 229100, 229101
PI 249341
UI 249058, 249060, 269060
VI 646074



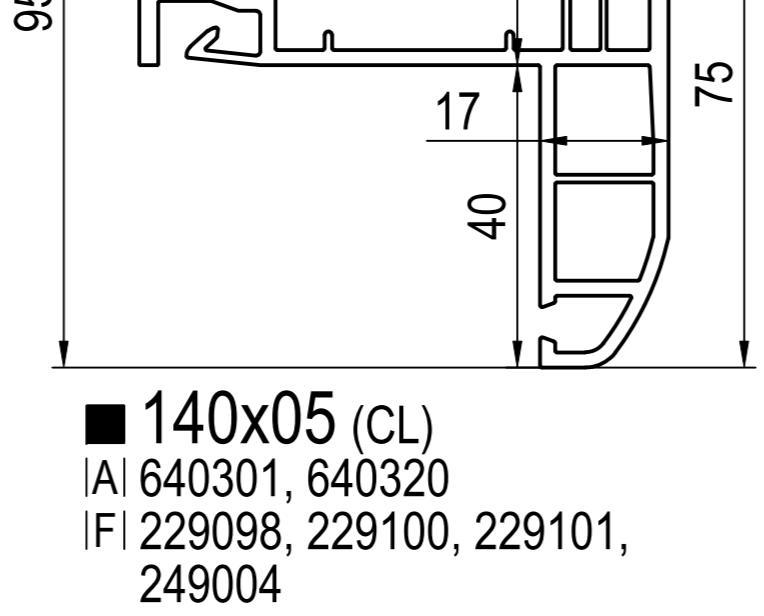
140x78 (CL) -> 140x28
120x97 (RL)
AI 650250, 650252, 655251 or UI JI
CI 640082
FI 249078
UI 642261, 642262, 642263, 646265, 646266



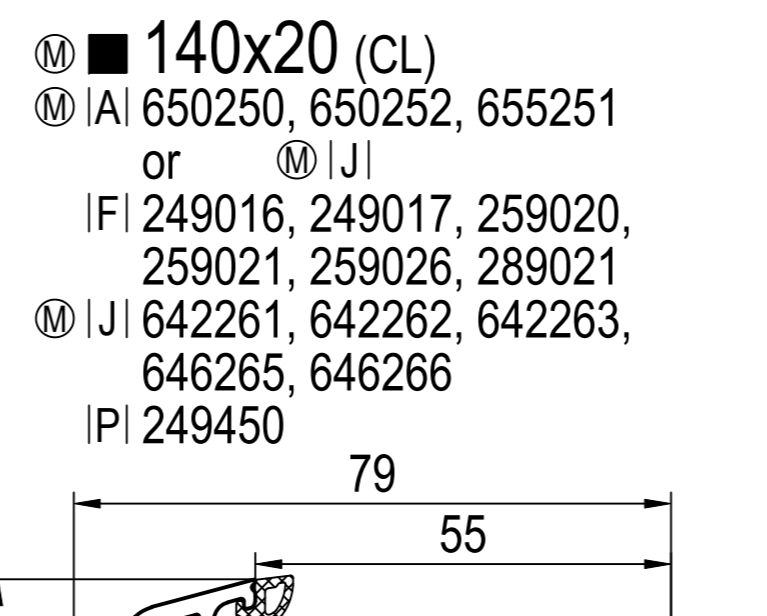
140x01 (CL)
AI 640301, 640320
FI 229023, 229024, 229025, 229026, 229029, 229030, 249026
PI 259304
QI 227300, 227303, 227305



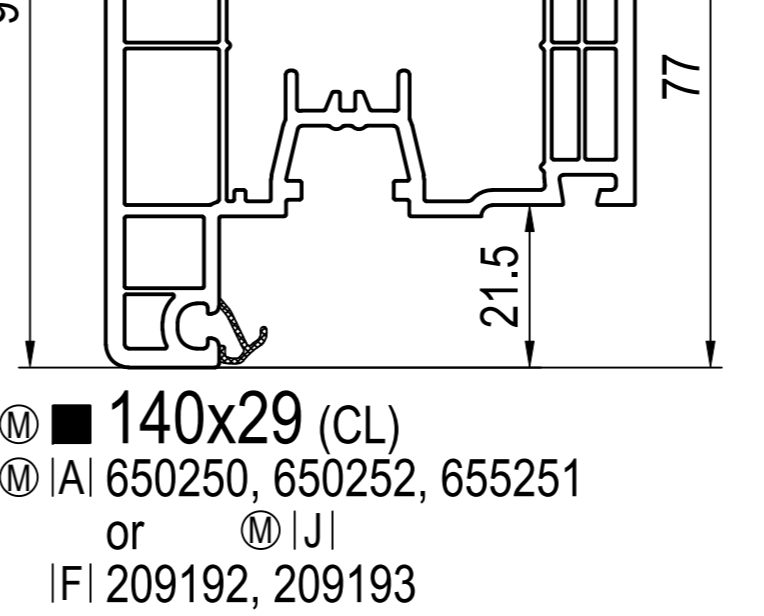
140x05 (CL)
AI 640301, 640320
FI 229098, 229100, 229101, 249004
PI 259304
QI 227300, 227303, 227305



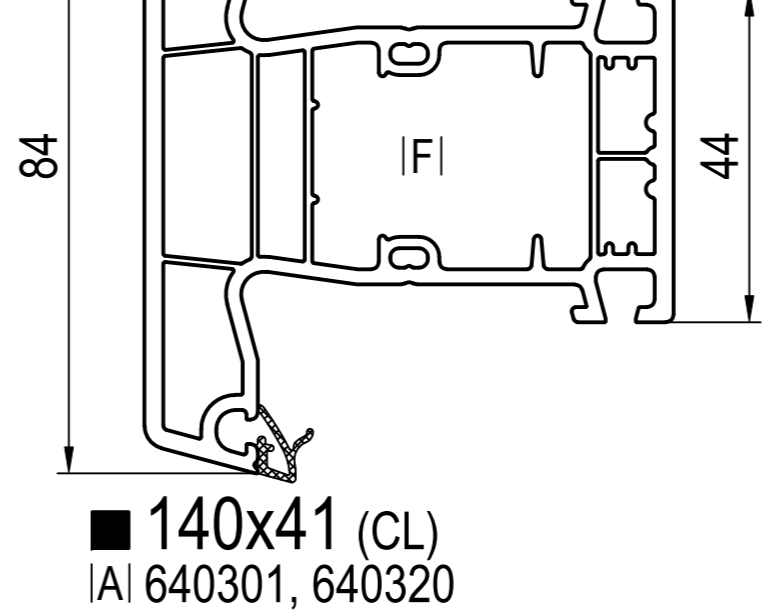
140x070000098 (CL)
AI 640301, 640320
FI 249014, 249015, 249016, 259105, 259106, 259107
PI 249312, 259304
QI 227300, 227303, 227305
UI 249058, 249060, 269060
VI 646071 + IXI 446071



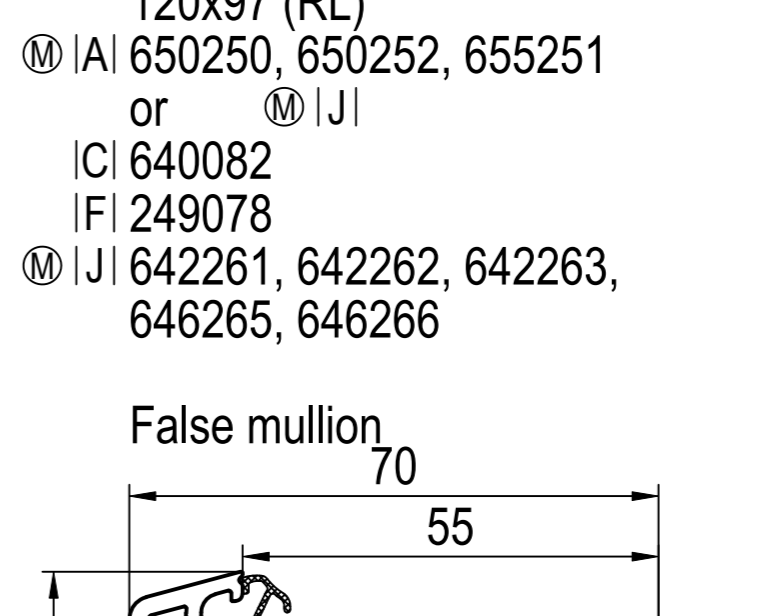
140x26 (CL)
AI 640301, 640320
FI 229023, 229024, 229025, 229026, 229027, 229028, 249026



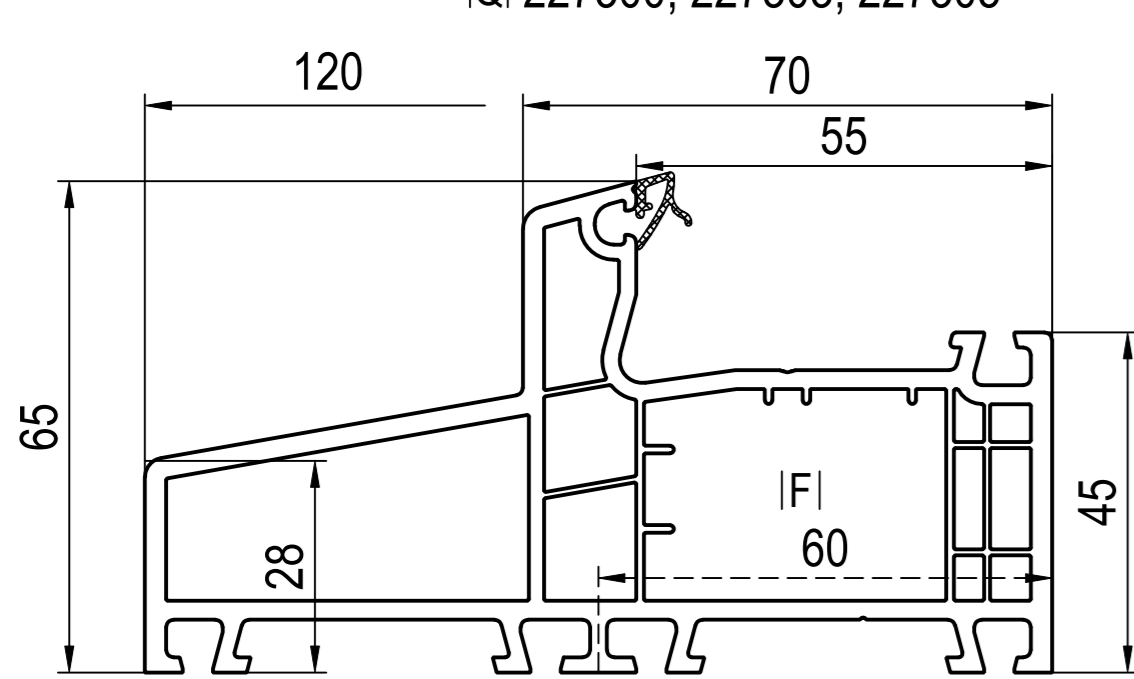
140x33 (CL)
AI 650250, 650252, 655251 or UI JI
FI 229125, 229126, 229129, 229131
UI 642261, 642262, 642263, 646265, 646266
PI 2494330000098



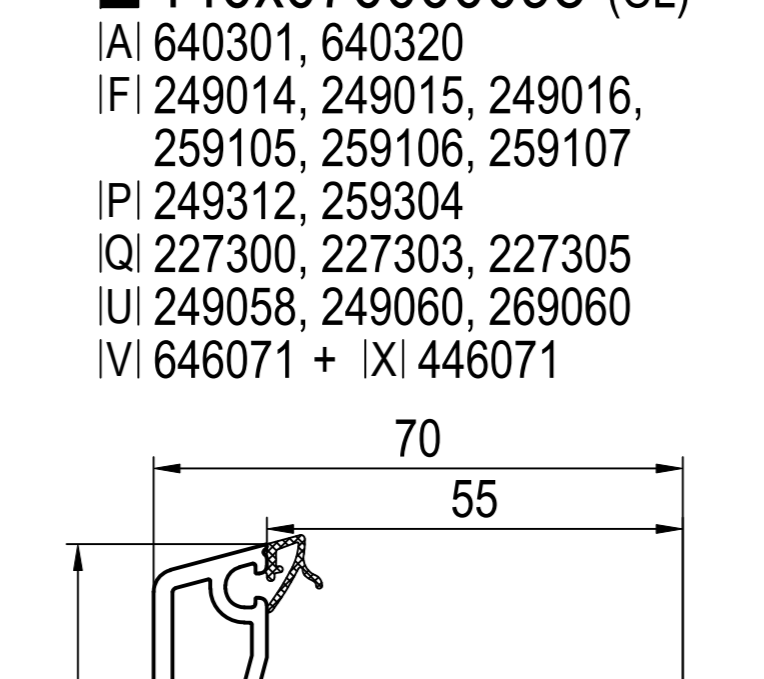
140x46 (CL)
AI 650250, 650252, 655251 or UI JI
DI 647146 ~ UI ...
FI 249046
UI 642261, 642262, 642263, 646265, 646266
PI 249346



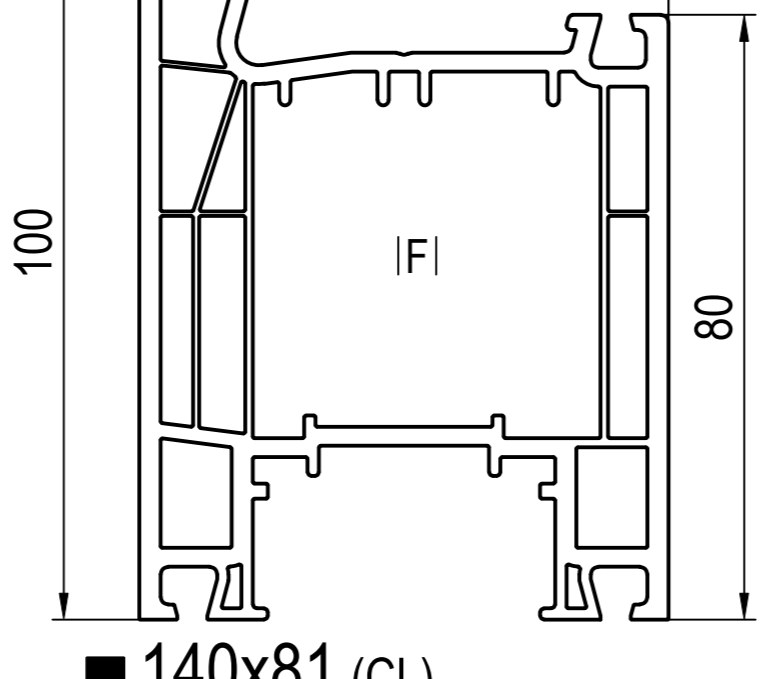
140x66 (CL)
CI 640066
FI 229063
PI 249366
IXI 447340, 449340, 447042, 449042



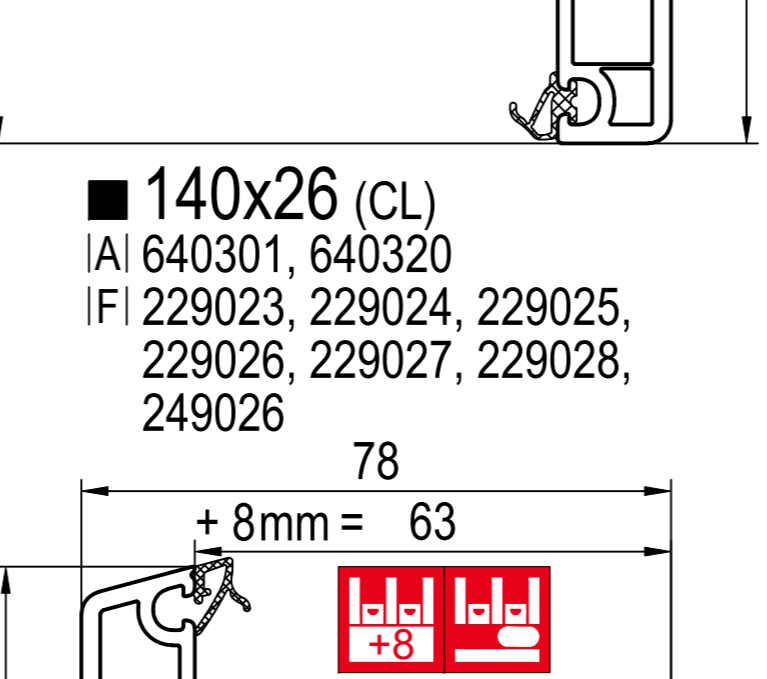
140x91 (CL)(MB)
AI 640301, 640320
FI 249010, 259906
QI 227300, 227303
UI 249058
VI 646076



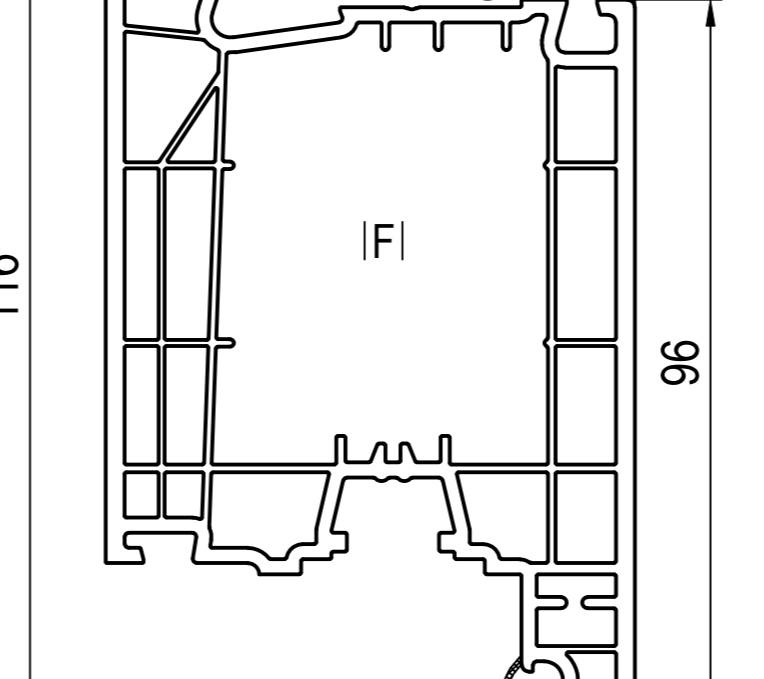
140x03 (CL)
AI 640301, 640320
FI 229017, 229114, 229115, 229120
PI 249313, 259304
QI 227300, 227303, 227305
UI 249058, 249060, 269060
VI 646072 + IXI 446071



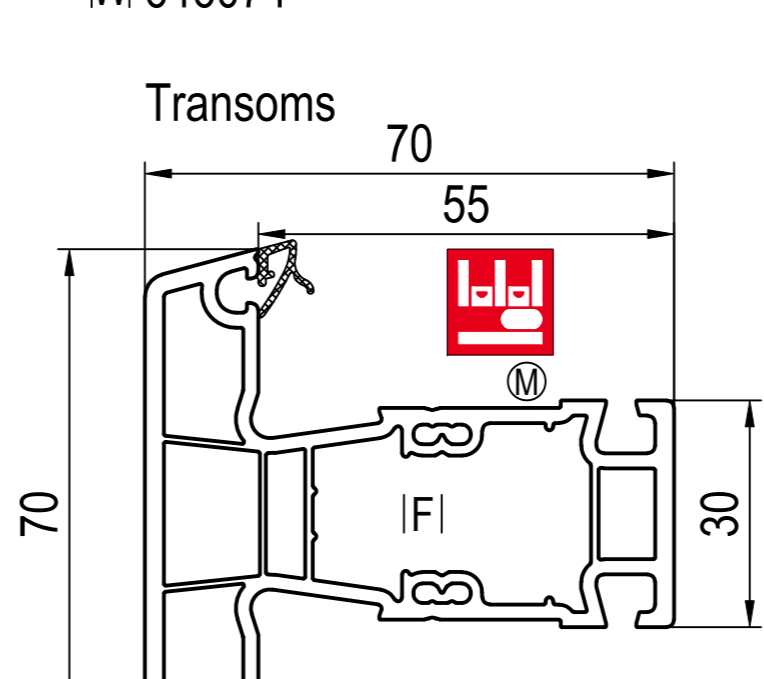
140x81 (CL)
AI 640301, 640320
FI 249034, 249035
QI 227300, 227303, 227305
UI 249314, 259304
UI 249058, 249060, 269060
VI 646078



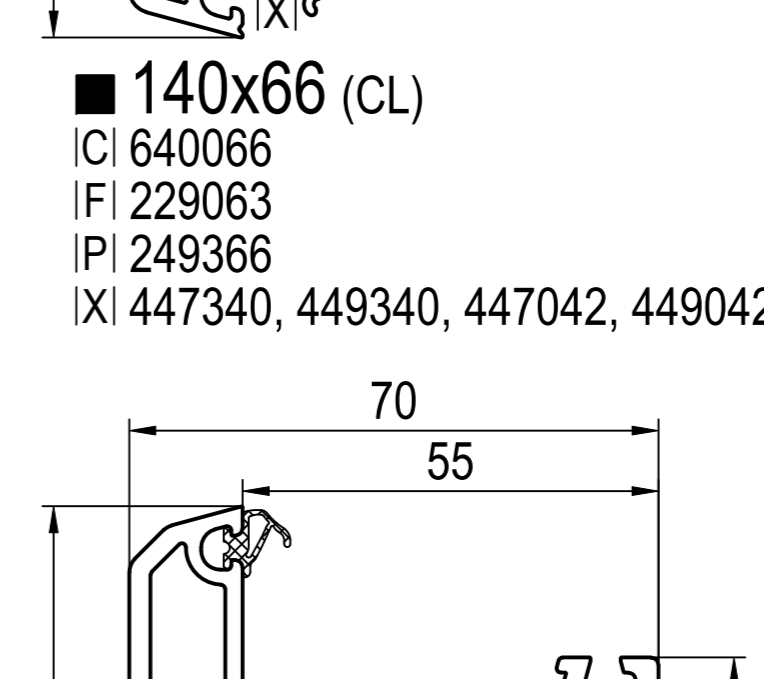
140x27 (CL) -> 140x48
AI 650250, 650252, 655251, 680250, 685251 or UI JI
FI 249016, 249017, 259020, 259021, 259026, 289021
UI 642261, 642262, 642263, 646265, 646266



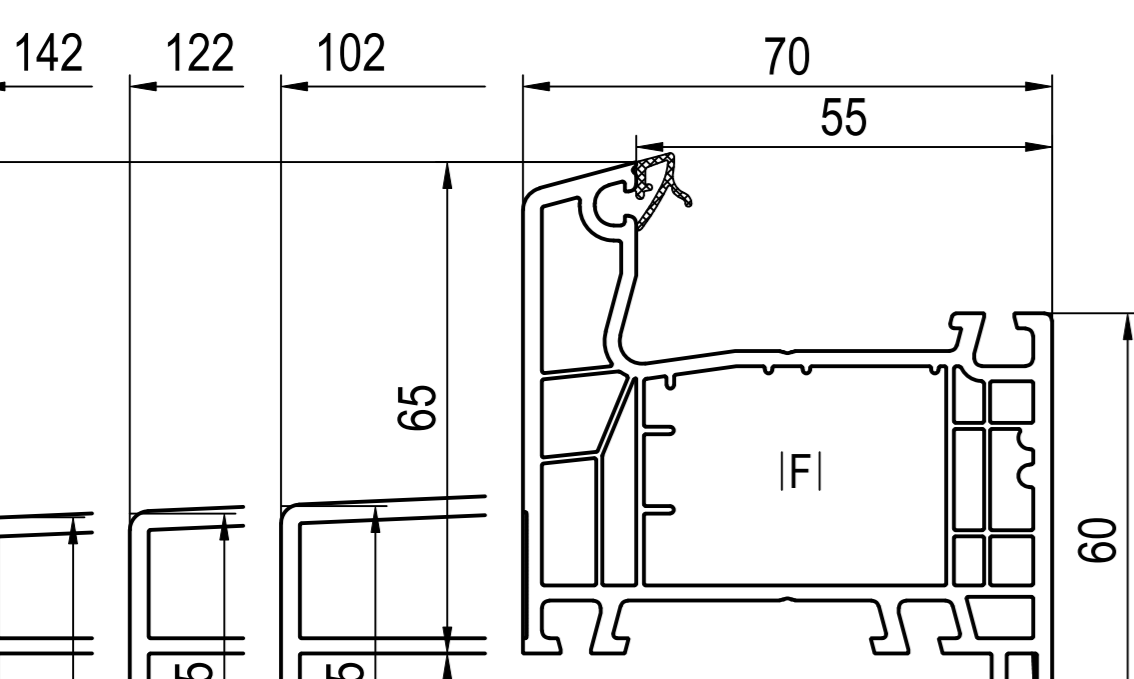
140x35 (CL)
AI 640301, 640320
FI 229125, 229126, 229129, 229131
Mullions/Transoms
DI 627107 ~ 140x4x ...



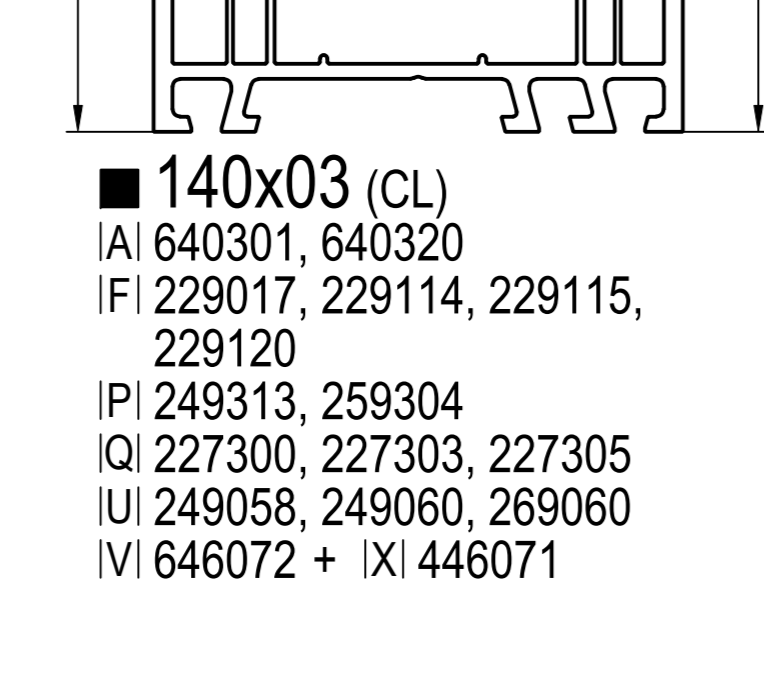
140x48 (CL) -> 140x27, 150x27
AI 650250, 650252, 655251, 680250, 685251 or UI JI
DI 647148 ~ UI ...
FI 249046
UI 642261, 642262, 642263, 646265, 646266



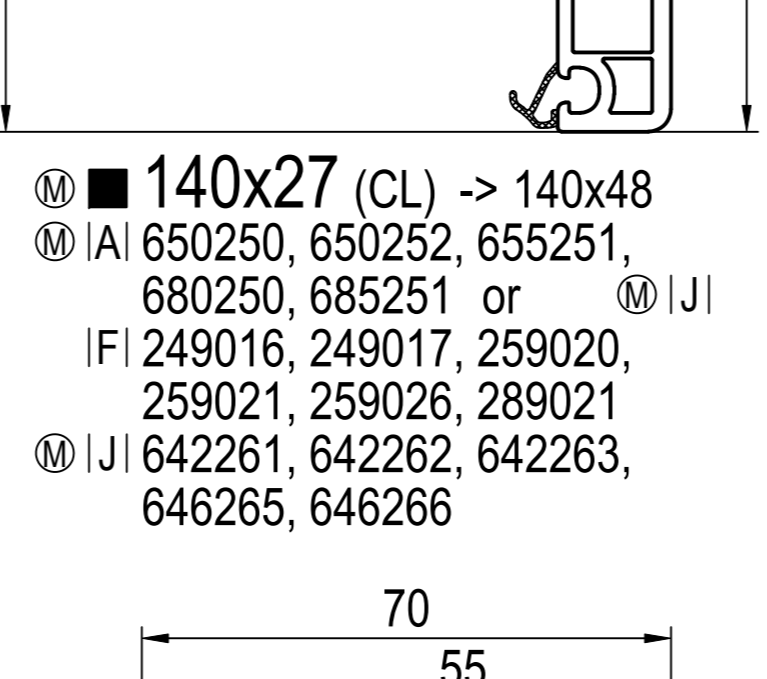
140x67 (SL)
CI 640067
FI 259094
PI 249366
IXI 447340, 449340, 447042, 449042



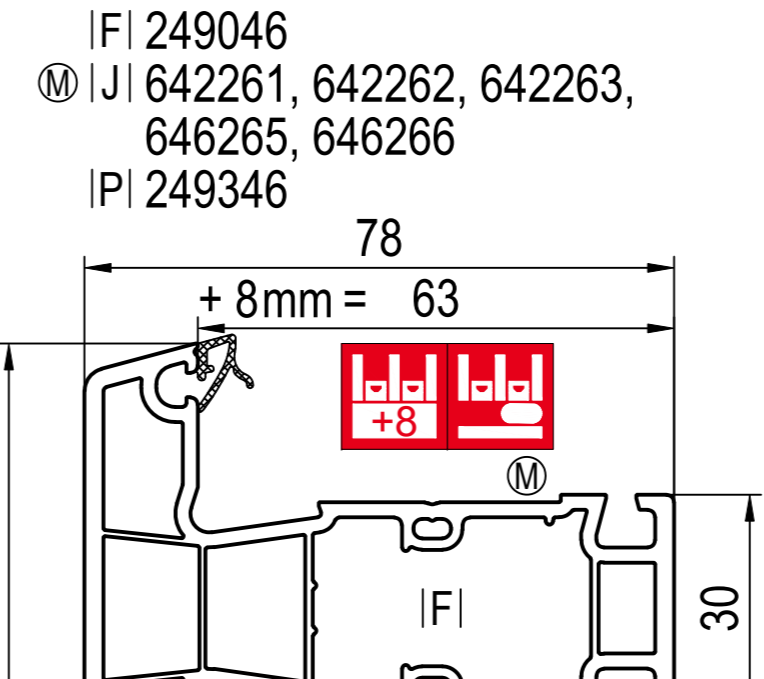
l=70mm 140x12 (CL)(MB)
l=102mm 140x14 (CL)(MB)
l=122mm 140x16 (CL)(MB)
l=142mm 140x18 (CL)(MB)
l=162mm 140x19 (CL)(MB)
AI 640301, 640320
FI 229023, 229024, 229025, 229026, 229029, 229030, 249010, 249026
PI 259304
QI 227300, 227303, -> 140x12: 227305



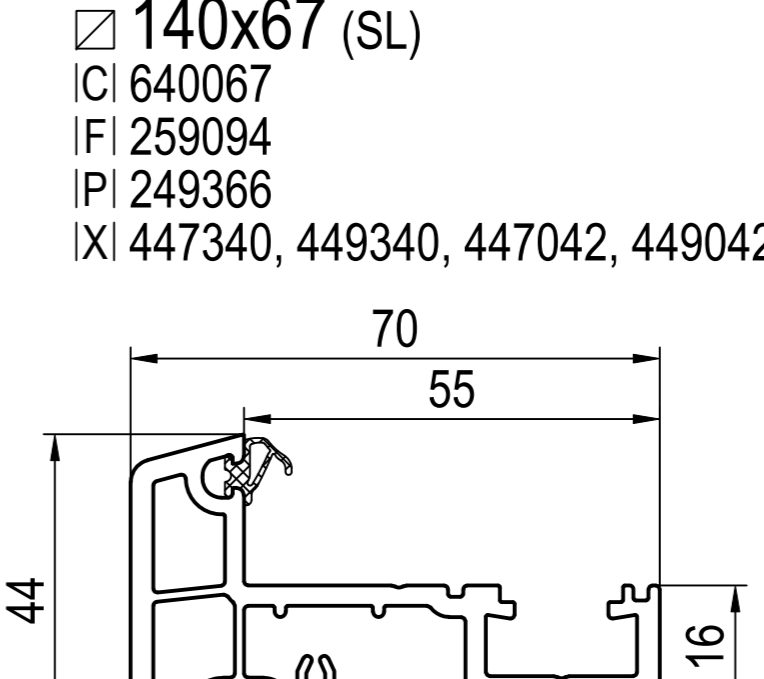
140x09 (CL)
140x090000011 (CL)
AI 640301, 640320
FI 229098, 229100, 229101, 249004
PI 259304
QI 227300, 227303, 227305



140x37 (CL)
AI 640301, 640320
FI 249037

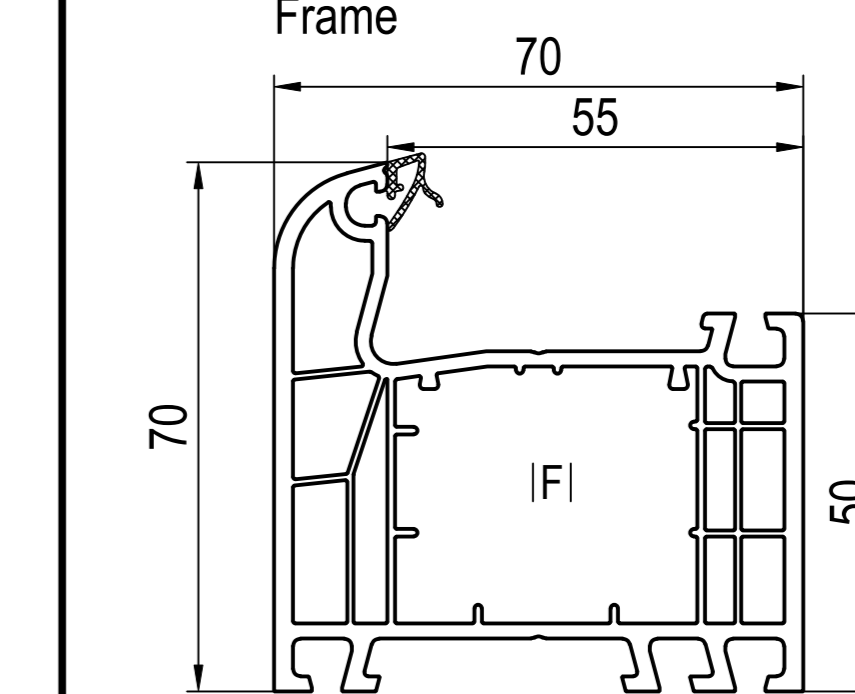


140x65 (CL)
CI 640065
PI 249365
IXI 447340, 449340, 447042, 449042

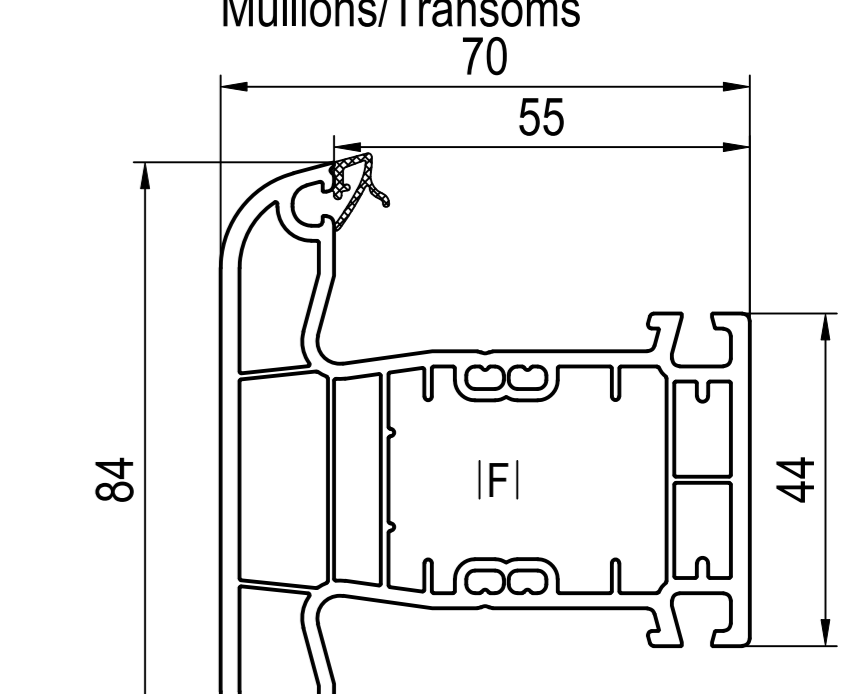


140x38 (RL)
AI 640301, 640320
FI 229135, 229137

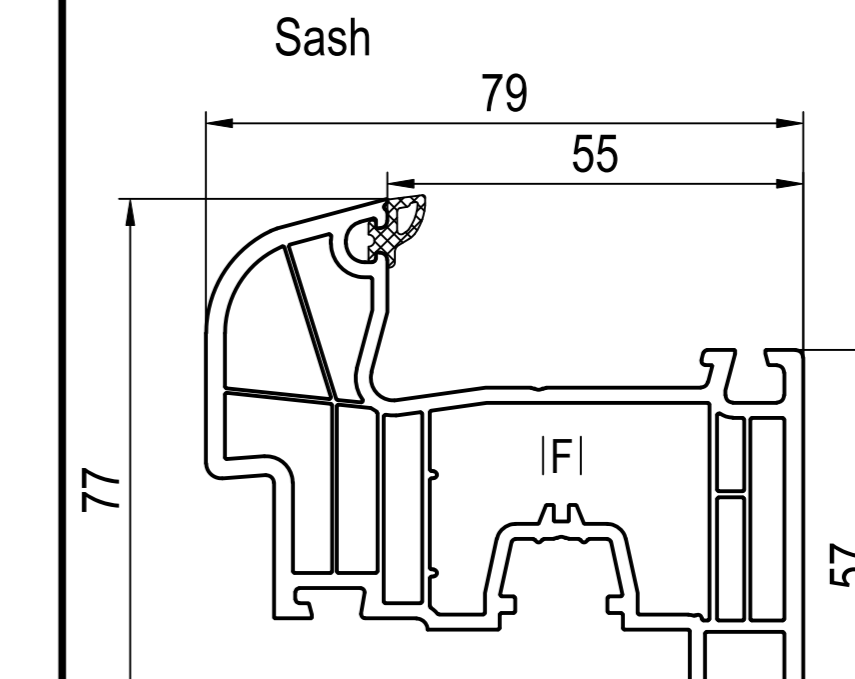
Round-line (RL)



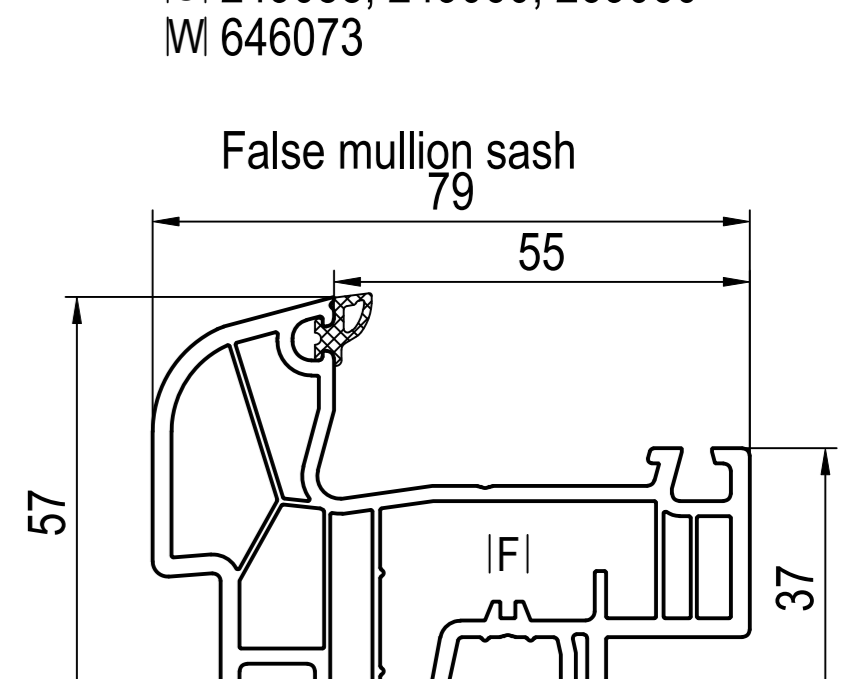
140x08 (RL)
AI 640301, 640320
FI 229023, 229024, 229025, 229026, 229029, 229030, 229112, 229113, 229121, 249026
QI 247300
UI 249058, 249060, 269060
VI 646070 + IXI 446071



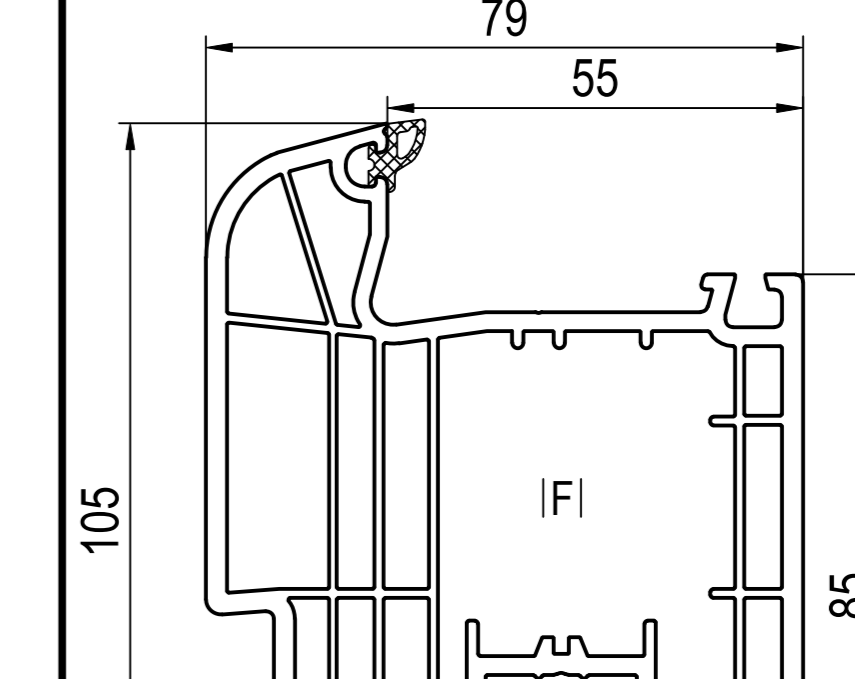
140x47 (RL)
AI 640301, 640320
DI 647241 ~ UI ...
DI 647131, 647132 ~ 140x4x ...
DI 647101, 647102 ~ 140x4x ...
DI 620046 ~ universal
FI 229098, 229100, 229101
UI 249058, 249060, 269060
VI 646073



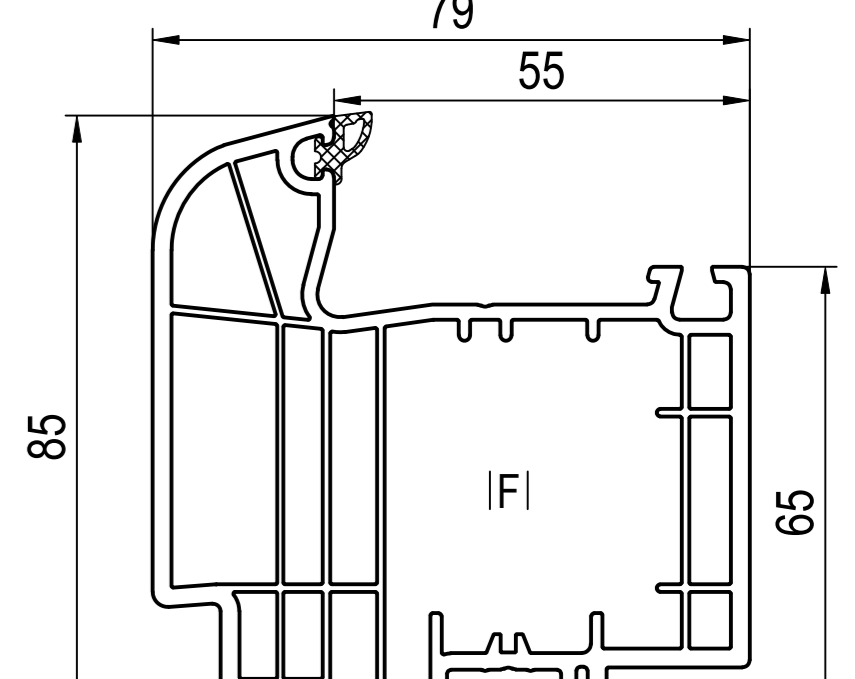
140x22 (RL) -> 140x82
AI 640301, 640320
FI 229023, 229024, 229025, 229026, 249026



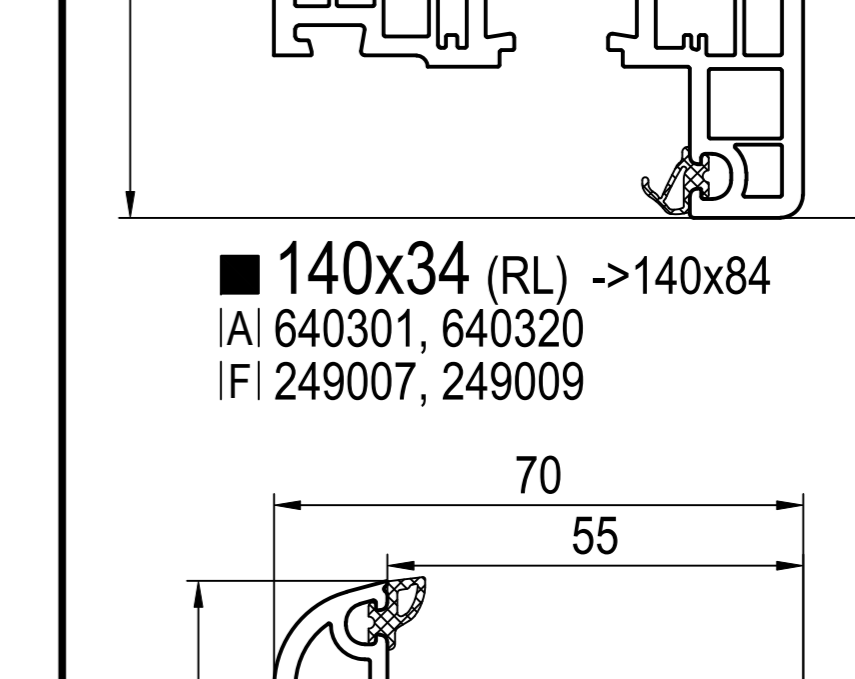
140x82 (RL) -> 140x22
120x97
AI 640301, 640320
CI 640082
FI 229027, 229028



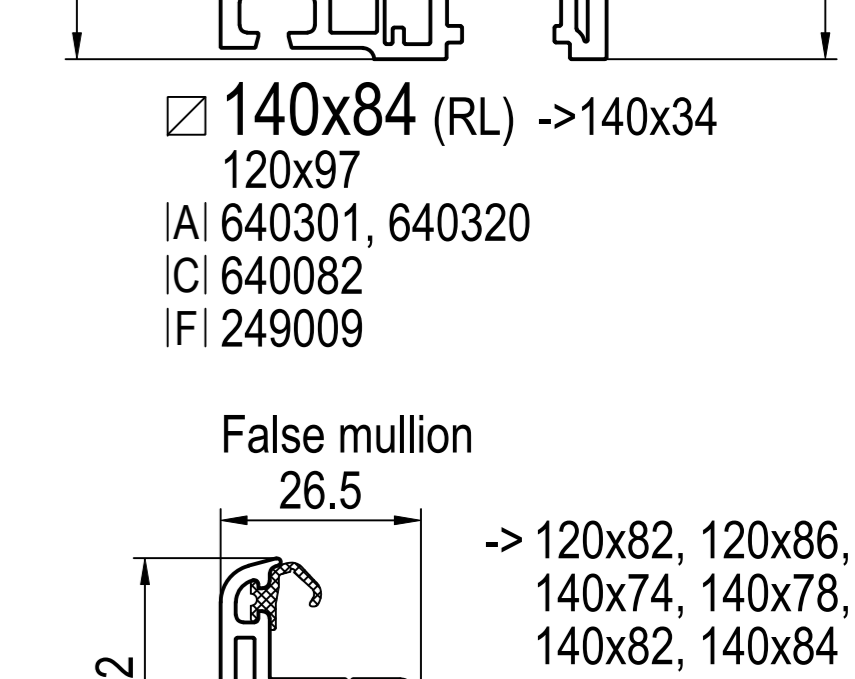
140x34 (RL) -> 140x84
AI 640301, 640320
FI 249007, 249009



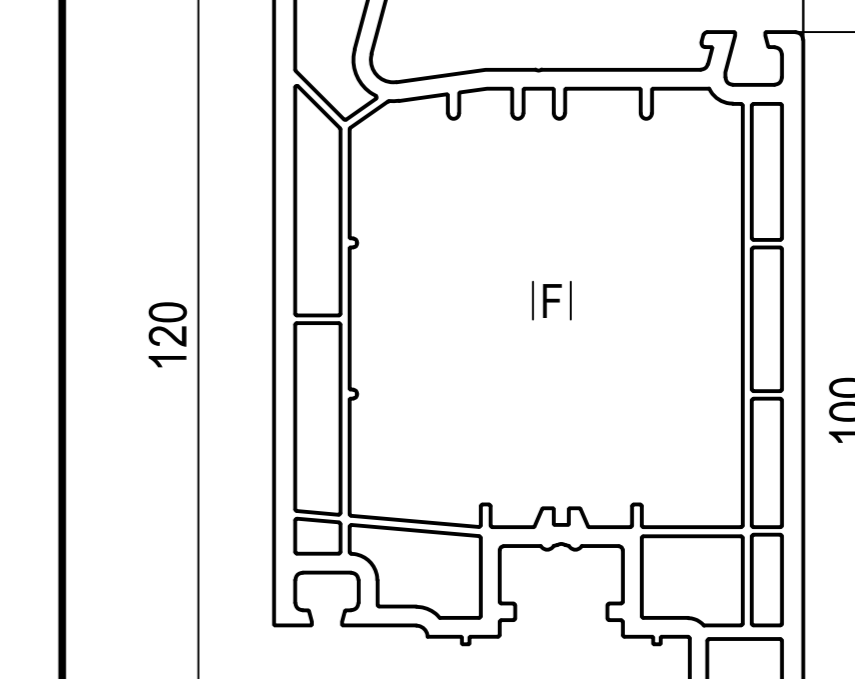
140x84 (RL) -> 140x34
120x97
AI 640301, 640320
CI 640082
FI 249009



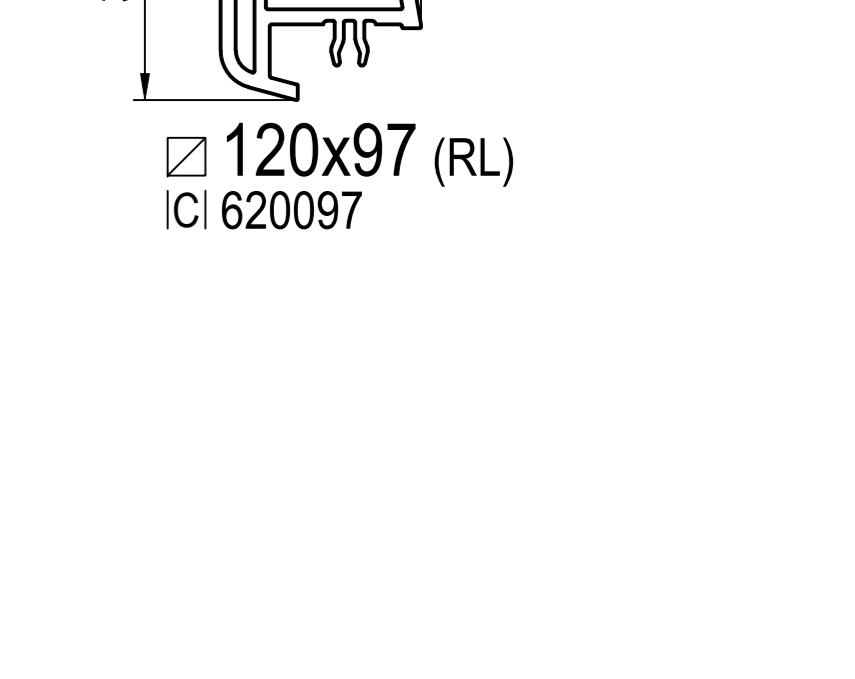
140x34 (RL) -> 140x84
AI 640301, 640320
FI 249007, 249009



140x84 (RL) -> 140x34
120x97
AI 640301, 640320
CI 640082
FI 249009



140x38 (RL)
AI 640301, 640320
FI 229135, 229137



120x97 (RL)
CI 620097

Option

- ☐ Bonding of pane
- ☐ not laminated
- laminated
- AI Spacer
- CI End caps
- DI Connector
- FI Connector without sticks
- JI Reinforcements
- K Bonding of pane
- PI Aluminium shells
- QI Aluminium step protection
- UI Aluminium threshold
- VI Connection for threshold
- MI Mullion coupler
- XI Gaskets
- ZI Special accessories

-> for

- (CL) Classic-line
- (RL) Round-line
- (SL) Soft-line

(MB) Monobloc



Main Profiles

110x96 (CL)
AI 620301, 620305
FI 259018
IQ 227300, 227303, 227305

120x22 (CL)
AI 620301, 620305
FI 229023, 229024, 229025, 229026, 229027, 229028, 249026

120x41 (CL)
AI 620301, 620305
DI 629111, 627101, 627102
~120xxx ...
DI 629141, 627131, 627132, 620116 ~120xxx ...
DI 620046 ~ universal
FI 229098, 229100, 229101
UI 229060, 249058, 249060, 269060
W 626072

120x05 (CL)
AI 620301, 620305
FI 229023, 229024, 229025, 229026, 229029, 229030, 249026
IQ 227300, 227303, 227305

120x07 (CL)
AI 620301, 620305
FI 229001, 229112, 229113, 229121
IQ 227300, 227303, 227305
UI 229060, 249058, 249060, 269060
IV 626070

120x300000096 (CL)
AI 650250 or MJ
FI 229114, 229115
MJ 642261, 642262, 646265

140x46 (CL)
AI 650250, 650252, 655251 or MJ
DI 647146 ~ ...
FI 249046
MJ 642261, 642262, 642263, 646265, 646266

120x310000096 (CL)
AI 650250 or MJ
FI 229114, 229115
MJ 642261, 642262, 646265

120x63 (CL)
CI 620001
FI 229063

Transoms
+ 8mm = 55

Transoms -> (RL) +8

Round-line (RL)

110x99 (RL)
AI 620301, 620305
FI 229037
IQ 247300

120x18 (RL)
AI 620301, 620305
FI 229001, 229023, 229025, 229112, 229113, 229121
IQ 247300

120x57 (RL)(MB)
AI 620301, 620305
FI 229037
IQ 247300

120x52 (RL)
AI 620301, 620305
FI 239030
IQ 247300

120x26 (RL) ->120x86
AI 650250, 650252, 655251 or MJ
FI 229055
MJ 642261, 642262, 642263, 646265, 646266

120x45 (RL)
AI 620301, 620305
DI 629111, 627101, 627102
~120xxx ...
DI 629141, 627131, 627132, 620116 ~120xxx ...
DI 620046 ~ universal
FI 229098, 229100, 229101
UI 229060, 249058, 249060, 269060
W 626072

120x86 (RL) ->120x26
AI 650250, 650252, 655251 or MJ
CI 620029
FI 229055
MJ 642261, 642262, 642263, 646265, 646266

120x82 (RL) ->120x32
AI 650250, 650252, 655251 or MJ
CI 620029
FI 229056, 229058
MJ 642261, 642262, 642263, 646265, 646266

140x47 (RL)
AI 640301, 640320
DI 647241 ~ ...
DI 647131, 647132 ~140x4x ...
DI 647101, 647102 ~140x4x ...
DI 620046 ~ universal
FI 229098, 229100, 229101

False mullion
26.5 -> 120x82, 120x86, 140x74, 140x78, 140x82, 140x84

120x97 (RL)
CI 620097

120x19 (RL)(MB)
I=98mm
AI 620301, 620305
CI 620414, 620415
FI 229110, 229111
IQ 247300

120x59 (RL)
AI 620301, 620305
FI 229037
IQ 247300

120x32 (RL) ->120x82
AI 650250, 650252, 655251 or MJ
FI 229056, 229057
MJ 642261, 642262, 642263, 646265, 646266

110x06 (RL)(MB)
I=118mm
AI 620301, 620305
CI 620414, 620415
FI 229110, 229111
IQ 247300

120x91 (RL)
AI 620301, 620305
FI 229034, 229037
IQ 247300

120x39 (RL)
AI 620301, 620305
FI 229037
IQ 247300

110x08 (RL)(MB)
I=138mm
AI 620301, 620305
CI 620414, 620415
FI 229110, 229111
IQ 247300

110x09 (RL)(MB)
I=158mm
AI 620301, 620305
CI 620414, 620415
FI 229110, 229111
IQ 247300

110x10 (RL)(MB)
I=178mm
AI 620301, 620305
CI 229034, 229037
IQ 247300

- Ⓜ Bonding of pane Option
- not laminated
- laminated
- AI Spacer
- CI End caps
- DI Connector
- DI Connector without sticks
- FI Reinforcements
- IJ Bonding of pane
- QI Aluminium step protection
- UI Aluminium threshold
- VI Connection for threshold
- W Mullion coupler
- XI Gaskets
- > for
- (CL) Classic-line
- (RL) Round-line
- (MB) Monobloc

Main Profiles

Frame

■ 050x03 (CL)
■ 050003 (CL)
IP: 259403, 259404
IU: 249058, 249060, 269060
IV: 646072 + IX: 446071
IX: 427334, 429334
IZ: 650290

Sash

■ 150x80 (CL)
■ 150380 (CL) bl
IF: 259080
JI: 652080, 652081, 652082, 652083
IT: 259081
IZ: 694132

Mullion

■ 150x43 (CL)
■ 150043 (CL)
ID: 657130, 657134 ~050x0x
ID: 657030 ~050x0x
ID: 620046 ~ universal
IX: 650033 wh
IX: 659033 bl
IF: 259043, 259044
IP: 259443
IU: 249058, 249060, 269060
M: 646075
IX: 427334, 429334

False mullion

■ 150x67 (CL)
■ 150067 (CL)
IC: 650267
IF: 259067
IP: 259467
IX: 427334, 429334

050x04 (CL)
■ 050004 (CL)
IH: 685058
IP: 259404
IU: 249058, 249060, 269060
IV: 656078
IX: 427334, 429334
IZ: 650290 | IZ: 650292

IDEAL 5000®

■ 150x10 (CL)
■ 150010 (CL)
IF: 229045
IP: 259404
IX: 427334, 429334

■ 150x11 (CL)
■ 150011 (CL)
IF: 229037
IP: 259404
IX: 427334, 429334

■ 150x110000011 (CL)
■ 1500110000011 (CL)
IF: 229037
IP: 259404
IX: 427334, 429334

Accessories

CI End caps

650267 (CL) → 150x67
650264 (CL) + 650265 (CL) → 150x65 (CI 650265)
→ 150x65 (CI 650264)

DI Connector P-Plastic
DI Connector without sticks

ID: 657130 → 150x43 (CI 650267)
ID: 657030 → 150x43 (CI 650950)
IO: 650950 ~150x0x...
IX: 650032, 659032, 650033, 659033
ID: 657134 → 150x43 (CI 650950)
IO: 650950 ~150x0x...
IX: 650032, 659032, 650033, 659033
ID: 620046 P ~35x20x1000mm
→ 120x41, 120x45, 140x41, 140x47, 150x43, 170x41 ~universal

FI Reinforcements (...) = Ix

(2.5) 229037 s=1.5 → 150x11, 150x110000011
(1.1) 229045 s=1.5 → 150x10
(0.4) 229107 s=2.0 → 150x65
(3.9) 259043 s=1.5
(5.6) 259044 s=2.5 → 150x43, 170x41
(1.8) 259080 s=2.0 → 150x80

GI Nipple screw / Clip

659923 → aluminium → IT: 259082
654930 → aluminium → IP: ... e.g. 259403, 259404

HI Installation / mounting anchor + see plan: Additional Profiles Structural profiles

685058 gn → 050x04, 080x04, 180x04

II Lifter + Transport protection

620440 → Sash
640441 → Frame
640015 → Frame
640012 → Frame

JI Bonding of pane

640033 red 3 H [mm]
640034 ye 4 H [mm]
640035 gn 5 H [mm]
640012 wh 12 H [mm]
640013 red 13 H [mm]
640019 ye 14 H [mm]

652080 bl
652081 bl
652082 bl
652083 bl

KI Mounting accessories

650950 → ID: 657130, 657134
→ ID: 657030

IP Aluskin Aluminium shells

SL 203mm AU 329mm GU 414mm
SL 260mm AU 374mm GU 458mm
SL 137mm AU 205mm GU 289mm
SL 240mm AU 340mm GU 424mm
SL 280mm AU 414mm GU 498mm

259403 (CL) 2
→ 050x03 (CL)
IG: 654930 IX: 459952

259467 (CL) → 150x67 (CL) IX: 459952

259404 (CL) 2 + IG: 654930 → 050x03 (CL), 050x04 (CL), 150x10 (CL), 150x11 (CL), 150x110000011 (CL)
IR: 259305 IX: 459952

259443 (CL) → 150x43 (CL) IX: 459952

IT Aluminium weather bar

SL 40mm AU 106mm
SL 74mm AU 157mm

259082 (CL) → General → IT: 259081 IG: 659923
259081 (CL) → 150x80 (CL) → IT: 259082 IX: 459953

249060 gr 20/70mm
269060 gr 20/85mm Standard
249058 gr 20/120mm
227301 IX: 420340, 429340
227302 IX: 420340, 429340
227306 IX: 420340, 429340

646072 gr Set → 140x03, 050x03, 150x03 IX: 446071 ✓
656078 gr Set → 050x04 ✓

IX Gaskets

459952 bl
→ IP: Aluskin Standard
449340 bl Standard
447340 pw Standard
650033 wh → 150x43, 180x44, 657130, 687131, 657030, 687102
446091 gr
476091 gr → Frame → Mullion
446092 gr → Sash → False mullion
459953 bl → pw → IT: 259081
420250 wh
421250 br
423250 oc
429250 bl
446071 gr Set (+r) → IV: 646022, 646070, 646071, 646072 ✓
694132 NiRo → 150x38

⊗ Bonding of pane
□ not laminated
■ laminated
→ for
(CL) Classic-line
(CH) Switzerland
ye yellow
gn green
gr grey
oc ochre
red red
bl black
pw papyrus-white
wh white
1) or
2)

SL: visible length
AU: exterior perimeter
GU: overall perimeter

SL: AU: GU:

Main Profiles

Frame

■ **170080**
FI 249228 = "premium" "standard"
FI 279108
FI 229125, 229126 = "basic"
PI 279380, 279383, 279384
ZI 670380, 679320

Sash

■ **170x81 (CL)**
IAI 670301
FI 229125, 229126, 279036, 279082, 279083, 279084
FI 229114 + 670290, 229115 + 670290, 279036 = "premium"
PI 279381, 279382, 279386
XI 479181
ZI 679303, 679341

Transoms

■ **170x44 (CL)**
-> 170x81
IAI 670301
DI 677145, 677146 ~170x4x ...
DI 640046 ~universal
FI 249034, 249035
PI 289343

Additional Profiles

■ **170105**
-> 170080, 170x81
XI 479330
ZI 679330

■ **170101**
-> 170080, 170x81
XI 679305, 679340
ZI 679330

■ **170102**
-> 170x81
ZI 679302

■ **176103 gr**
-> 170x81
XI 679300
ZI 679302, 679303

■ **176106 gr**
SI 27713x, 277180
XI 420250, 421250, 423250, 429250
XI 679300
ZI 679306

■ **170100**
-> 170x81
GI 652923
OI 670901
XI 479180
YI 449901, 459933

■ **170082 (CL)**
PI 279306, 279307
XI 477025, 479025, 477015, 479015
ZI 679306, 679382

■ **170104**
-> 170080
YI 449901, 459933
ZI 679304

Accessories

IAI Spacer

670301
-> 170x41, 170x44, 170x81

DI Connector
DI Connector without sticks
P-Plastic
-> Transoms

DI 677146
DI -
-> 170x44
OI 670950
~170x4x ...

DI 677145
DI -
-> 170x44
OI 670950
~170x4x ...

DI 679141 P
DI -
-> 170x41
OI 670950
~170x4x ...

DI 677101
DI -
-> 170x41
OI 670950
~170x4x ...

DI 640046 P
~45x20x1000mm
-> 170x41, 170x44
~universal

DI 620046 P
~35x20x1000mm
-> 170x41
~universal

IFI/PI Reinforcements (...)= Ix
-> Transoms

24922x "premium" "standard"
(65)249228 s=2.0 l= 6.7m (197)aluminium
-> 170080

(6.1)249034 s=1.25
(9.2)249035 s=2.0
-> 170x44

(3.9)259043 s=1.5
(5.6)259044 s=2.5
-> 170x41

27910x
(69)279108 s=2.0 l= 6.7m (206)aluminium
-> 170080

(5.9)279036 s=2.8
17.8)aluminium
-> 170x81
SI 279189

(12.1)229125 s=2.0
(16.8)229126 s=3.0
-> 170080, 170x81

(4.0)229114 s=1.5 "premium"
(5.0)229115 s=2.0
-> 170x81
+ ZI 670290

(13.2)279082 s=1.5
-> 170x81
SI 279189

(13.2)279083 s=1.5
~FI 279082 pierced hole
l= 2.30m blue
-> DIN left
-> 170x81

(13.2)279084 s=1.5
~FI 279082 pierced hole
l= 2.30m red
-> DIN right
-> 170x81

GI Nipple screw / Clip

652923
-> uPVC
-> 170100
OI 670901

HI Installation / mounting anchor
see plan:
Additional Profiles
Structural profiles

OI Mounting accessories
-> Transoms

670918
-> ZI 670380, 679320

670901
-> GI 652923 + 170100

670941
-> ZI 679341

670950
-> DI 677101, 677145, 677146, 679141
-> DI 677142, 677144, 677241, 677244

PI aluskin Aluminium shells

279380 (CL) 2 SL 111mm
-> 170080 (CL) AU 237mm
GI 670180

279384 (CL) 2 SL 75mm
-> 170080 (CL) AU 120mm
GI 670180

279383 (CL) 2 SL 212mm
-> 170080 (CL) AU 516mm
YI 459933

279386 (CL) SL 84mm
-> 170x81 (CL) AU 160mm

279382 (CL) SL 125mm
-> 170x81 (CL) AU 284mm

279387 (CL) SL 39mm
-> 170101 (CL) AU 59mm

279306 (CL) SL 66mm
-> 170082 (CL) AU 136mm
+ 176106
-> Transoms

279307 (CL) SL 59mm
-> 170082 (CL) AU 108mm

289343 (CL) SL 150mm
-> 170x44 (CL) AU 292mm

289341 (CL) SL 130mm
-> 170x41 (CL) AU 252mm
aluplast GI Nipple screw / Clip

GI Gaskets

670180 wh
-> PI 279380, 279384
aluplast XI

459951 bl or 449986 bl
- pw or 447986 pw
-> Glazing
aluplast YI

459933 bl
-> 170100, 170104
-> PI 279383

ISI/ISI Aluminium profiles + GFK(GRP)

27914x "premium" SL 3.00m
279140 gr l= 3.00m
279144 gr l= 4.50m
279148 gr l= 6.70m
GFK(GRP) pierced hole
-> 170080
XI 679340
ZI 679341

27715x SL 3.00m
277150 l= 3.00m
277154 l= 4.50m
277158 l= 6.70m
aluminium pierced hole
-> 170080
XI 679340
ZI 679341

27713x "premium" SL 3.00m
277130 l= 3.00m
277134 l= 4.50m
277138 l= 6.70m
-> ISI 277106
-> UI 27716x, 27911x

277170 SL 3.00m
277174 l= 4.50m
277178 l= 6.70m
-> UI 27712x, 27722x

247200 SL 6.70m
aluminium
-> UI 27712x, 27722x, 27911x

277180 l= 6.70m
aluminium
-> 176106
-> ISI 277106
-> UI 27716x, 27911x

277190 l= 6.70m
aluminium
-> UI 27712x, 27722x

279189 l= 6.00m
aluminium
-> FI 279036, 279082
-> SI 277180, 277190

277105 l= 6.70m
aluminium
ISI 277107

277106 l= 6.70m
aluminium
ISI 27713x, 277180
ISI 277107

277107 l= 85mm
aluminium
ISI 277106 ISI 277105
UI 27712x, 27716x, 27722x, 27911x
ZI 679306

Aluminium threshold + GFK(GRP)

27911x "premium" SL 3.00m
279110 gr l= 3.00m
279114 gr l= 4.50m
279118 gr l= 6.70m
GFK(GRP) ISI 27713x, 277180 ISI 277107
ISI 247200, 247900, 277210
ZI 679304, 679320

27722x "standard" SL 3.00m
277220 gr l= 3.00m
277224 gr l= 4.50m
277228 gr l= 6.70m
uPVC / aluminium ISI 27717x, 277190 ISI 277107
ISI 247200, 247900, 277210
ZI 679304, 679320

27712x "basic" SL 3.00m
277120 gr l= 3.00m
277124 gr l= 4.50m
277128 gr l= 6.70m
uPVC / aluminium ISI 27717x, 277190 ISI 277107
ISI 247200, 247900, 277210
ZI 679304, 679320

27716x Alternative SL 6.70m
277168 gr l= 6.70m
uPVC / aluminium ISI 27713x, 277180 ISI 277107
ZI 679304, 679320 cut

XI Gaskets

479181 bl
-> 170x81

479180 bl
-> 170100

479330 bl
-> 679330 + 170105

679305 gr
-> 170101
+ 27712x, 27716x, 27722x, 27911x

679340 gr
-> 170101
+ 27715x, 27914x

679300 gr
-> 679303 + 176103
-> 679306 + 176106

479025 bl
477025 pw
Standard

459925 bl
459925 pw
459925 oc

429334 bl
427334 pw

459933 bl
-> 170100, 170104
Standard

479015 bl
477015 pw
-

459922 bl
pw

420250 wh
421250 br
423250 oc
429250 bl
-> 176106

YI Brush seals

449901 gr
-> 170100, 170104
Standard

459933 bl
-> 170100, 170104
-> PI 279383

ZI Special accessories

670380 wh
-> 170080
+ 170080
OI 670918

679320 gr
-> 170080
+ 27712x, 27716x, 27722x, 27911x
OI 670918

679341 gr
-> 170x81
+ 27914x / 27715x
OI 670941

679302 gr
-> 170102
+ 176103

679303 gr
-> 170x81
+ 176103

679304 gr
-> 170104
+ 27712x, 27716x, 27722x, 27911x

670382 wh
-> 170x81
+ 170082

679306 gr
-> 176106, SI 277107

679330 gr
-> 170105
XI 479330

670290
~15x42.5x1000mm
-> 170x81
+ FI 229114, 229115

not laminated
laminated
foam inside -> X

-> for
(CL) Classic-line

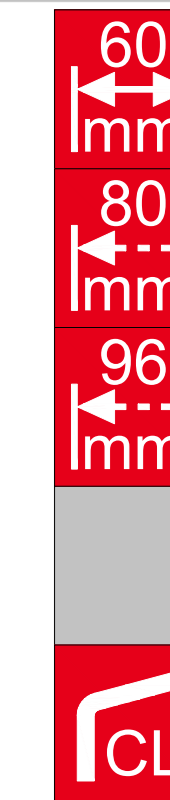
br brown
gr grey
oc ochre
bl black
pw papyrus-white
wh white

Set
679390
Accessories
-> Schema A
* see price list

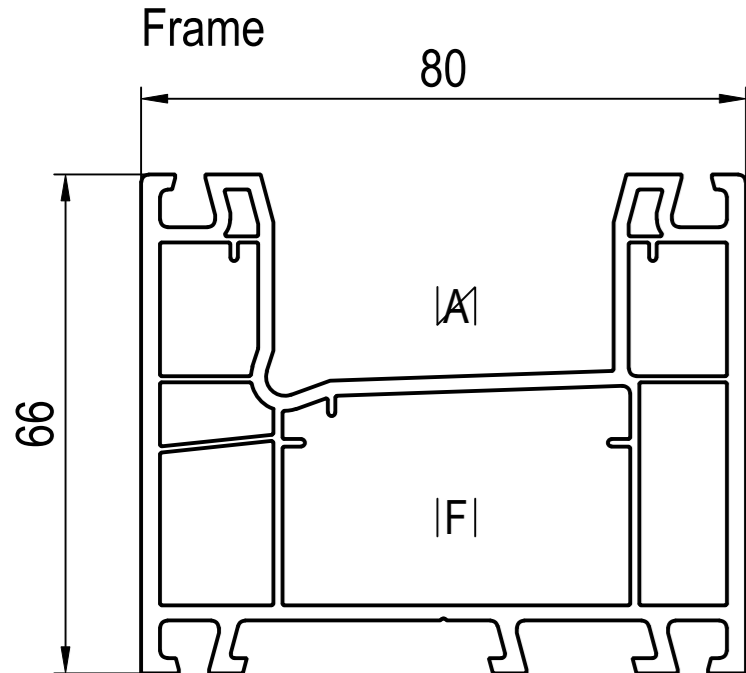
1) or 2)

SL visible length
AU exterior perimeter

SL: AU:

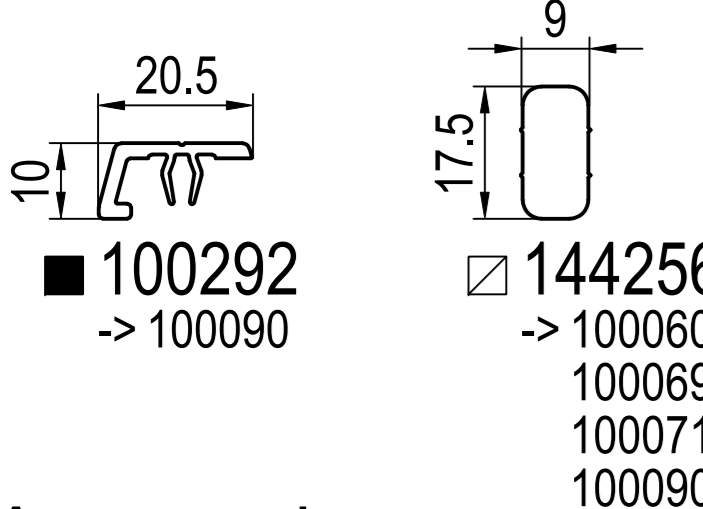


multi-slide



■ 100090 (CL)
IA| 650001 IA1| 650002
IF| 229023, 229024, 229025, 229026,
229029, 229030, 229102, 229103,
249026
IS| 207090, 250340
IZ| 600090

Additional Profiles



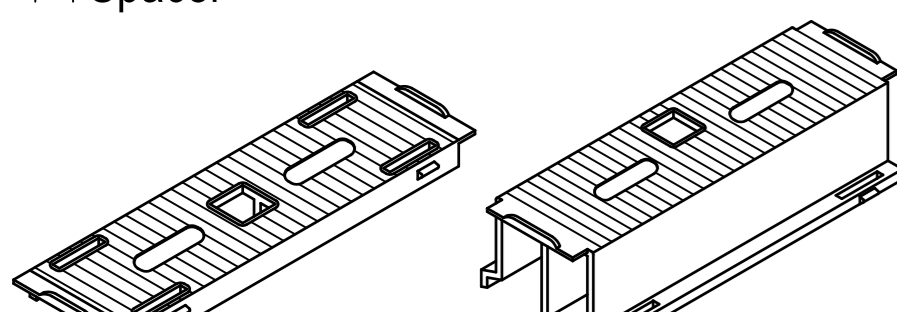
■ 100292
-> 100090

□ 144256
-> 100060,
100069,
100071,
100090

Accessories

-> Frame

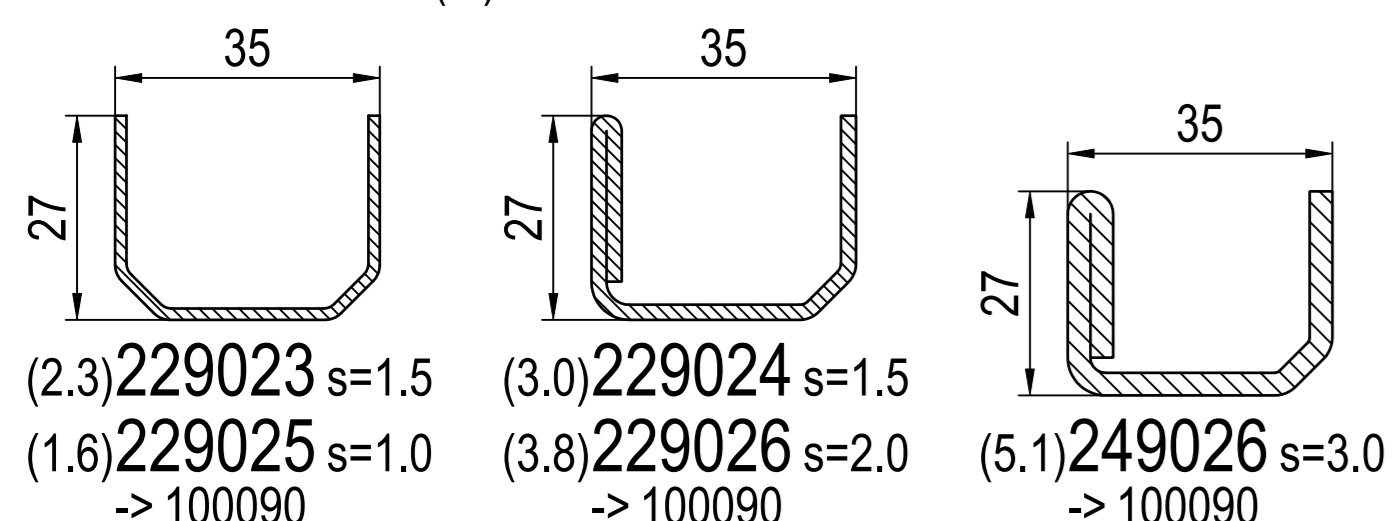
IA| Spacer



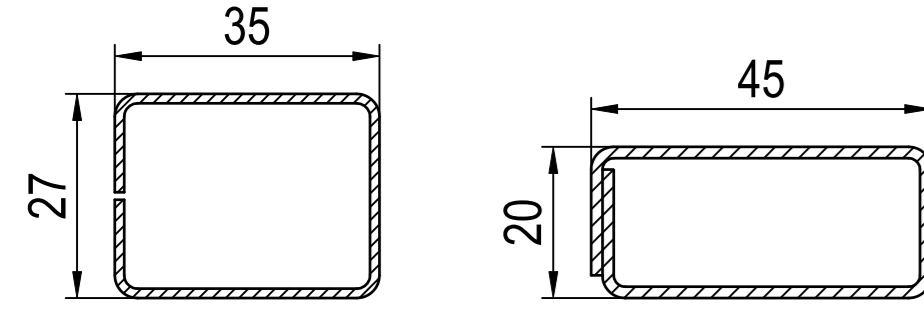
650001
-> Frame

650002
-> 100090

IF| Reinforcements (...) = lx

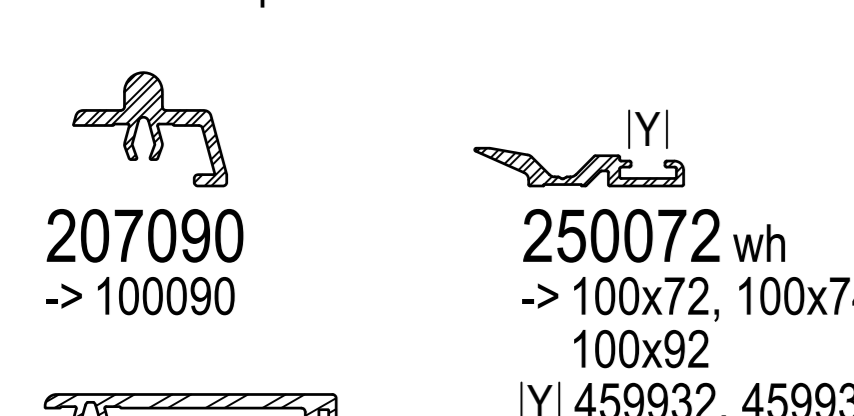


(2.3) 229023 s=1.5
(1.6) 229025 s=1.0
(3.0) 229024 s=1.5
(3.8) 229026 s=2.0
(5.1) 249026 s=3.0



(2.5) 229029 s=1.25
(3.7) 229030 s=2.0
(5.1) 229102 s=1.5
(7.3) 229103 s=2.5

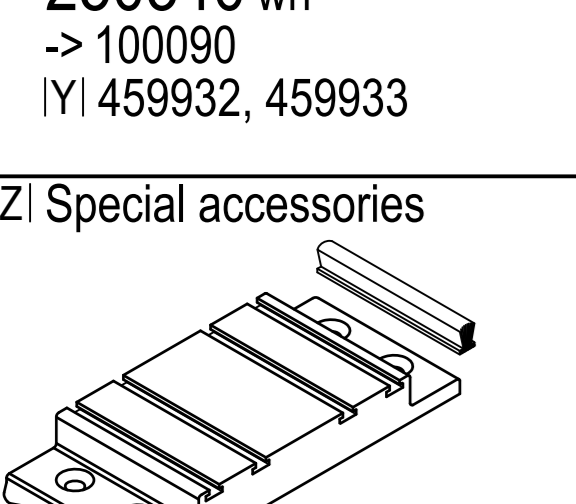
IS| Aluminium profiles



207090
-> 100090

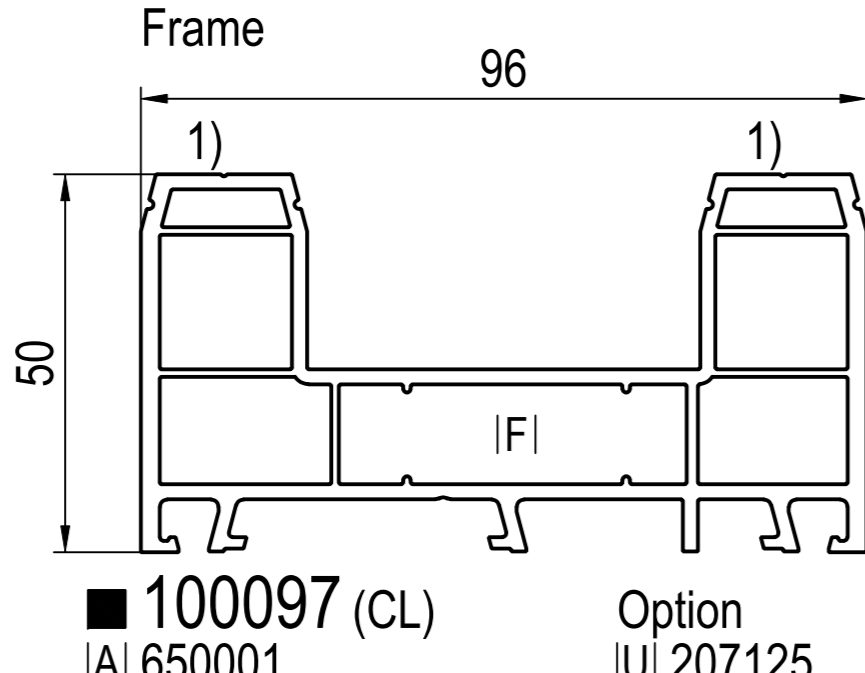
250072 wh
-> 100x72, 100x74,
100x92
IY| 459932, 459933

IZ| Special accessories

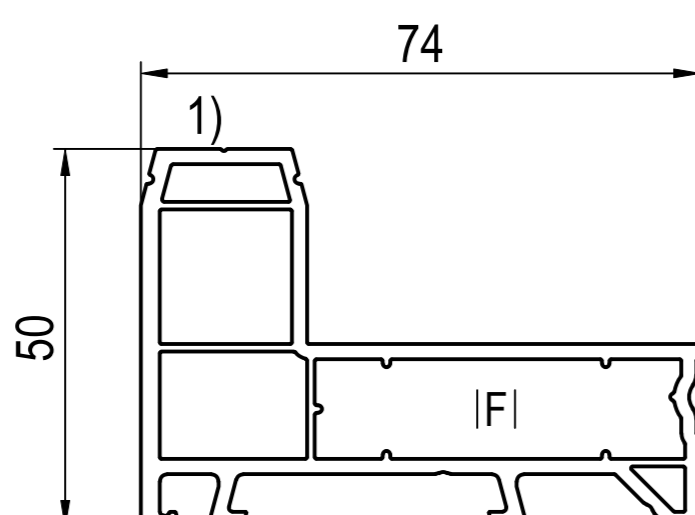


250340 wh
-> 100090
IY| 459932, 459933

multi-slide

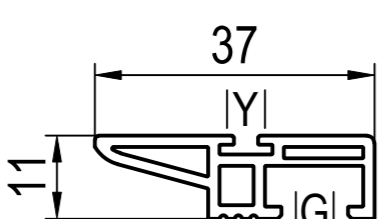


■ 100097 (CL) Option
IA| 650001 UI| 207125
IF| 209121 VI| 606125
S| 207120 1), 200122
ZI| 600100



■ 100098 (CL) Option
IA| 650001 UI| 207124
IF| 209121
S| 207120 1), 200122
ZI| 600100

Additional Profiles

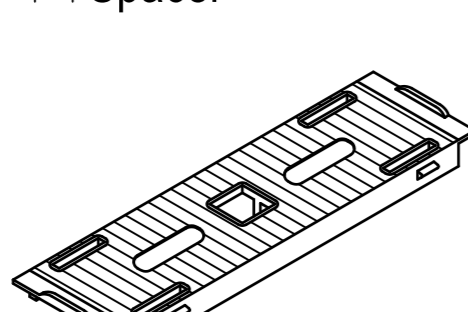


■ 100253
-> 100x92
GI| 652923
IY| 459927

Accessories

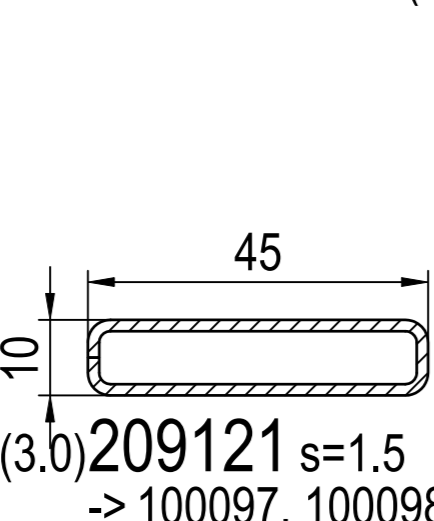
-> Frame

IA| Spacer



650001
-> Frame

IF| Reinforcements (...) = lx



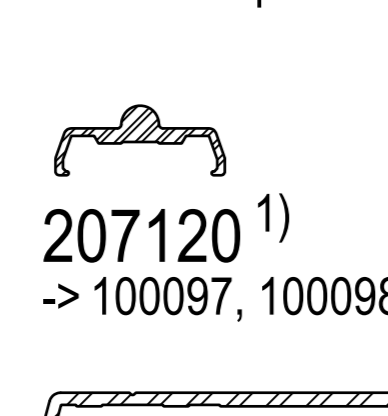
(3.0) 209121 s=1.5
-> 100097, 100098

GI| Nipple screw / Clip



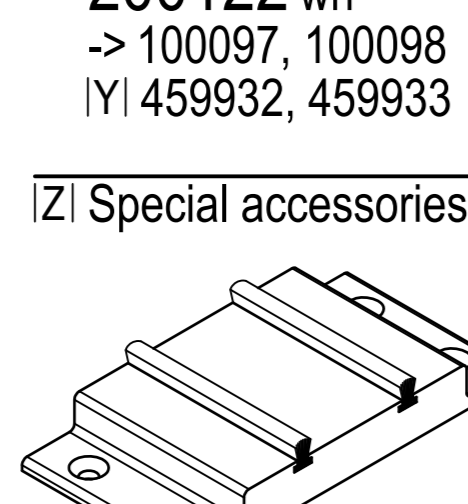
652923
-> 100253, 100275

IS| Aluminium profiles



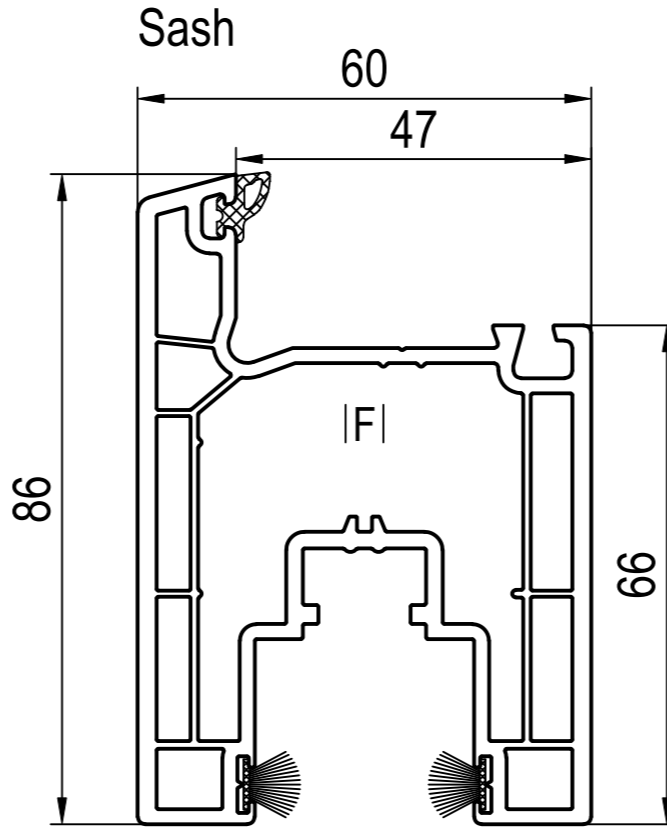
207120 1)
-> 100097, 100098

IZ| Special accessories



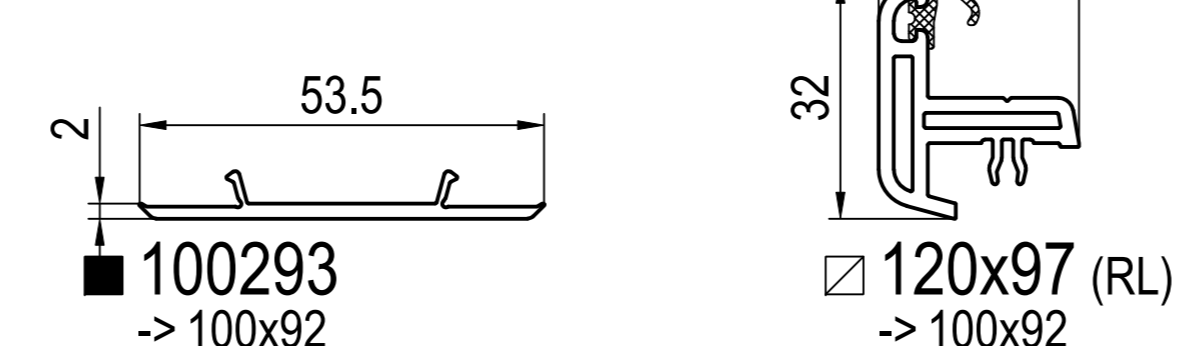
600100 wh
-> 100097, 100098,
207125, 207124

multi-slide



■ 100x92 (CL)
IA| 620301, 620305
IF| 209192, 209193
SI| 200070
ZI| 659946, 600094,
600092, 600098

Additional Profiles



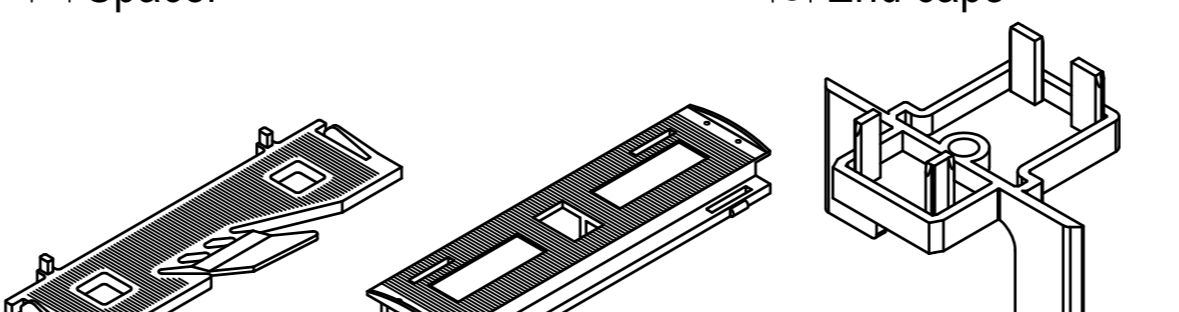
■ 100293
-> 100x92

□ 120x97 (RL)
-> 100x92

Accessories

-> Sash / General

IA| Spacer

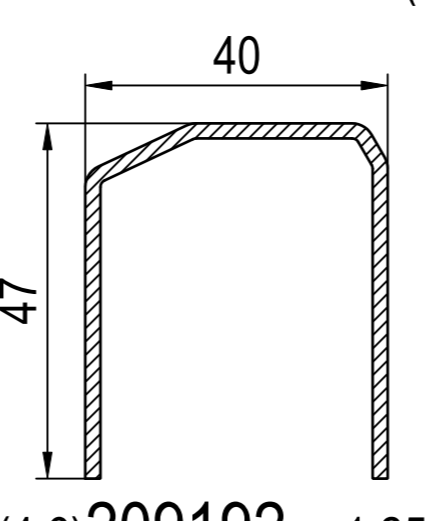


620301
-> 100x92,
120x41

620305
-> 100x92,
120x41

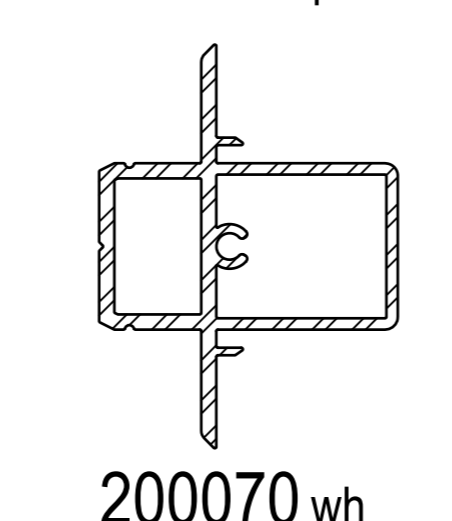
600070 wh
-> SI| 200070

IF| Reinforcements (...) = lx



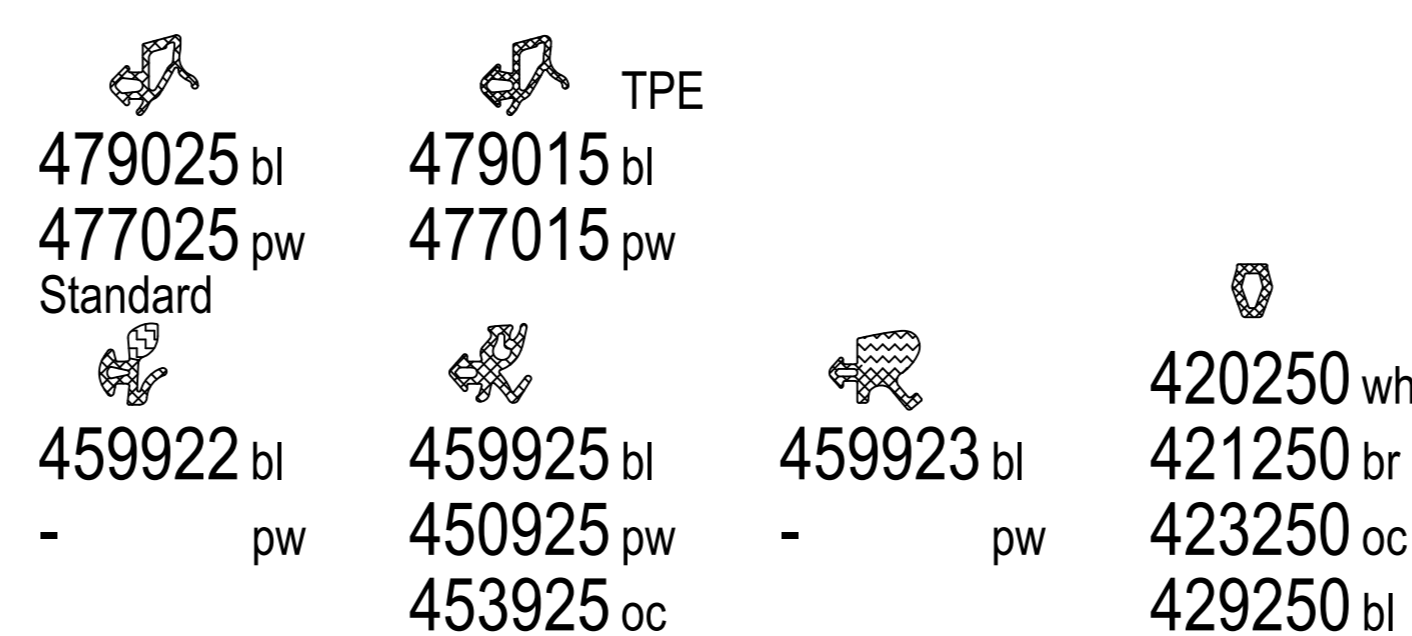
(4.6) 209192 s=1.25
(7.0) 209193 s=2.0
-> 100x92

IS| Aluminium profiles



200070 wh
-> 100x92
CI| 600070

IX| Gaskets



479025 bl 479015 bl
477025 pw 477015 pw
Standard

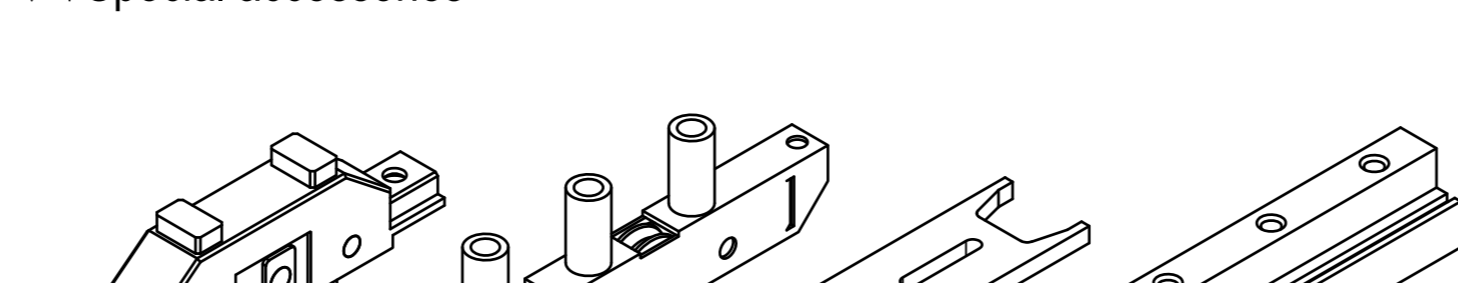
459922 bl 459925 bl 459923 bl 420250 wh
- pw 450925 pw - pw 421250 br
453925 oc 423250 oc 429250 bl

IY| Brush seals



459933 bl 459932 bl 459927 bl

IZ| Special accessories



659946
-> 100x92

600094
-> 100x92

600092 wh
-> 100x92

600098
-> 100x92

multi-slide



■ 120x41 (CL)
IA| 620301, 620305
ID| 629111, 627101, 627102
~120xxx ...
ID| 629141, 627131, 627132,
620116 ~120xxx ...
ID| 620046 ~universal
IF| 229098, 229100, 229101

Accessories

-> Transoms

ID| Connector

ID| Connector without sticks
P-Plastic



ID| 629111 P

ID| 629141 P

ID| 627101

ID| 627131

-> 120x41,
120x45
ID| 620900
~120xxx ...

ID| -

ID| 620116

-> 120x41,
120x45
ID| 620900
~120xxx ...

ID| 620046 P

~35x20x1000mm
-> 120x41, 120x45,
140x41, 140x47,
150x43, 170x41
~universal

ID| 620046 P

~35x20x1000mm
-> 120x41, 120x45,
140x41, 140x47,
150x43, 170x41
~universal

ID| 620046 P

~35x20x1000mm
-> 120x41, 120x45,
140x41, 140x47,
150x43, 170x41
~universal

ID| 620046 P

~35x20x1000mm
-> 120x41, 120x45,
140x41, 140x47,
150x43, 170x41
~universal

ID| 620046 P

~35x20x1000mm
-> 120x41, 120x45,
140x41, 140x47,
150x43, 170x41
~universal

ID| 620046 P

~35x20x1000mm
-> 120x41, 120x45,
140x41, 140x47,
150x43, 170x41
~universal

ID| 620046 P

~35x20x1000mm
-> 120x41, 120x45,
140x41, 140x47,
150x43, 170x41
~universal

ID| 620046 P

~35x20x1000mm
-> 120x41, 120x45,
140x41, 140x47,
150x43, 170x41
~universal

ID| 620046 P

~35x20x1000mm
-> 120x41, 120x45,
140x41, 140x47,
150x43, 170x41
~universal

ID| 620046 P

~35x20x1000mm
-> 120x41, 120x45,
140x41, 140x47,
150x43, 170x41
~universal

ID| 620046 P

~35x20x1000mm
-> 120x41, 120x45,
140x41, 140x47,
150x43, 170x41
~universal

ID| 620046 P

~35x20x1000mm
-> 120x41, 120x45,
140x41, 140x47,
150x43, 170x41
~universal

ID| 620046 P

~35x20x1000mm
-> 120x41, 120x45,
140x41, 140x47,
150x43, 170x41
~universal

□ not laminated
■ laminated

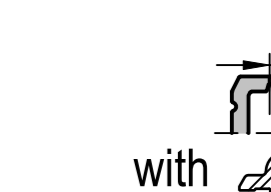
-> for

(CL) Classic-line
(RL) Round-line

br brown
oc ochre
bl black
pw papyrus-white
wh white

Glazing
Frame
see manual

1) Option



IS| 257330
-> 100060, 100069, 100071, 100076,
100097, 100098, 100275

easy-slide

Frame

■ 100078 (CL)
AI 650001
FI 249019 | FI 229107
SI 207076 1)
XI 409076
ZI 600076

Mullion

■ 100079 (CL)
DI 600079
FI 209079
XI 409076
YI 459932, 459933

Additional Profiles

■ 140227
-> 100078

■ 100274
-> 100x72, 100x74
YI 459932, 459933

Accessories

-> Frame
AI Spacer

650001
-> Frame

-> Mullion
DI Connector
P-Plastic

600079 P
-> 100079

FI Reinforcements (...) = lx

(1.8) 249019 s=2.0 (1.0) 229107 s=2.0 (2.6) 209079 s=2.0
-> 100078 -> 100078 -> 100079

SI Aluminium profiles

207076 1)
-> 100060, 100069, 100071, 100076, 100078, 100275

XI Gaskets

409076 bl 420250 wh
- pw 421250 br
423250 oc
429250 bl

ZI Special accessories

600076 wh
-> 100060, 100076, 100078
YI 459932, 459933

650070 wh
-> 100060, 100069, 100071, 100275
YI 459932, 459933

600076 wh
-> 100060, 100076, 100078
YI 459932, 459933

easy-slide

Frame

■ 100069 (CL)
AI 650001
FI 259018
SI 207076 1)
ZI 650070

■ 100275 (CL)
GI 652923
SI 207076 1)
ZI 650070

■ 100071 (CL)
AI 650001
FI 259018
SI 207076 1)
ZI 650070

■ 120227
-> 100069, 100071, 100076, 100x92

■ 144256
-> 100060, 100069, 100071, 100090

Additional Profiles

■ 180227
e-sfs -> 100060

Accessories

-> Frame / e-sfs Frame
AI Spacer

650001
-> Frame

-> Mullion
DI Connector
P-Plastic

600079 P
-> 100079

FI Reinforcements (...) = lx

(0.8) 259018 s=2.0
-> 100060, 100069, 100071

652923
-> 100253, 100275

SI Aluminium profiles

207076 1)
-> 100060, 100069, 100071, 100076, 100078, 100275

XI Gaskets

420250 wh
421250 br
423250 oc
429250 bl

ZI Special accessories

650070 wh
-> 100060, 100069, 100071, 100275
YI 459932, 459933

600076 wh
-> 100060, 100076, 100078
YI 459932, 459933

easy-slide fly screen

e-sfs Sash

■ 100062 (CL) e-sfs
FI 209062
YI 459930
ZI 600062

easy-slide fly screen

e-sfs Frame

■ 100060 (CL) e-sfs
AI 650001
FI 259018 + FI 22x12mm
SI 207076 1) + ZI 600076
ZI 650070

■ 180227
e-sfs -> 100060

Additional Profiles

■ 100272
-> 100x72, 100x74

■ 100x65 (CL)
AI 669919
FI 229003, 229004
SI 200071
ZI 650947, 600096

■ 100x74 (CL)
AI 669919
FI 229005
SI 200071
ZI 650947, 600096

Accessories

-> Sash / General
AI Spacer

3x20x100 mm
669919
-> 100x65, 100x72, 100x74, 100078, 100079

ICI End caps

600071 wh
-> SI 200071

IDI Connector
IDI Connector without sticks

IDI -
IDI 607065
-> 100x65
XI 409065

FI Reinforcements (...) = lx

(1.6) 229003 s=1.5
(2.1) 229004 s=2.0 -> 100x72

(3.5) 229005 s=2.0 -> 100074

(1.5) 239030 s=2.0 -> 100x65

SI Aluminium profiles

200071 wh
-> 100x72, 100x73, 100x74
CI 600071

250072 wh
-> 100x72, 100x74, 100x92
YI 459932, 459933

XI Gaskets

459922 bl 459925 bl 429330 bl 409065 bl
- pw 450925 pw 420330 wh -> 100x65
Standard 453925 oc | DI 607065

ZI Special accessories

459930 bl
-> 100062

650947
-> 100x72, 100x73, 100x74

600096
-> 100x72, 100x74

easy-slide

Sash

■ 100x72 (CL)
AI 669919
FI 229003, 229004
SI 200071
ZI 650947, 600096

■ 100x74 (CL)
AI 669919
FI 229005
SI 200071
ZI 650947, 600096

Additional Profiles

■ 100x65 (CL)
AI 669919
DI 607065 + XI 409065
FI 239030

■ 100x72 (CL)
AI 669919
FI 229003, 229004
SI 200071
ZI 650947, 600096

■ 100x74 (CL)
AI 669919
FI 229005
SI 200071
ZI 650947, 600096

Accessories

-> Sash / General
AI Spacer

3x20x100 mm
669919
-> 100x65, 100x72, 100x74, 100078, 100079

ICI End caps

600071 wh
-> SI 200071

IDI Connector
IDI Connector without sticks

IDI -
IDI 607065
-> 100x65
XI 409065

FI Reinforcements (...) = lx

(1.6) 229003 s=1.5
(2.1) 229004 s=2.0 -> 100x72

(3.5) 229005 s=2.0 -> 100074

(1.5) 239030 s=2.0 -> 100x65

SI Aluminium profiles

200071 wh
-> 100x72, 100x73, 100x74
CI 600071

250072 wh
-> 100x72, 100x74, 100x92
YI 459932, 459933

XI Gaskets

459922 bl 459925 bl 429330 bl 409065 bl
- pw 450925 pw 420330 wh -> 100x65
Standard 453925 oc | DI 607065

ZI Special accessories

650947
-> 100x72, 100x73, 100x74

600096
-> 100x72, 100x74

mono-slide

Frame

■ 100076 (CL)
AI 650001
SI 207076 1)
XI 409076
ZI 600076

Mullion

■ 100075 (CL)
DI 600075
FI 209075
XI 409076
YI 459932, 459933

■ 100x73 (CL)
AI 669944
SI 200071
YI 459932, 459933
ZI 650947, 689175

Additional Profiles

■ 120227
-> 100069, 100071, 100076, 100x92

■ 100273
-> 100x73
YI 459932, 459933

Accessories

-> Frame
AI Spacer

650001
-> Frame

-> Mullion
DI Connector
P-Plastic

600075 P
-> 100075

FI Reinforcements (...) = lx

(0.8) 209075 s=2.0
-> 100075

SI Aluminium profiles

207076 1)
-> 100060, 100069, 100071, 100076, 100078, 100275

XI Gaskets

409076 bl 420250 wh
- pw 421250 br
423250 oc
429250 bl

ZI Special accessories

600076 wh
-> 100060, 100076, 100078
YI 459932, 459933

650947
-> 100x72, 100x73, 100x74

689175 wh Set
-> 100x73

sliding fly screen

sfs Frame

■ 100275 (CL)
GI 652923
SI 207076 1)
ZI 650070
Fly screen

-> General
Sash required
100x73 Standard
100x72 Option
100x74 Option

GI Nipple screw / Clip

652923
-> 100253, 100275

SI Aluminium profiles

207076 1)
-> 100060, 100069, 100071, 100076, 100078, 100275

Additional Profiles

420250 wh

421250 br

423250 oc

429250 bl

Accessories

-> Sash / General
AI Spacer

650001
-> Frame

-> Mullion
DI Connector
P-Plastic

600075 P
-> 100075

CI End caps

600071 wh
-> SI 200071

ZI Special accessories

650070 wh
-> 100060, 100069, 100071, 100275
YI 459932, 459933

SI Aluminium profiles

200071 wh
-> 100x72, 100x73, 100x74
CI 600071

XI Gaskets

409076 bl 420250 wh
- pw 421250 br
423250 oc
429250 bl

ZI Special accessories

459933 bl

459932 bl

650947
-> 100x72, 100x73, 100x74

689175 wh Set
-> 100x73

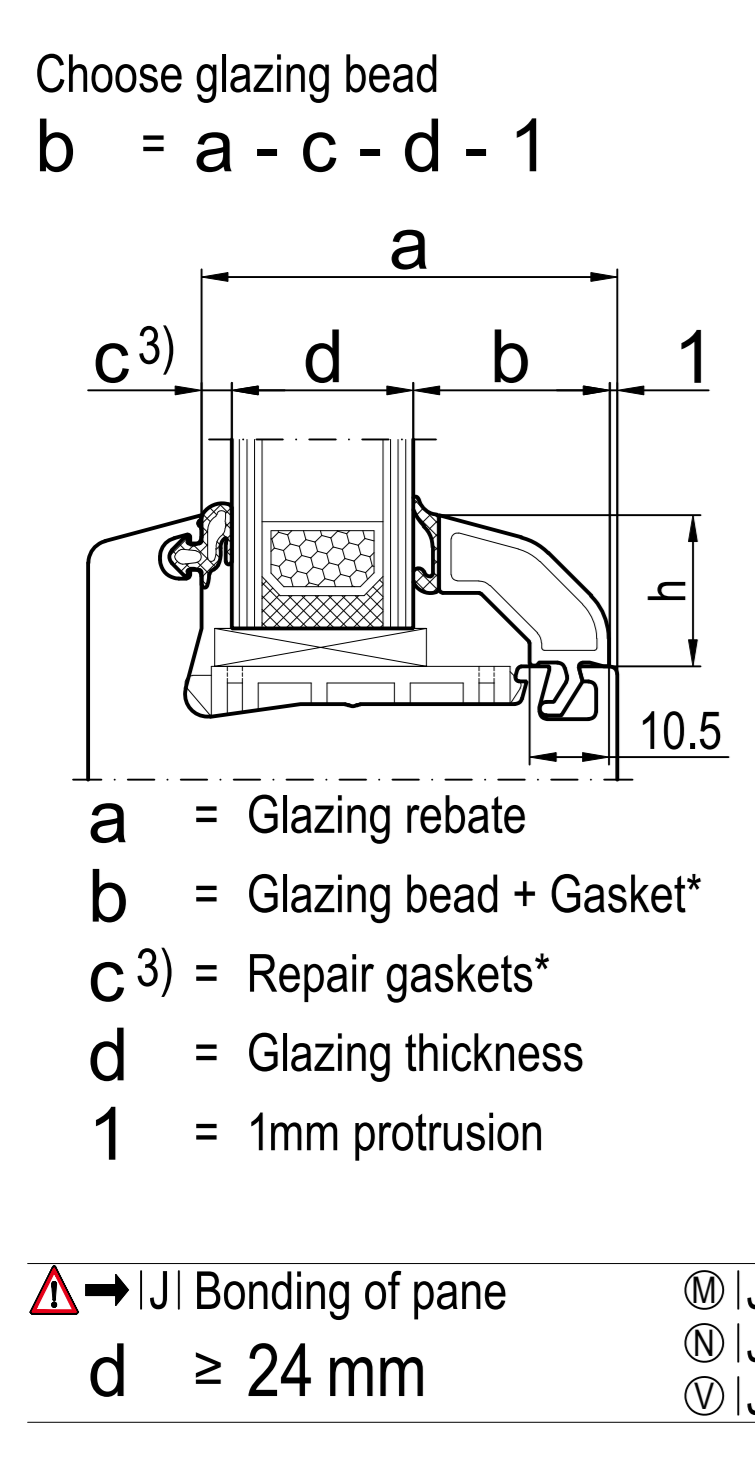
easy-slide
39 mm
60 mm
72 mm
85/88 mm
106 mm
CL

mono-slide
29 mm
60 mm
CL

sfs
CL

a	e.g. Profile serial	c ³⁾	d	Glazing thickness																			
85mm	IDEAL 7000 + 16mm + 4mm protrusion ->170x39	-	38 - 39mm	40 - 41mm	42 - 43mm	44 - 45mm	46 - 47mm	48 - 49mm	50 - 51mm	52 - 53mm	54 - 55mm	56 - 57mm	58 - 59mm	60 - 61mm	62 - 63mm	64 - 65mm	66 - 67mm	68 - 69mm	70 - 71mm	72 - 73mm	74 - 75mm	-	
81mm	IDEAL 7000 + 16mm + 0mm protrusion ->170x39	-	34 - 35mm	36 - 37mm	38 - 39mm	40 - 41mm	42 - 43mm	44 - 45mm	46 - 47mm	48 - 49mm	50 - 51mm	52 - 53mm	54 - 55mm	56 - 57mm	58 - 59mm	60 - 61mm	62 - 63mm	64 - 65mm	66 - 67mm	68 - 69mm	70 - 71mm	-	
73mm	IDEAL 8000 + 8mm / 180250 ->180x26, 180x69	4mm	22 - 23mm	24 - 25mm	26 - 27mm	28 - 29mm	30 - 31mm	32 - 33mm	34 - 35mm	36 - 37mm	38 - 39mm	40 - 41mm	42 - 43mm	44 - 45mm	46 - 47mm	48 - 49mm	50 - 51mm	52 - 53mm	54 - 55mm	56 - 57mm	58 - 59mm	-	
67mm	energeto 5000 view Sash ->150x80	2mm	-	-	-	24 - 25mm	26 - 27mm	28 - 29mm	30 - 31mm	32 - 33mm	34 - 35mm	36 - 37mm	38 - 39mm	40 - 41mm	42 - 43mm	44 - 45mm	46 - 47mm	48 - 49mm	50 - 51mm	52 - 53mm	54 - 55mm	-	
65mm	IDEAL 7000, IDEAL 8000, Nord-line Frame, lift-slide ⁴⁾	4mm	14 - 15mm	16 - 17mm	18 - 19mm	20 - 21mm	22 - 23mm	24 - 25mm	26 - 27mm	28 - 29mm	30 - 31mm	32 - 33mm	34 - 35mm	36 - 37mm	38 - 39mm	40 - 41mm	42 - 43mm	44 - 45mm	46 - 47mm	48 - 49mm	50 - 51mm	52mm	
63mm	IDEAL 4000 + 8mm, IDEAL 5000 + 8mm / 180250 ->140x27, 140x48, 150x27	4mm	12 - 13mm	14 - 15mm	16 - 17mm	18 - 19mm	20 - 21mm	22 - 23mm	24 - 25mm	26 - 27mm	28 - 29mm	30 - 31mm	32 - 33mm	34 - 35mm	36 - 37mm	38 - 39mm	40 - 41mm	42 - 43mm	44 - 45mm	46 - 47mm	48 - 49mm	-	
55mm	IDEAL 4000, IDEAL 5000, Nord-line Sash, smart-slide ^{5) 6)} IDEAL 2000 + 8mm ->120x26, 120x32, 120x82, 120x86, 140x46, 140x47	4mm	4 - 5mm	6 - 7mm	8 - 9mm	10 - 11mm	12 - 13mm	14 - 15mm	16 - 17mm	18 - 19mm	20 - 21mm	22 - 23mm	24 - 25mm	26 - 27mm	28 - 29mm	30 - 31mm	32 - 33mm	34 - 35mm	36 - 37mm	38 - 39mm	40 - 41mm	42mm	
47mm	IDEAL 2000 ->120x300000096, 120x310000096	4mm	-	-	-	-	3 - 4mm	5 - 6mm	7 - 8mm	9 - 10mm	11 - 12mm	13 - 14mm	15 - 16mm	17 - 18mm	19 - 20mm	21 - 22mm	23 - 24mm	25 - 26mm	27 - 28mm	29 - 30mm	31 - 32mm	-	
47mm	IDEAL 2000, multi-slide ⁵⁾	3mm	-	-	-	-	4 - 5mm	6 - 7mm	8 - 9mm	10 - 11mm	12 - 13mm	14 - 15mm	16 - 17mm	18 - 19mm	20 - 21mm	22 - 23mm	24 - 25mm	26 - 27mm	28 - 29mm	30 - 31mm	32 - 33mm	-	
32mm	easy-slide ⁵⁾	3mm	-	-	-	-	-	-	-	-	-	-	-	-	3 - 5mm	6 - 7mm	8 - 9mm	10 - 11mm	12 - 13mm	14 - 15mm	16 - 17mm	18 - 19mm	
20/22mm	mono-slide ^{5) 6)}	3/5mm	-	-	-	-	-	-	-	-	-	-	-	-	-	-	-	-	-	-	-	3 - 4mm	6 - 8mm

b	Glazing Beads	46mm	44mm	42mm	40mm	38mm	36mm	34mm	32mm	30mm	28mm	26mm	24mm	22mm	20mm	18mm	16mm	14mm	12mm	10mm	8mm
h = 20mm	black	140741	140841	140641	120740	120840	120640	120738	120838	120638	120736	120836	120636	120835	120635	120833	120633	120832	120632	140831	140631
	papyrus-white	140771	140871	140671	120770	120870	120670	120768	120868	120668	120766	120866	120666	120865	120665	120863	120663	120862	120662	140861	140661
h = 30mm	black	-	-	-	-	-	-	-	-	-	-	130836	130636	130754	130854	130654	130753	130853	130653	-	-
	papyrus-white	-	-	-	-	-	-	-	-	-	-	130866	130666	130784	130884	130684	130783	130883	130683	-	-
h = 20mm	black	-	-	-	-	-	-	-	-	-	-	-	-	-	-	-	-	-	-	-	-
	papyrus-white	-	-	-	-	-	-	-	-	-	-	-	-	-	-	-	-	-	-	-	-
h = 30mm	black	-	-	-	-	-	-	-	-	-	-	-	-	-	-	-	-	-	-	-	-
	papyrus-white	-	-	-	-	-	-	-	-	-	-	-	-	-	-	-	-	-	-	-	-



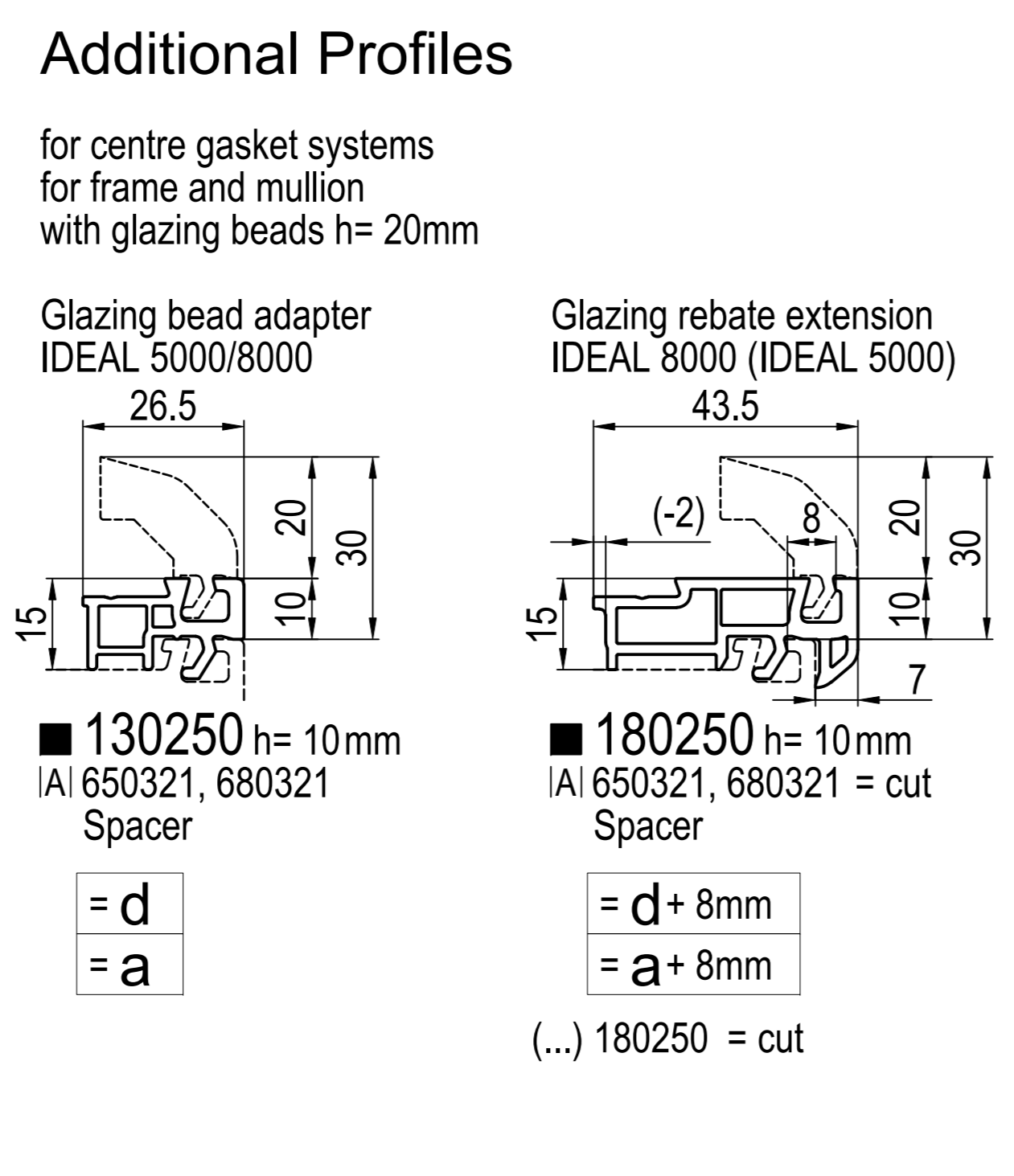
i compressed gasket

1) for backstop gasket systems
2) for centre gasket systems
3) or profile with gasket
4) Sash (Lift-and-slide door)
5) Sash (Sliding window)
6) Frame (Sliding window)

☐ not laminated
■ laminated

IP Aluskin Aluminium shells
-> for
(CL) Classic-line
(RL) Round-line
(SL) Soft-line

bl black ~ RAL 9005
pw papyrus-white ~ RAL 9018
oc ochre



Repair gaskets

IXI Gaskets -> Main Profiles

Glazing thickness	= d	Standard	= d	Option	= d	Option	= d	Option	-	-	-	-	= d - 2mm
IDEAL 2000, multi-slide ⁵⁾	-	-	= d + 1mm	= d + 1mm	= d + 1mm	= d	Standard	= d	Option	= d	IP Aluskin	= d	IP Aluskin = d - 1mm
IDEAL 4000, IDEAL 5000, IDEAL 7000, IDEAL 8000, Nord-line, lift-slide ⁴⁾ , smart-slide ^{5) 6)} , IDEAL 2000	-	= d	Standard	= d	Option	= d	Option	= d - 1mm	= d - 1mm	-	-	-	= d - 2mm
easy-slide ⁵⁾	-	= d + 2mm	= d + 2mm	= d + 2mm	= d + 1mm	= d + 1mm	-	-	-	-	-	-	= d Standard
mono-slide ⁵⁾	-	= d	Option	= d	Standard	= d	Option	= d - 1mm	= d - 1mm	-	-	-	= d - 2mm
easy-slide ⁶⁾ , mono-slide ⁶⁾	-	-	-	-	-	-	-	-	-	-	-	-	= d - 2mm

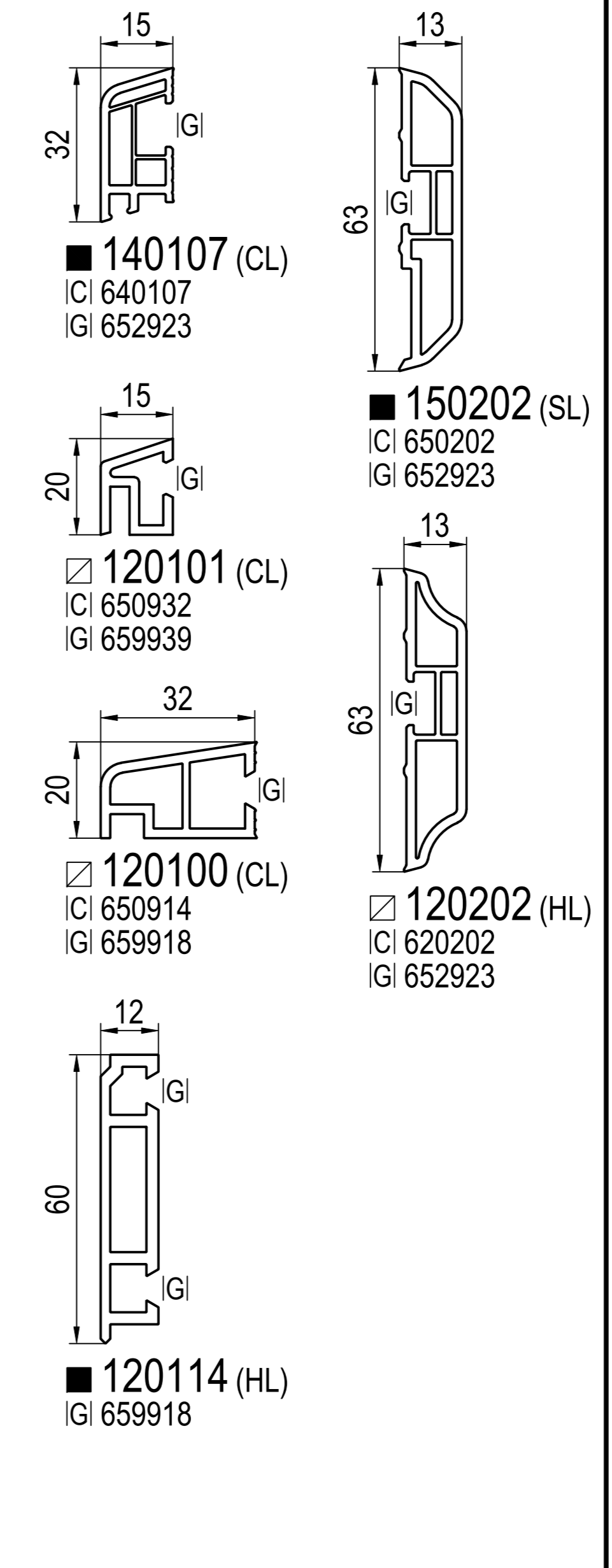
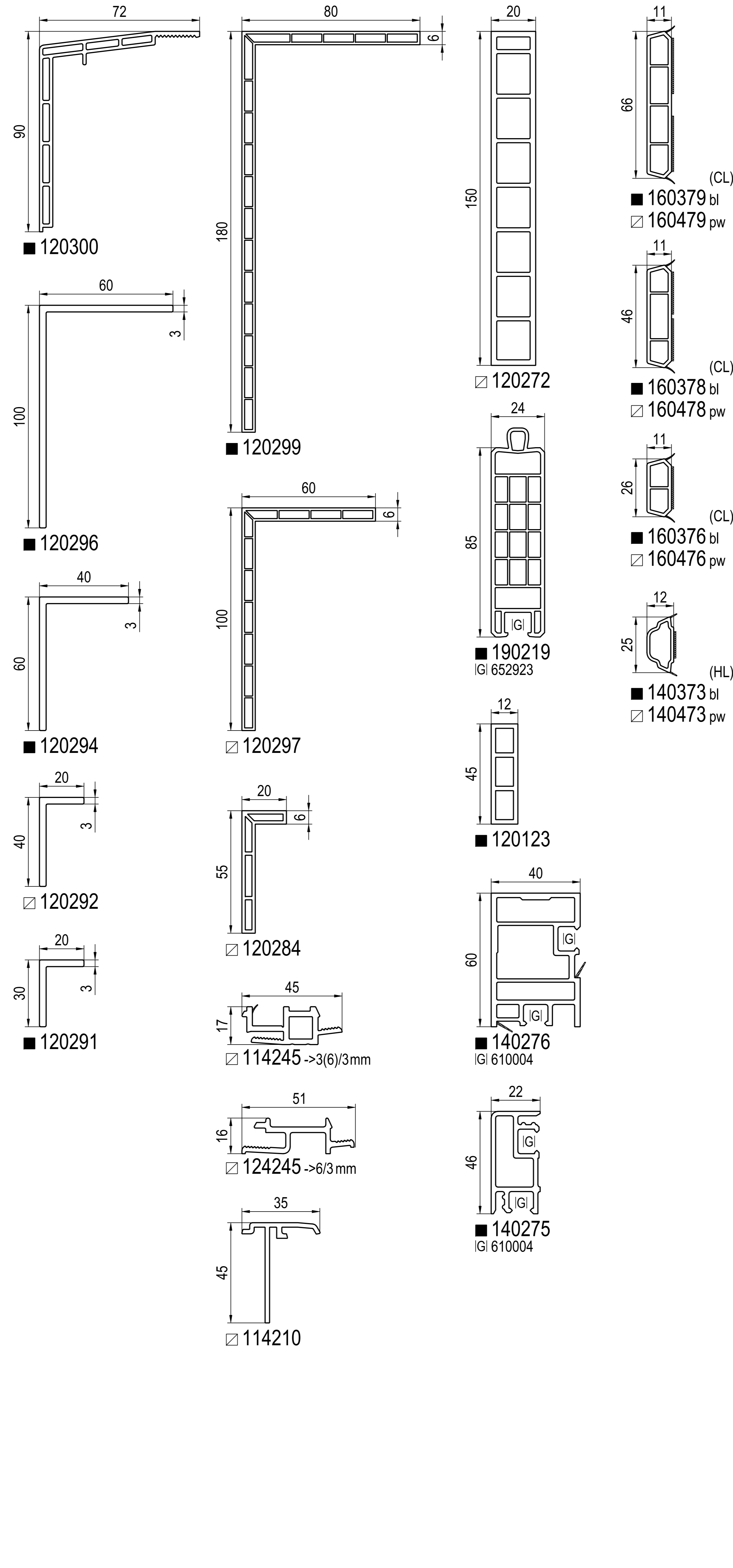
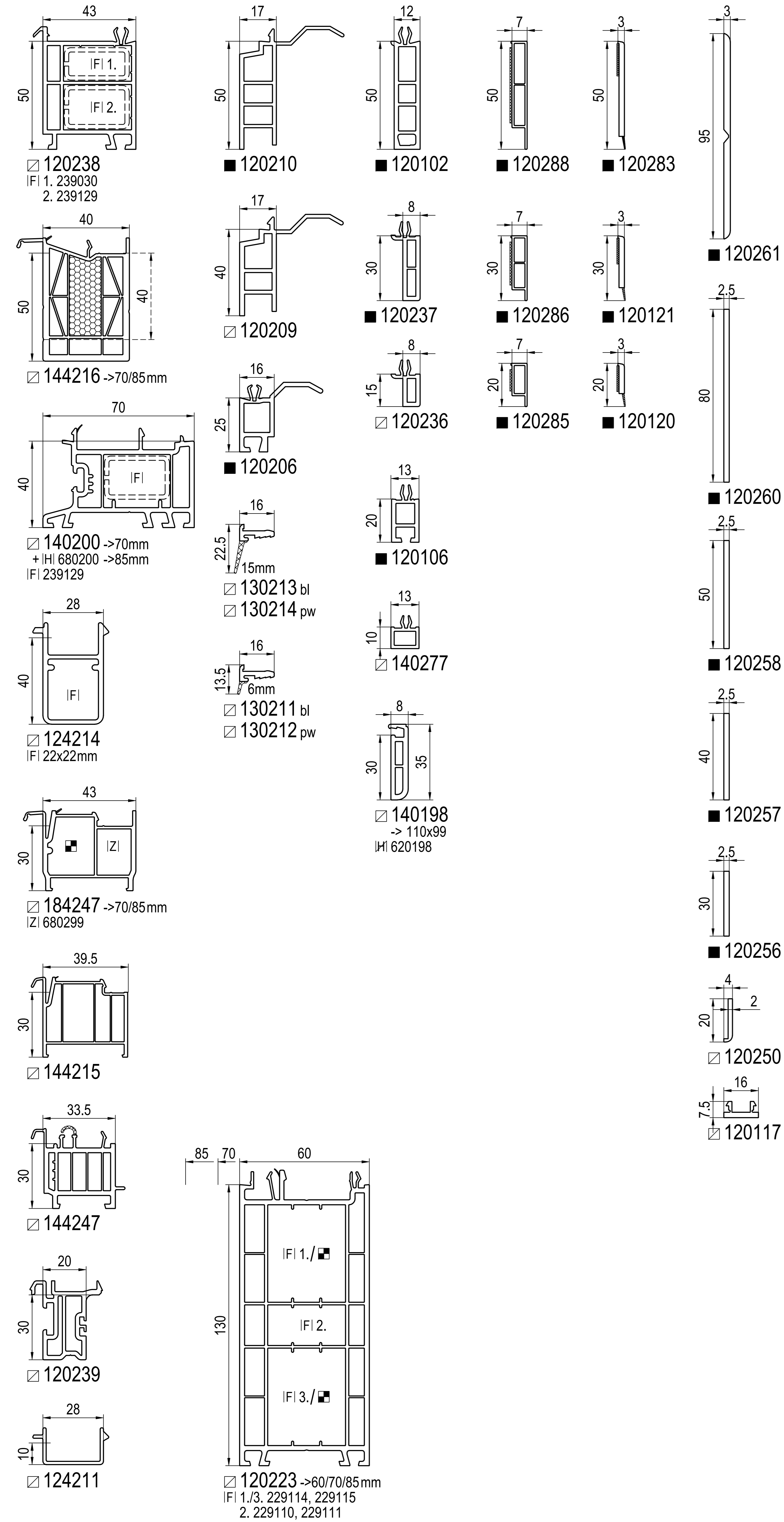
compression [mm] [2.5-3.5] [2.5-3.5] [3-3.5] [3-5] [4-4.5] [4-4.5] [4] [4] [4.5-7.0]

IXI Gaskets -> Glazing Beads

xxx6xx [2]	xxx8xx [3-4]	xxx7xx [6]
429921 bl 427921 pw C = 3mm	459922 bl - pw - oc C = 3mm	409076 bl - pw - oc C = 3mm
429310 bl 427310 pw	429311 bl 427311 pw	429312 bl 427312 pw
459925 bl 450925 pw 453925 oc C = 3mm	479025 bl 477025 pw C = 4mm	479015 bl 477015 pw C = 4mm
459951 bl - pw - oc C = 4mm	449986 bl 447986 pw C = 4mm	459923 bl - pw - oc C = 5mm

Standard -> IP
Option -> IP

General



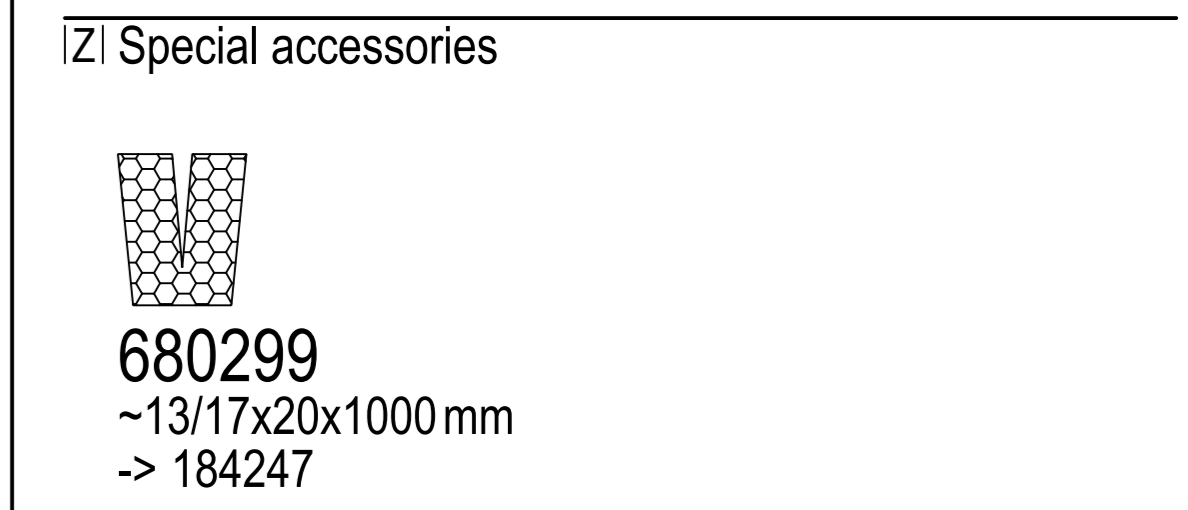
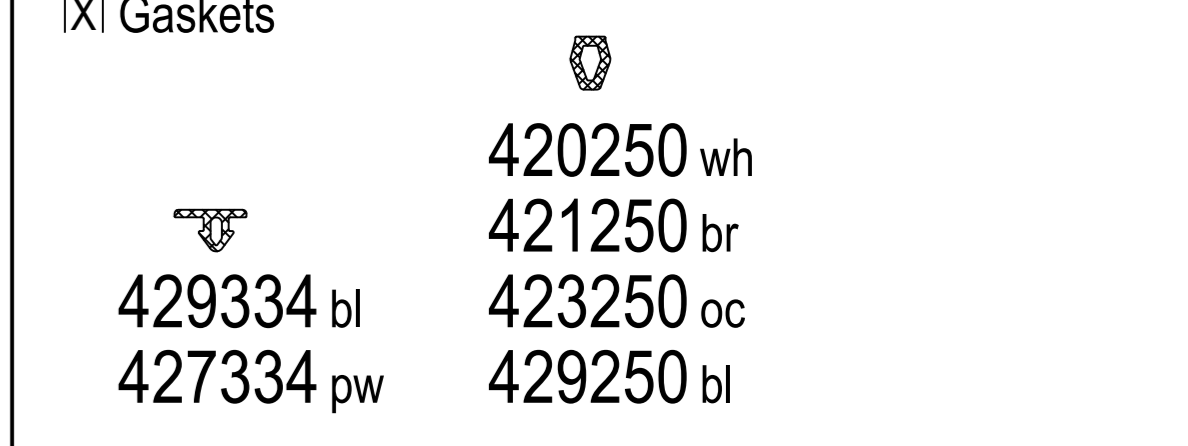
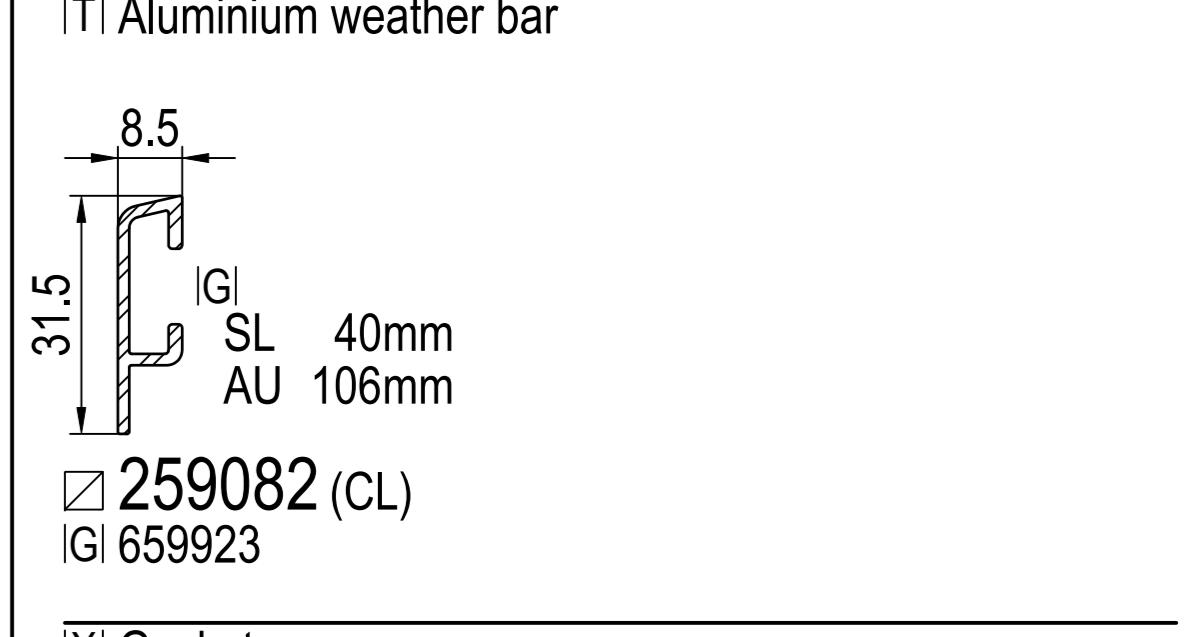
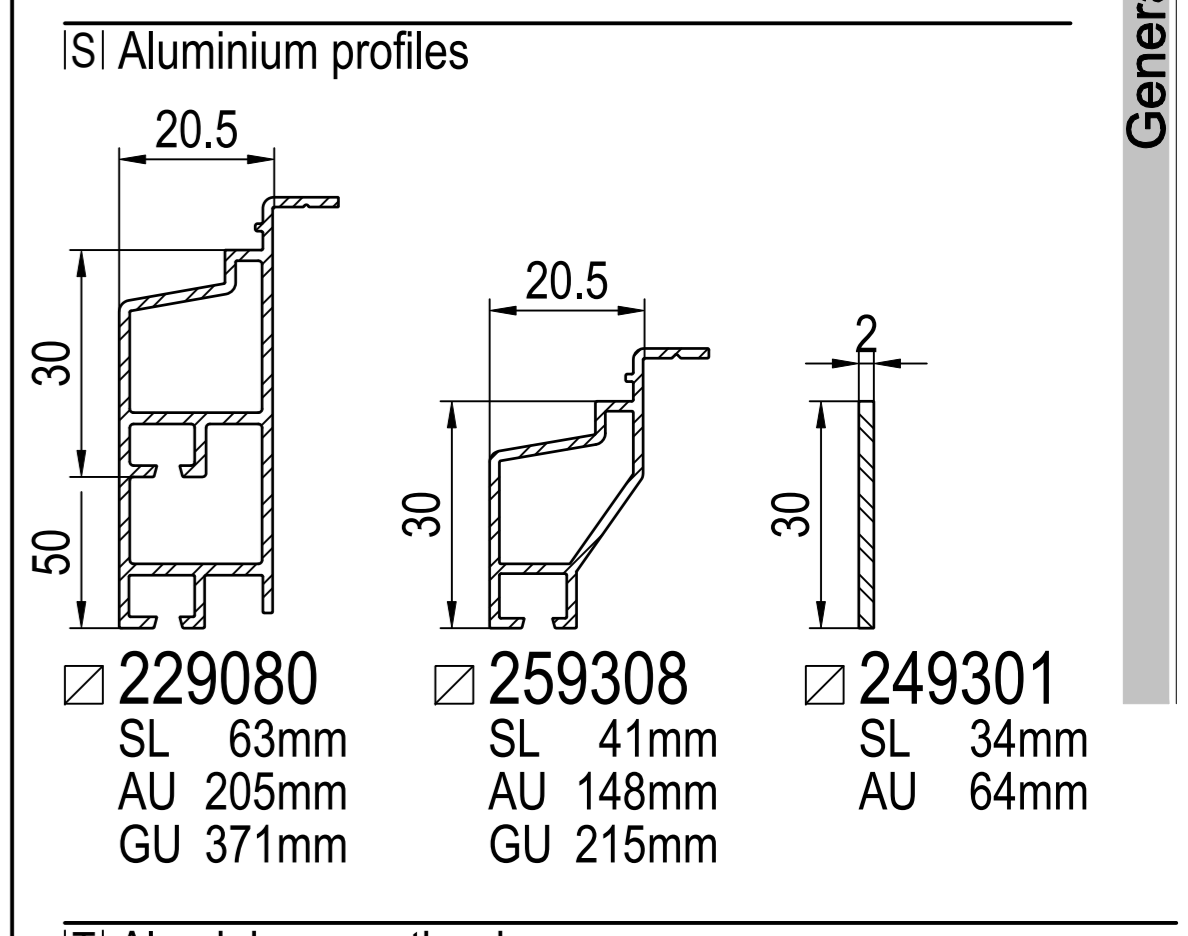
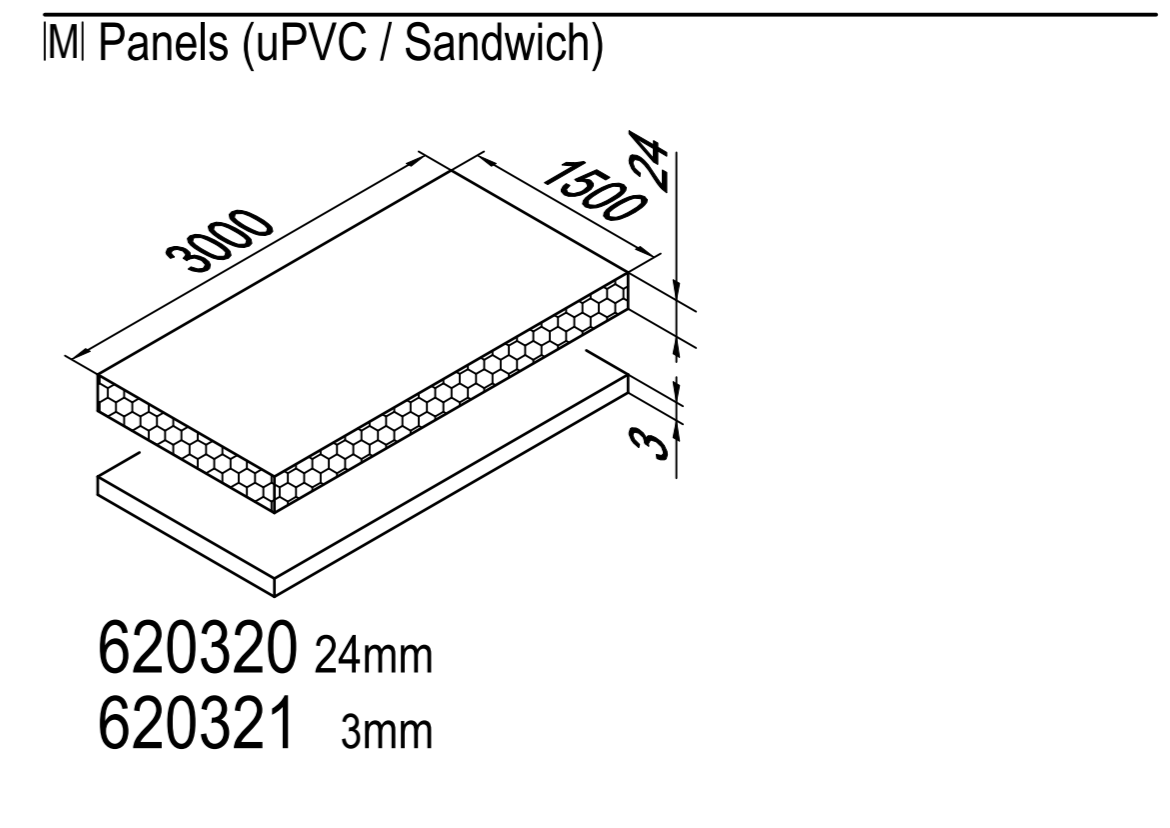
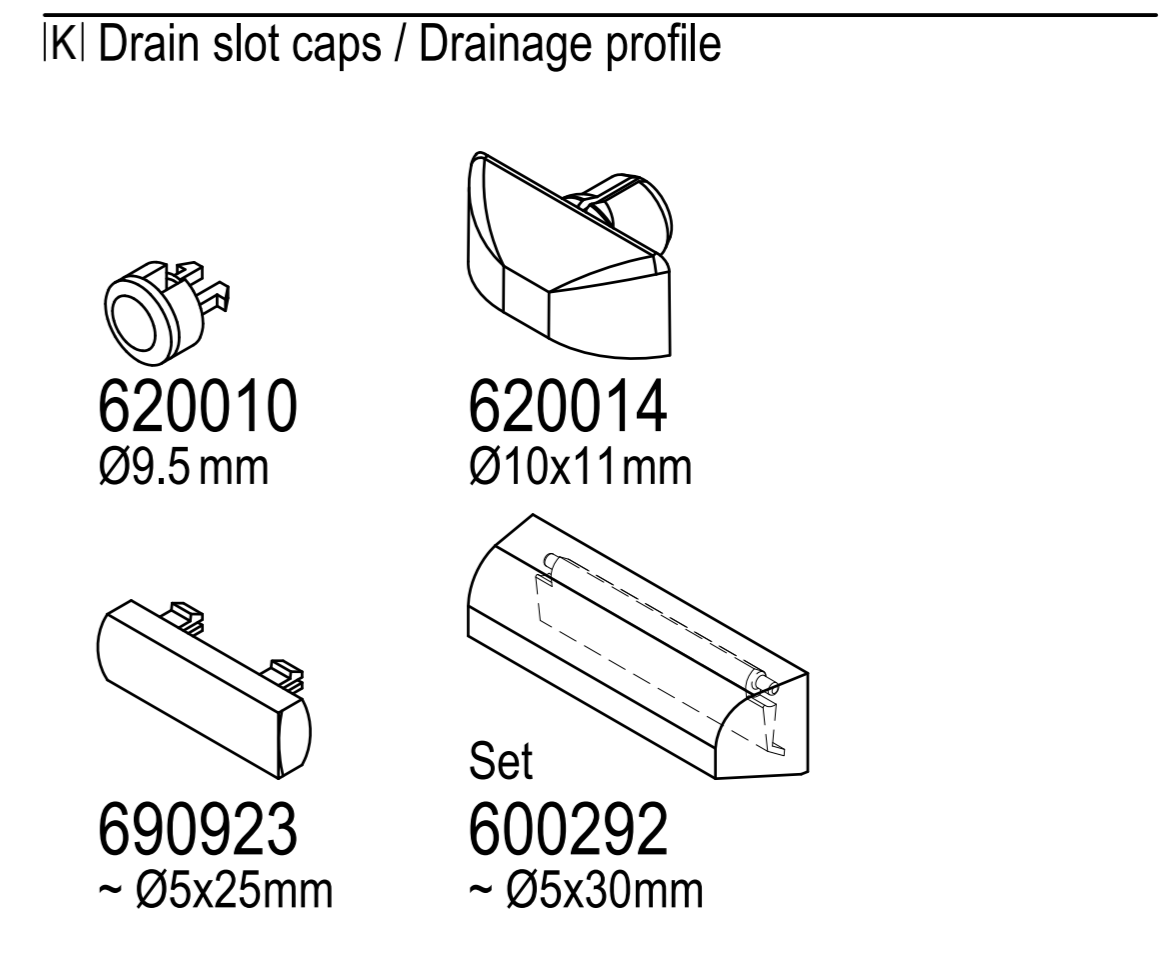
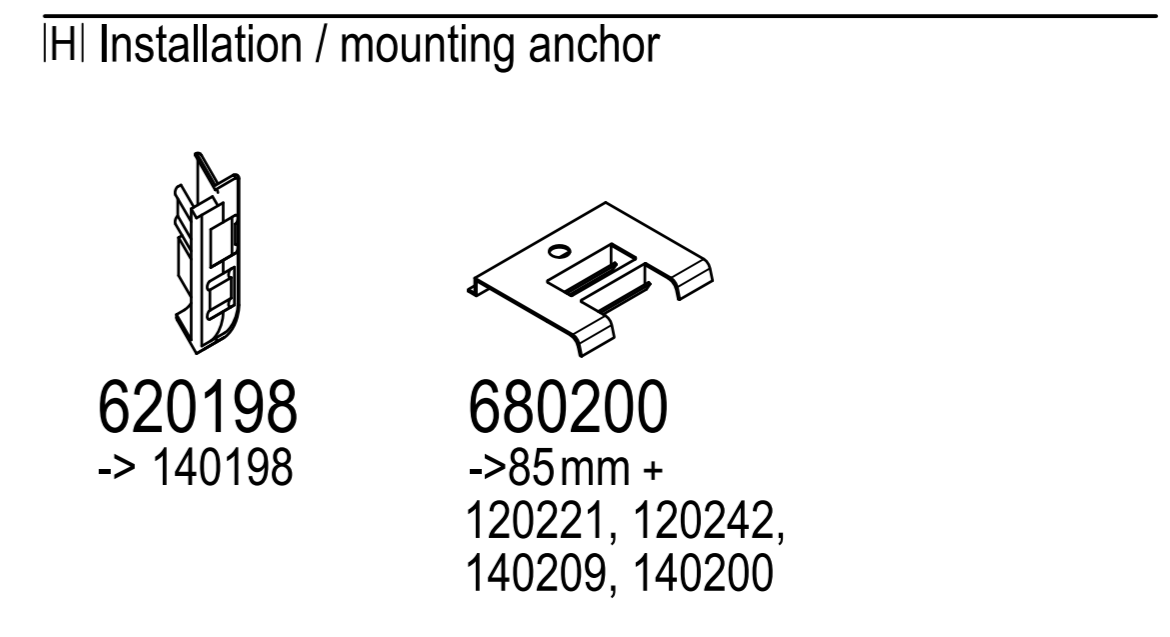
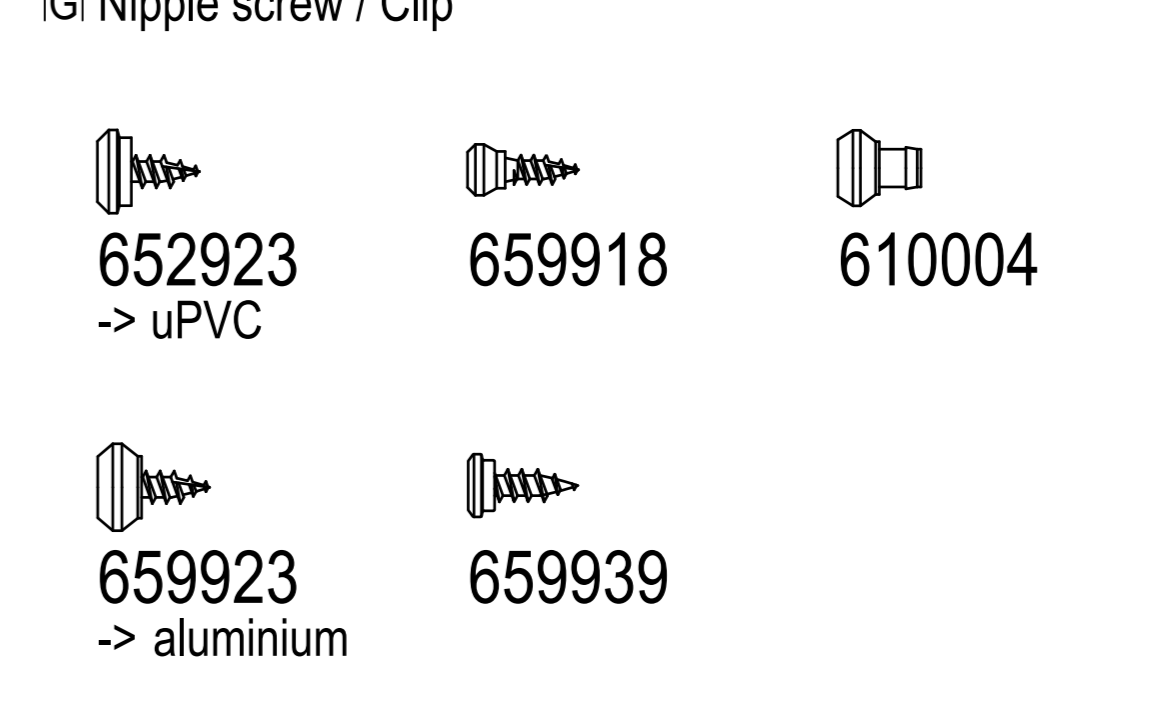
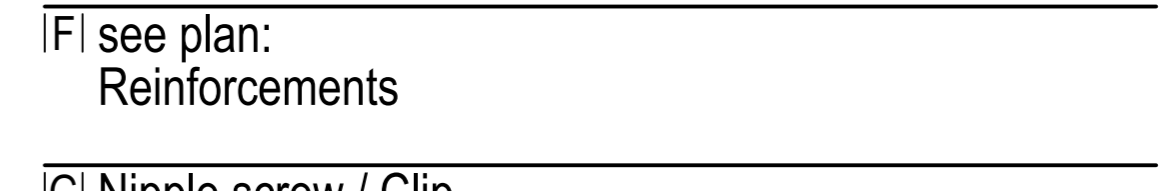
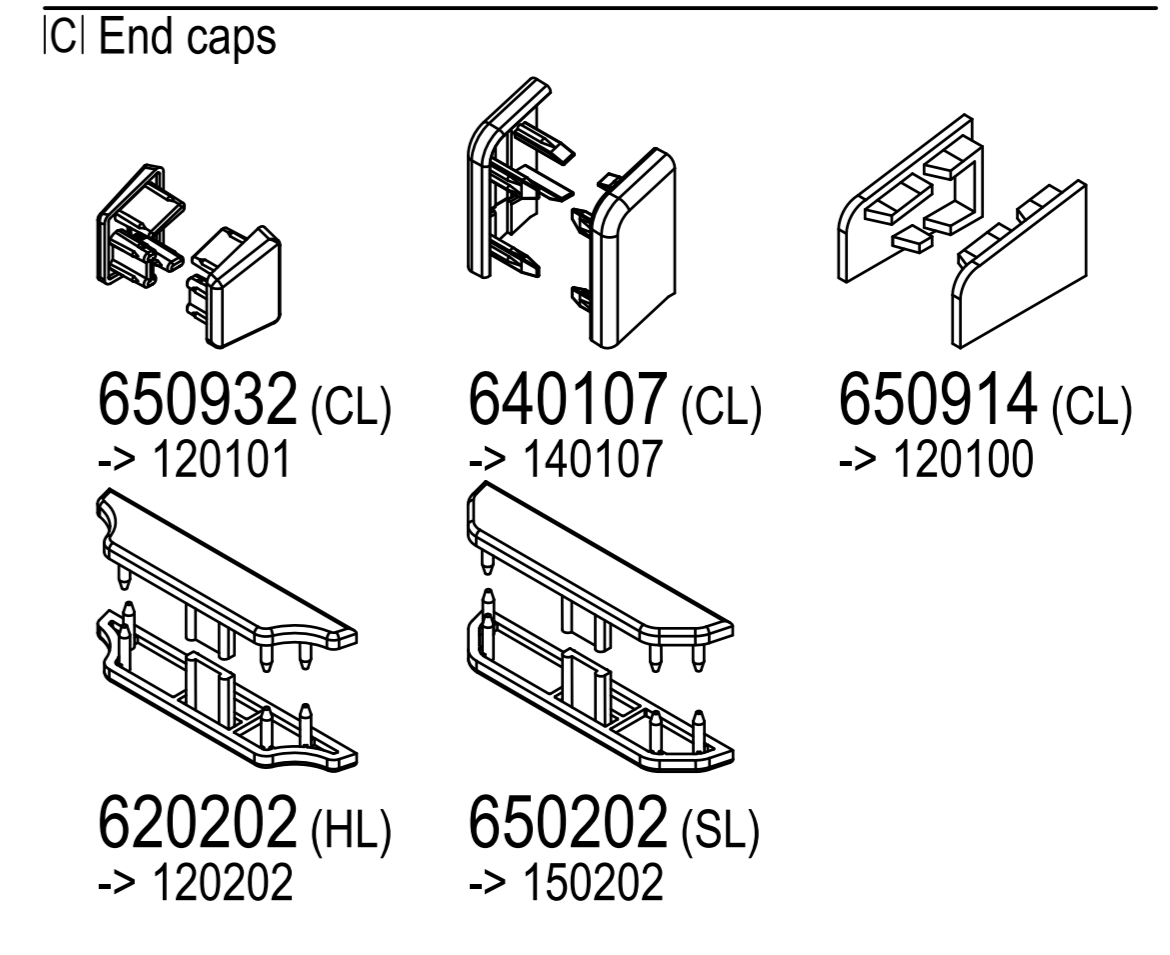
Accessories

AI Spacer

660911	2x12x100mm
669922	3x12x100mm
669944	5x12x100mm
660916	2x20x100mm
669919	3x20x100mm
669920	4x20x100mm
660900	4x22x100mm
659905	1x25x 90 mm
659906	2x25x 90 mm
659907	5x25x 90 mm
669912	2x28x100mm
669911	3x28x100mm
669910	4x28x100mm
659908	5x28x100mm
660901	2x30x100mm
660902	3x30x100mm
660903	4x30x100mm

659935 2x34x100mm 2 mm ~ blue
659936 3x34x100mm 3 mm ~ red
659937 4x34x100mm 4 mm ~ yellow
659938 5x34x100mm 5 mm ~ green

229080 SL 63mm AU 205mm GU 371mm
259308 SL 41mm AU 148mm GU 215mm
249301 SL 34mm AU 64mm

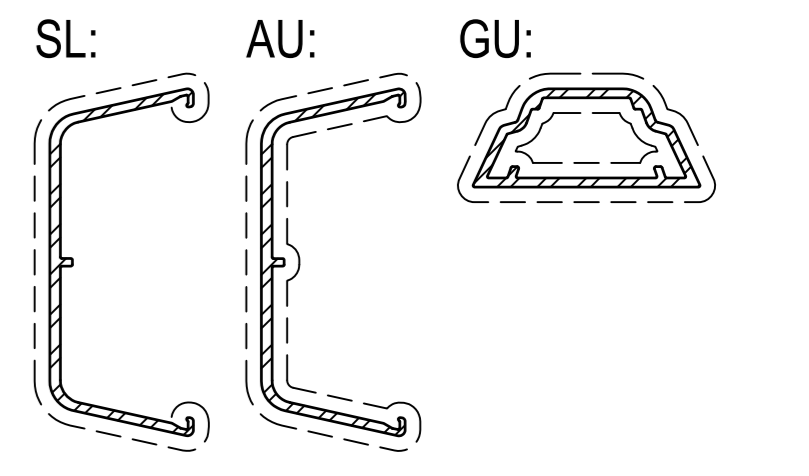


□ not laminated
■ laminated
■ foam inside -> □
-> for
(CL) Classic-line
(RL) Round-line
(SL) Soft-line
(HL) Historik-line

br brown
gr grey
oc ochre
bl black
pw papyrus-white
wh white

Construction depth
->60mm ->IDEAL 2000
->70mm ->IDEAL 4000 / 5000
->85mm ->IDEAL 7000 / 8000
... ->IDEAL 2000 - 8000

SL visible length
AU exterior perimeter
GU overall perimeter



Extensions

120227 ->60/70mm
140227 ->70mm
180227 ->85mm
120220 ->60/70mm
140209 ->70mm + IHI 680200 ->85mm
180209 ->85mm
120242 ->60/70mm + IHI 680200 ->85mm
140205 ->70mm + IHI 680200 ->85mm
180201 ->85mm
120221 ->60/70mm + IHI 680200 ->85mm
140207 ->70/85mm
180203 ->85mm
120222 ->60/70mm + IHI 680200 ->85mm
140208 ->70/85mm
180204 ->85mm
140206 ->70/85mm

IFI -> Extension profile

249335 (CL) -> 120242, 140205, 180201
249360 (CL) -> 120221, 140207, 180203
249310 (CL) -> 140208, 180204

Couplings

120116
120224 (IHI 459905)
120240 ->60/70mm
120241 ->60/70mm
140203 ->70mm
120217 ->60mm
140267 ->70mm
180267 ->85mm
120275 90° ->60mm
140248 90° ->60/70/85mm
140249 135° ->60/70/85mm

IFI -> Couplings

249448 (CL) (IHI 654930 -> 140248)

Structural profiles

Couplings

120224 ->85mm
120219 ->60/70/85mm
140267 ->70mm
180267 ->85mm
140218 ->70mm (IHI T-01)
140218 ->85mm (IHI T-01)

IFI -> Structural profiles

270044 wh + **270045 wh**
279044 aluminium + **279045 aluminium**

Accessories

AI Spacer

640302 2x50x100 mm -> Couplings

FI Reinforcements

Sash: IDEAL 2000+8, IDEAL 4000, IDEAL 5000, IDEAL 7000, IDEAL 8000
 Sash: IDEAL 7000, IDEAL 8000

GI Nipple screw / Clip

654930 -> aluminium -> IPI... e.g. 249448

IHI Installation / mounting anchor

642025 3mm General -> Couplings
645050 5mm General -> Couplings
685058 General -> 050x04, 080x04, 180x04 *see plan: 1/4

Aluskin Aluminium shells

289210 (CL) + **289211 (CL)**

ISI Aluminium profiles

289210 (CL) (IHI 289211) + **289211 (CL)** (IHI 459922) -> e.g. 140218, 180218

ISI -> Structural profiles see Structural profiles

IXI Gaskets

449340 bl, **447340 pw** Standard -> 140243
449042 bl, **447042 pw** -> 140243
459922 bl (IHI 289211) pw
449140 bl, **447140 pw** = Couplings
449141 bl, **447141 pw** = Couplings
459905 bl -> 120224

not laminated
 laminated
 foam inside ->

-> for

gn green, bl black, pw papyrus-white, wh white

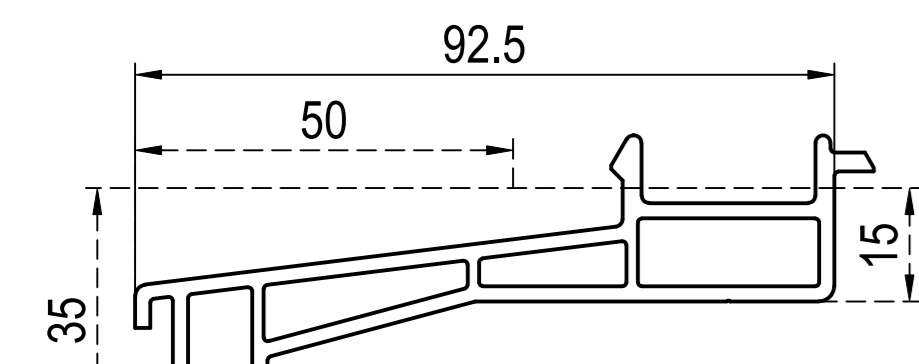
Construction depth: ->60mm ->IDEAL 2000, ->70mm ->IDEAL 4000 / 5000, ->85mm ->IDEAL 7000 / 8000, ... ->IDEAL 2000 - 8000

SL: visible length, AU: exterior perimeter, GU: overall perimeter

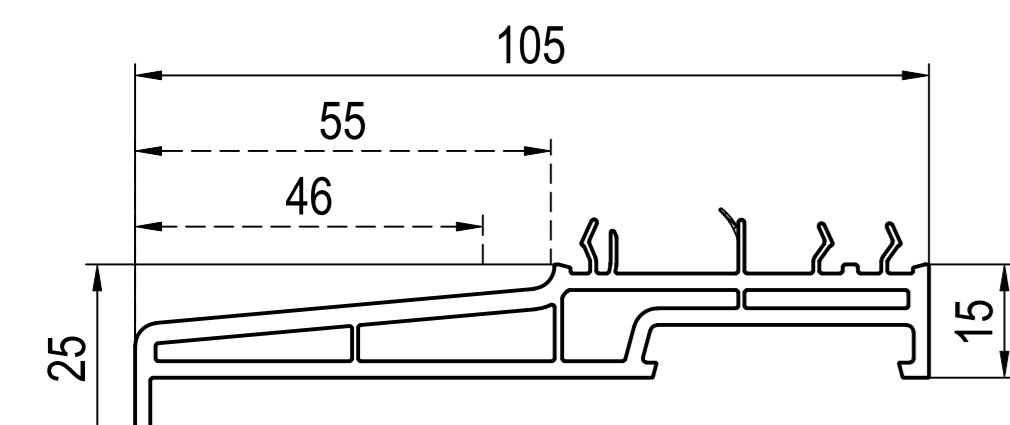
SL: AU: GU:

1) General e.g. -> Roller shutter box
 2) General e.g. -> Couplings
 3) General e.g. -> Extension profile

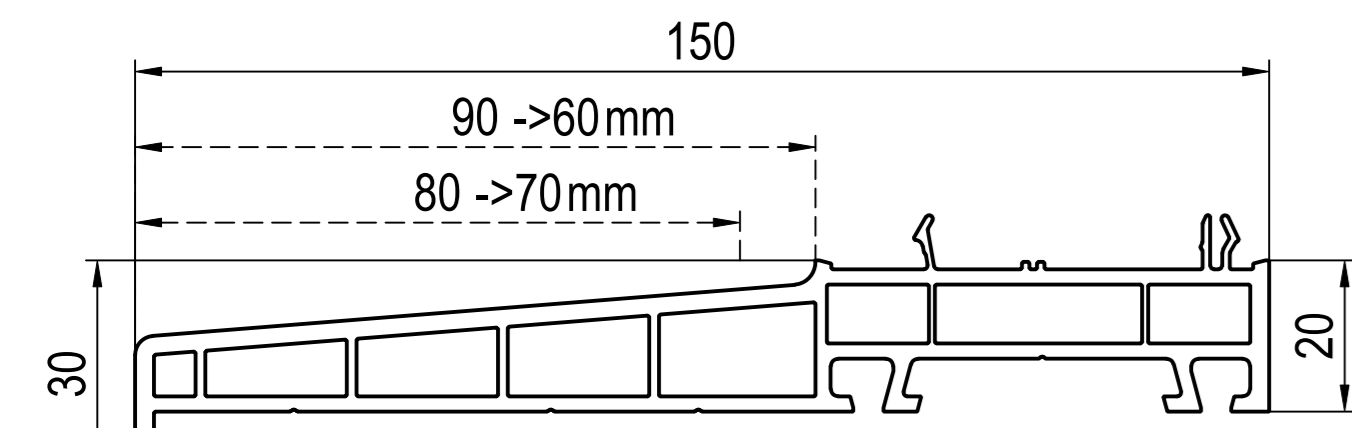
Exterior window sills



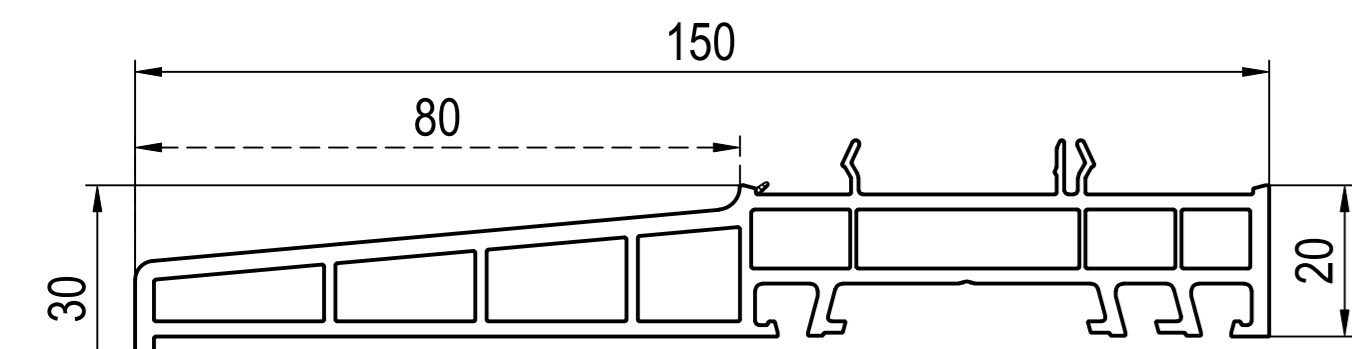
■ 120246
ICI 650921



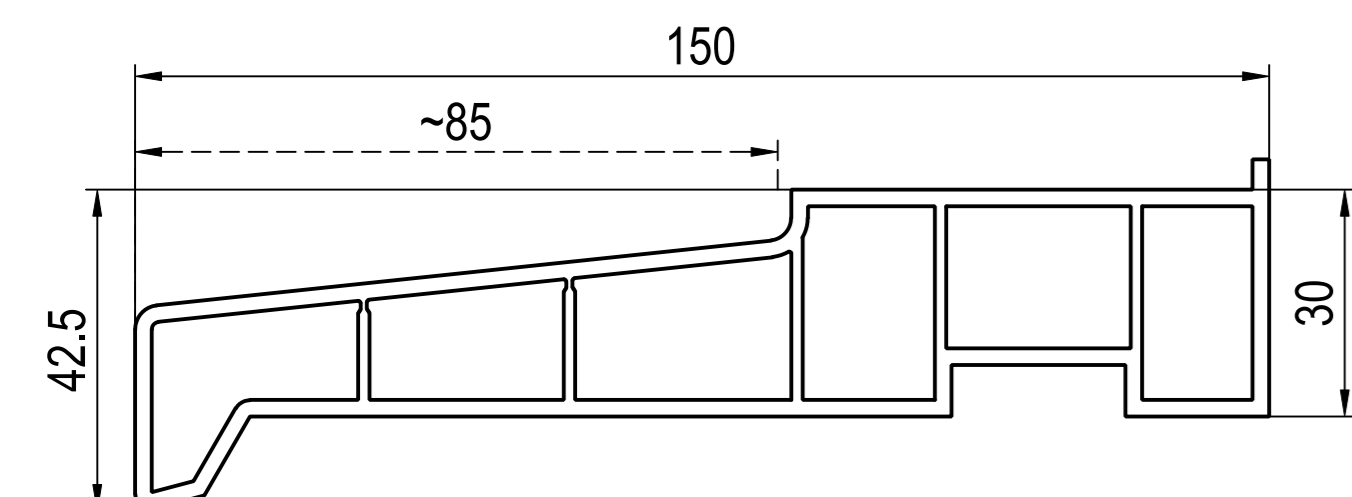
■ 120248
ICI 620249, 640238



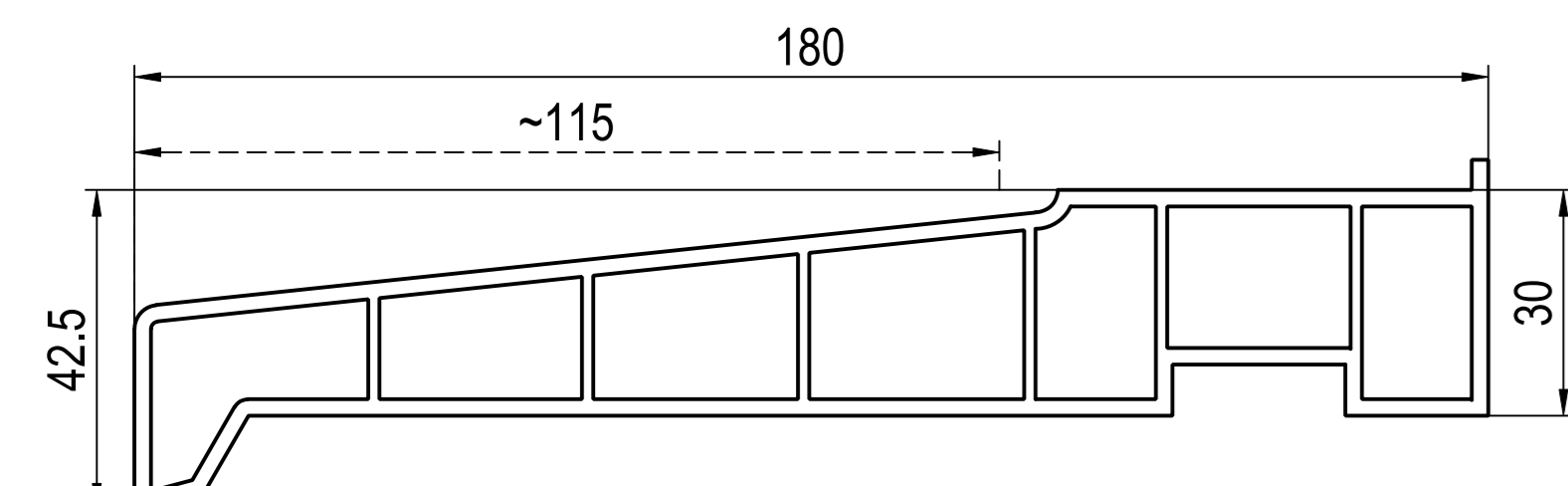
■ 120249
->60/70mm
ICI 640238
IPI 249449 ->70mm



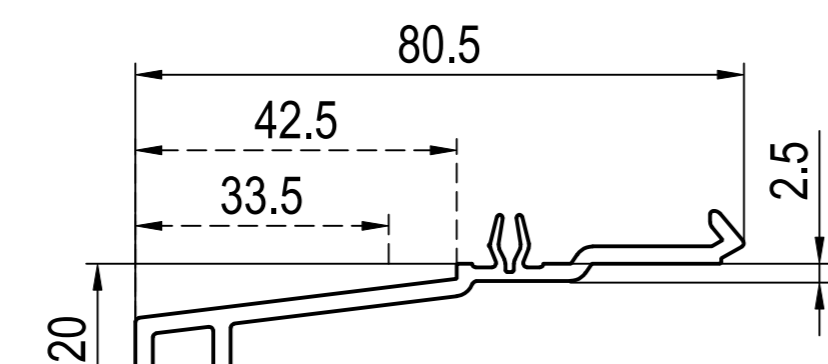
■ 140238
->70 mm
ICI 640238



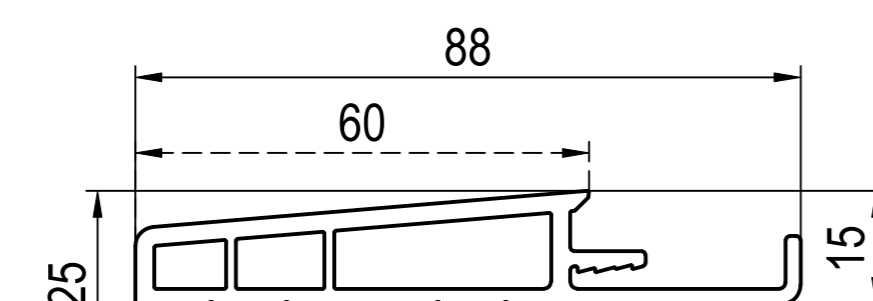
□ 100220
ICI 600220



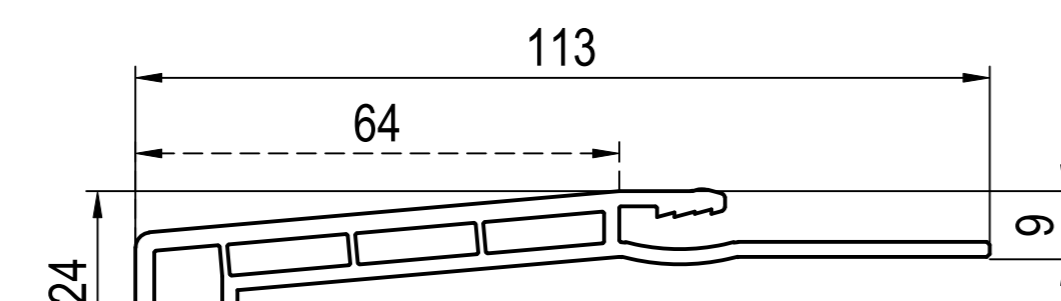
□ 120108
ICI 650902



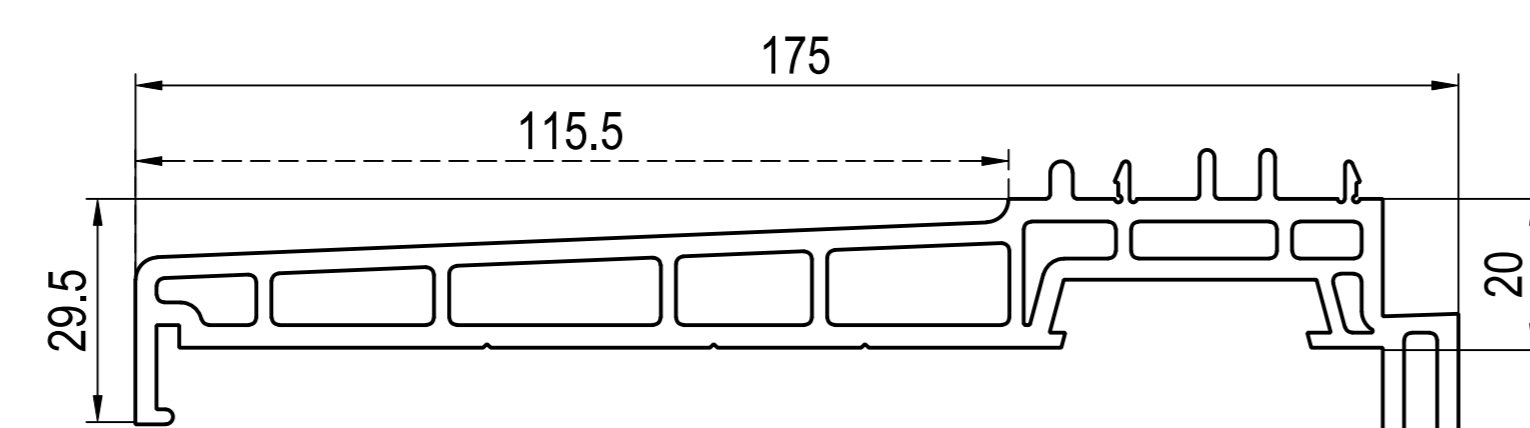
□ 140229



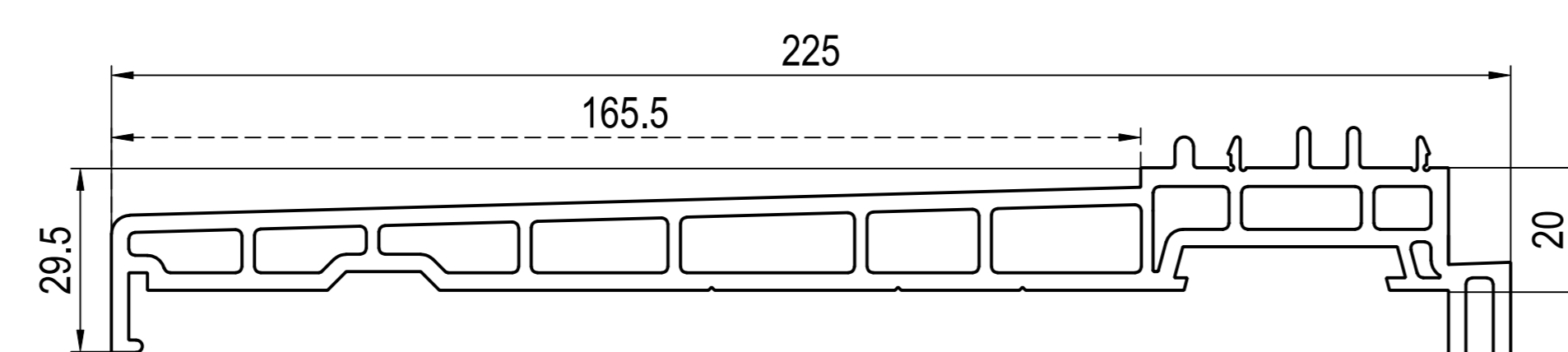
□ 110200
-> 110x99, 120x59
ICI 640238



■ 140219
-> 120x39, 120x91, 140x17, 140x090000011, 150x110000011
ICI 640238



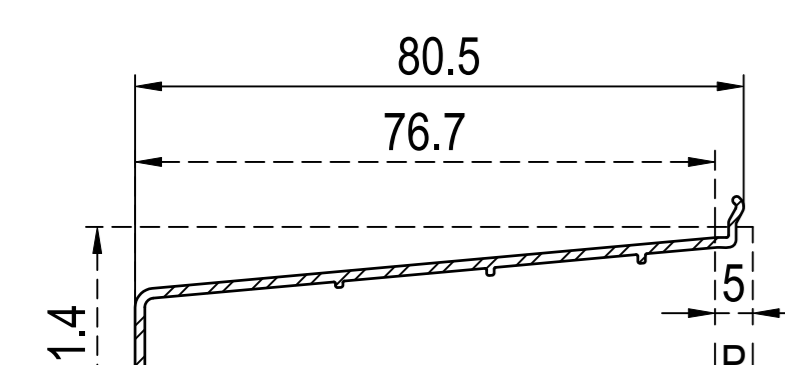
□ 120190



□ 120192

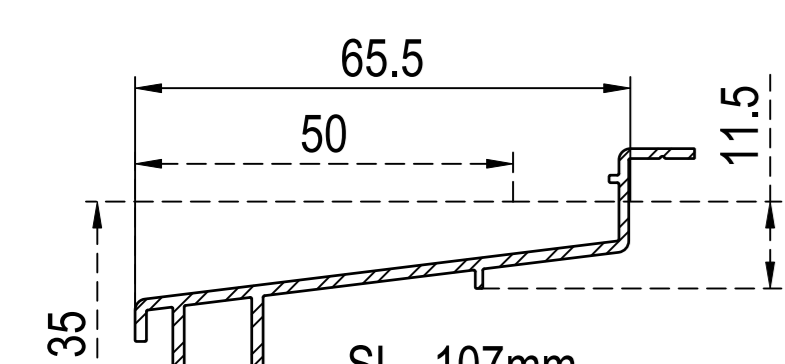
aluminium

IPI aluskin Aluminium shells



SL 114mm
AU 239mm
□ 249449 aluminium
-> 120249 ->70mm

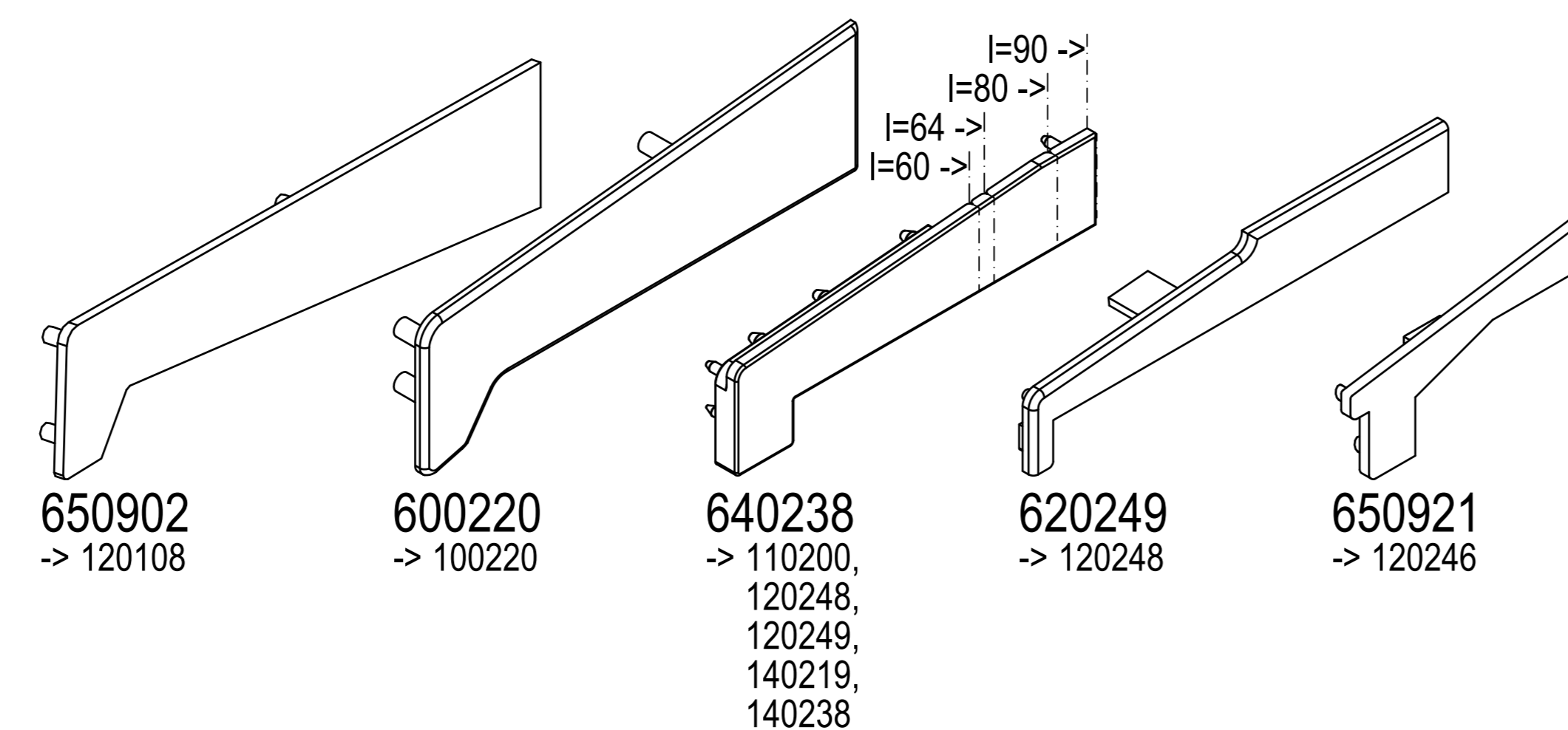
ISI Aluminium profiles



SL 107mm
AU 258mm
GU 302mm
□ 229246 aluminium

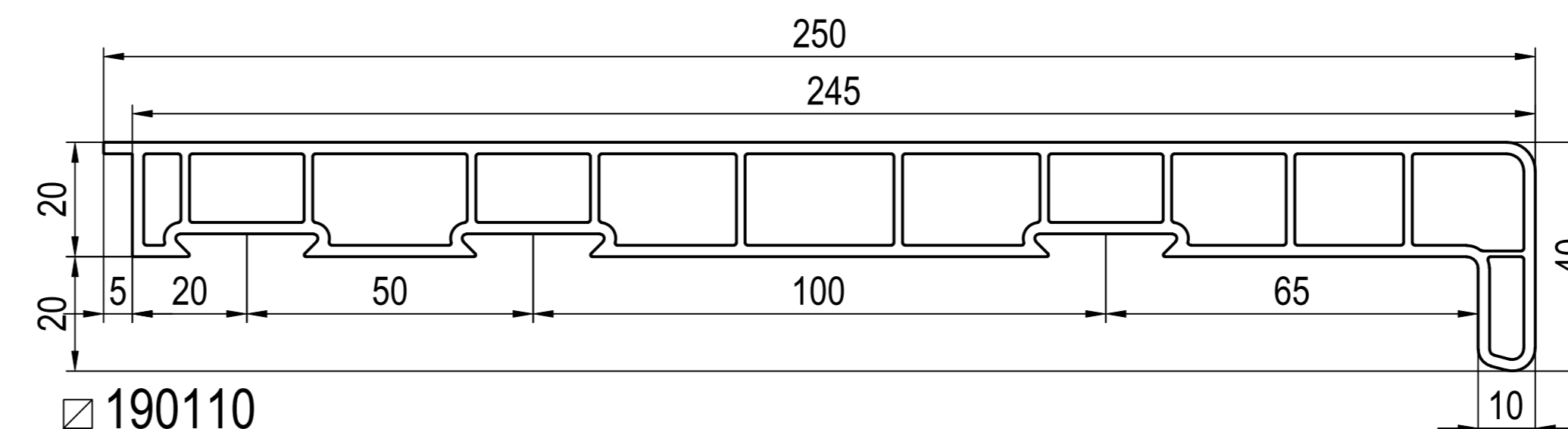
Accessories

ICI End caps

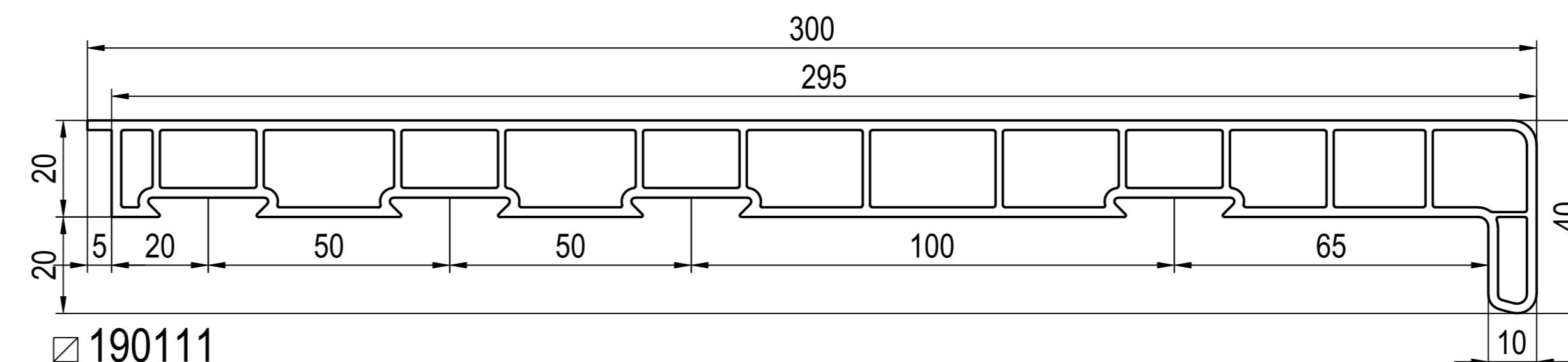


650902 -> 120108
600220 -> 100220
640238 -> 110200, 120248, 120249, 140219, 140238
620249 -> 120248
650921 -> 120246

Interior window sills



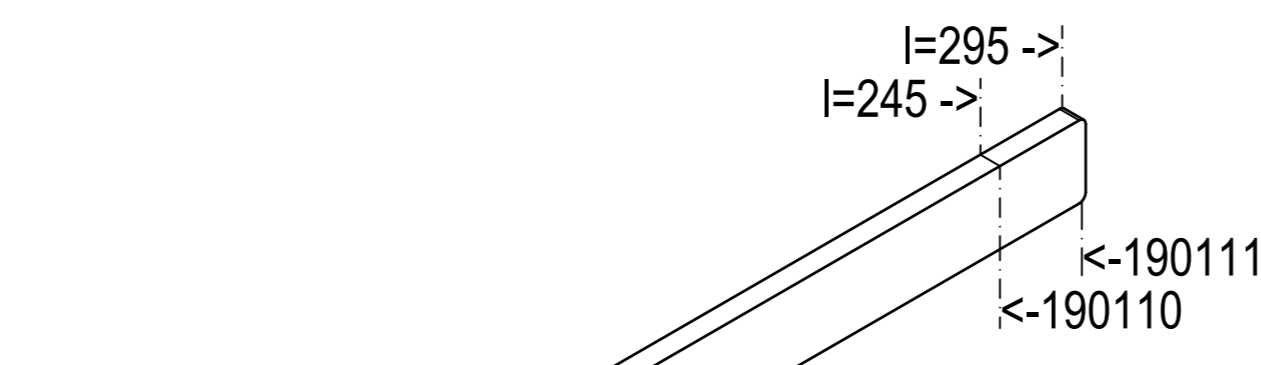
□ 190110
ICI 610911 cut



□ 190111
ICI 610911

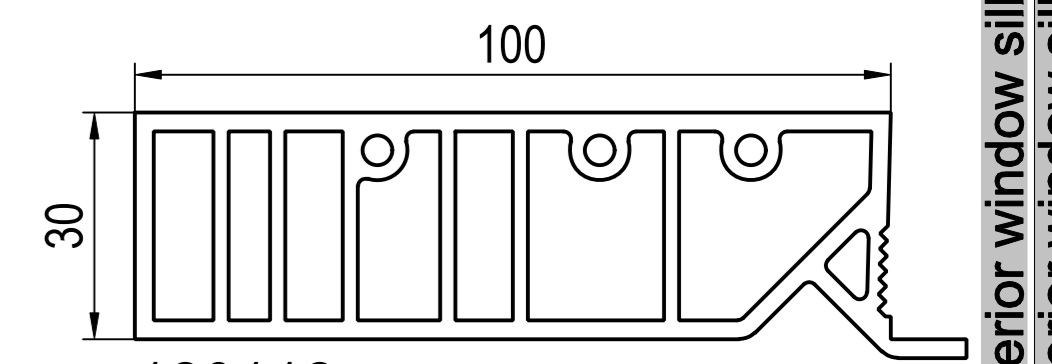
Accessories

ICI End caps

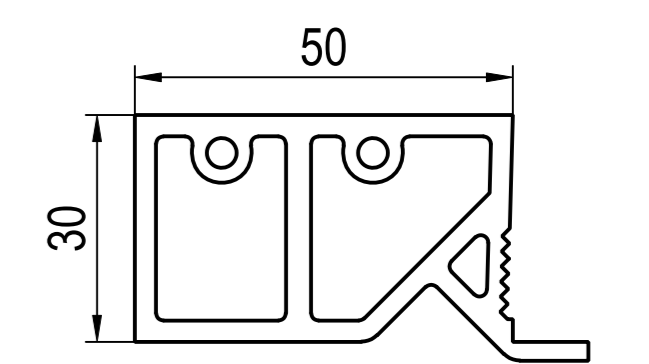


610911
-> 190110, 190111

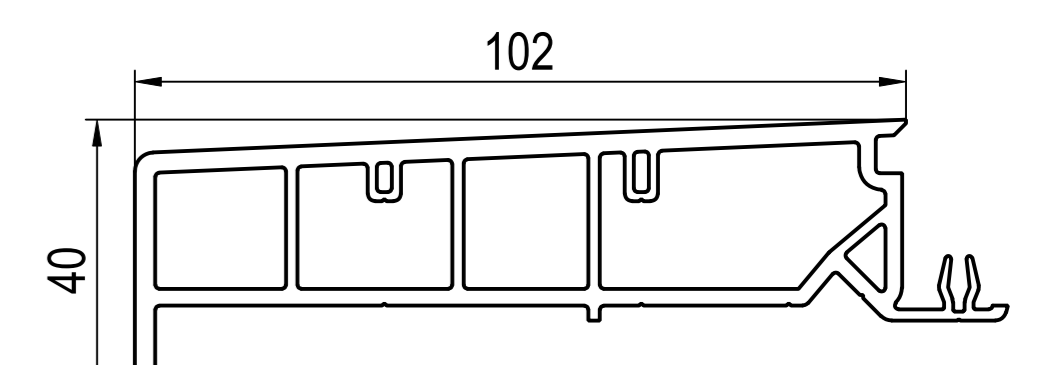
Frames



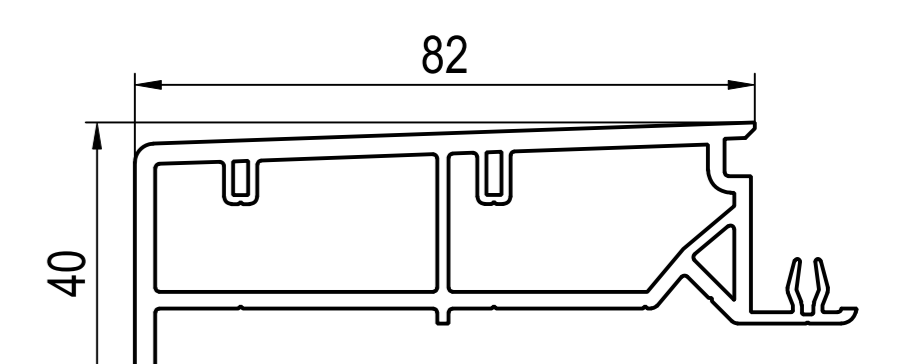
■ 120112



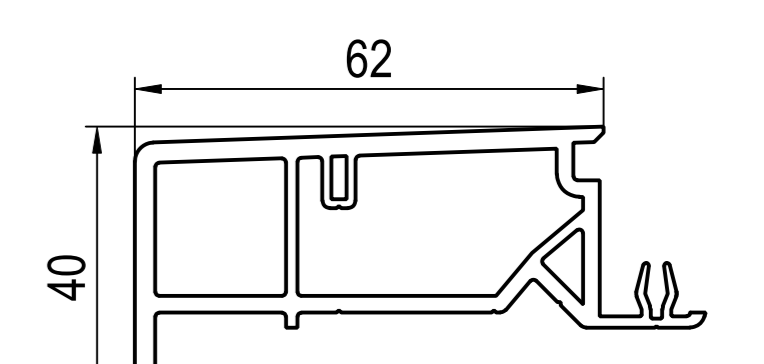
□ 120113



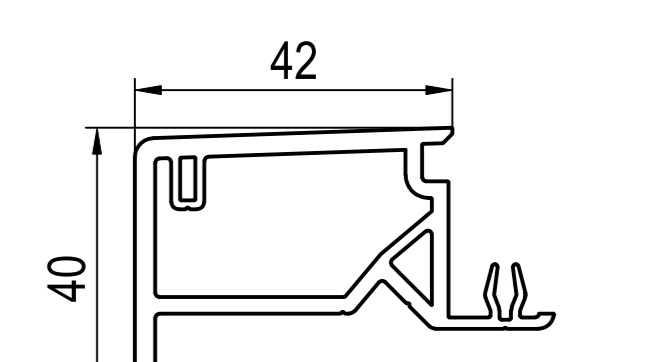
□ 120196



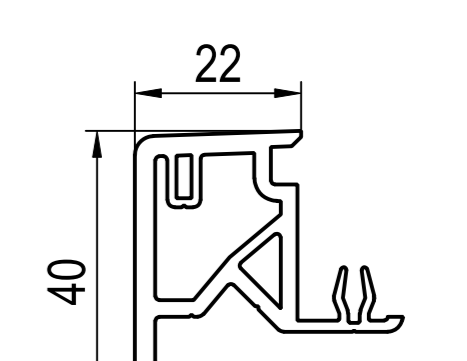
■ 120270



□ 120195



□ 120194



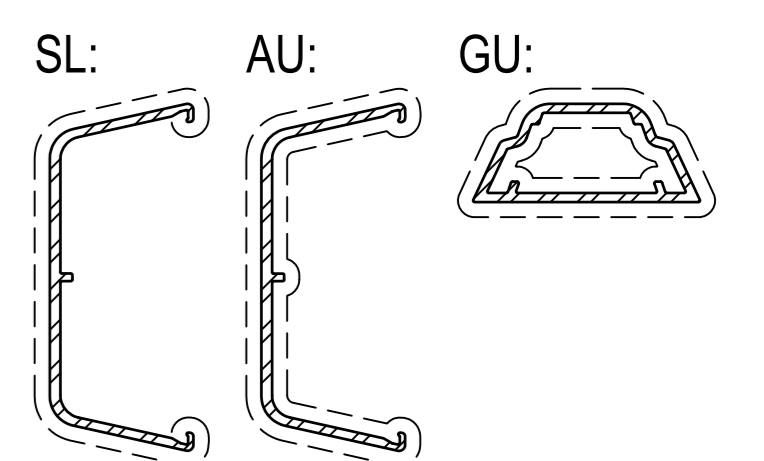
□ 120193

□ not laminated
■ laminated

-> for

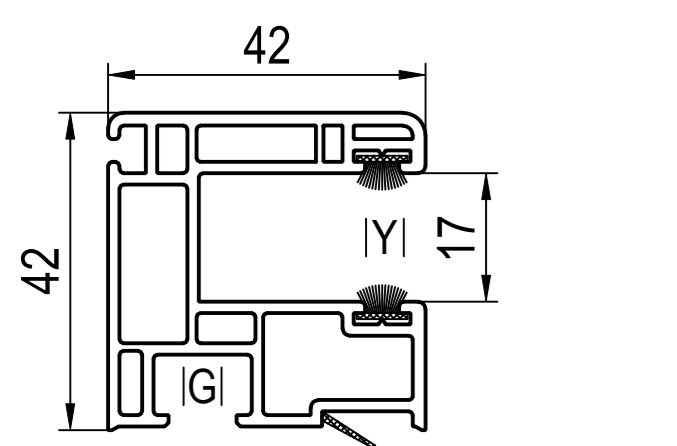
Construction depth
->60mm ->IDEAL 2000
->70mm ->IDEAL 4000 / 5000
->85mm ->IDEAL 7000 / 8000
... ->IDEAL 2000 - 8000

SL visible length
AU exterior perimeter
GU overall perimeter

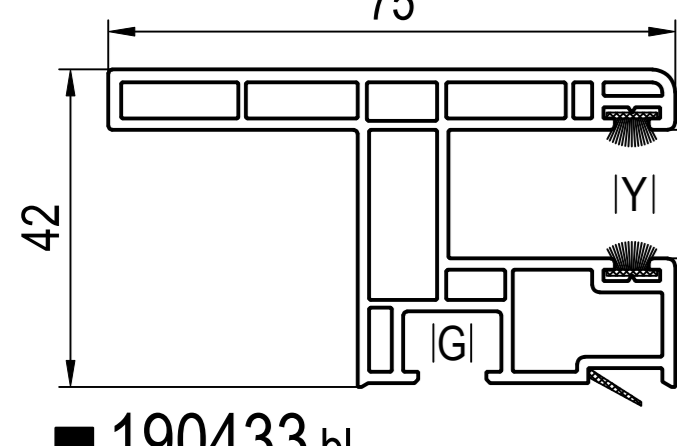


Roller shutter guides
-> max.-L

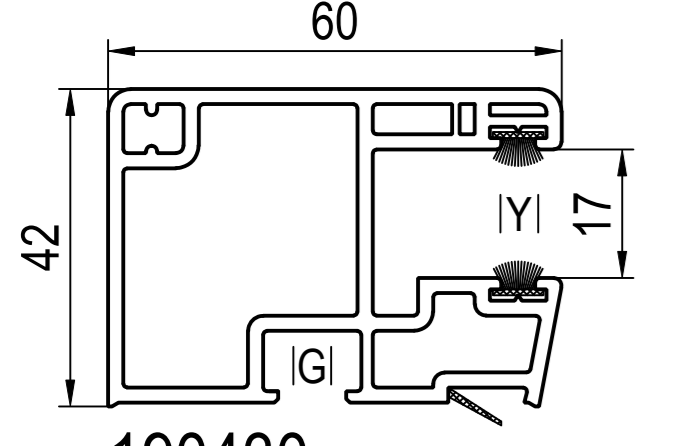
Roller shutter guides



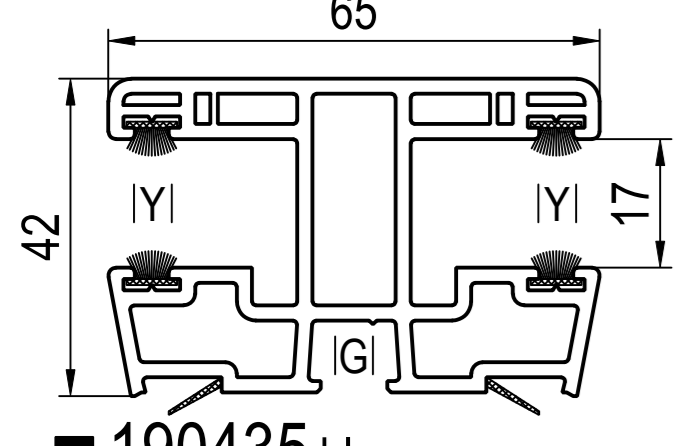
■ 120429 bl
BI 620042, 620044
CI 620032
GI 652923
YI 459930 -> max.-L Standard
YI 459932 -> mini-L Option



■ 190433 bl
BI 620042, 620044
CI -
GI 652923
YI 459930 -> max.-L Standard
YI 459932 -> mini-L Option



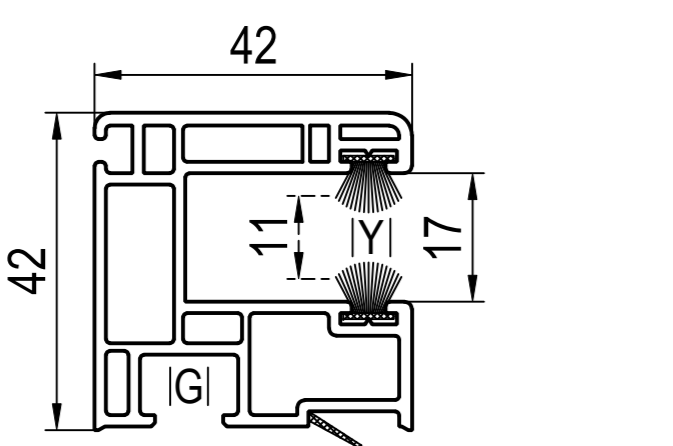
■ 190430 bl
BI 620038
CI 690030
GI 652923
YI 459930 -> max.-L Standard
YI 459932 -> mini-L Option



■ 190435 bl
BI 620038
CI 690035
GI 652923
YI 459930 -> max.-L Standard
YI 459932 -> mini-L Option

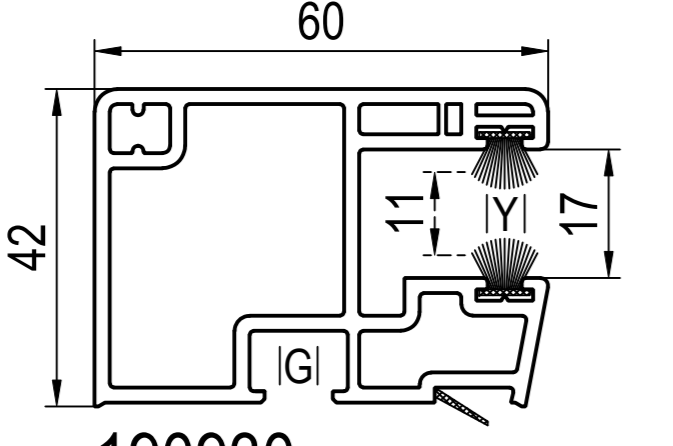
-> mini-L

Roller shutter guides

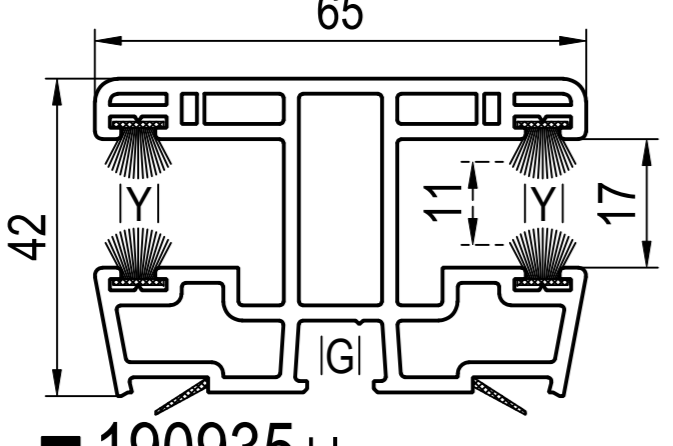


■ 120929 bl
BI 620042, 620044
CI 620032
GI 652923
YI 459930 -> max.-L Option
YI 459932 -> mini-L Standard

see
190433
+ Option



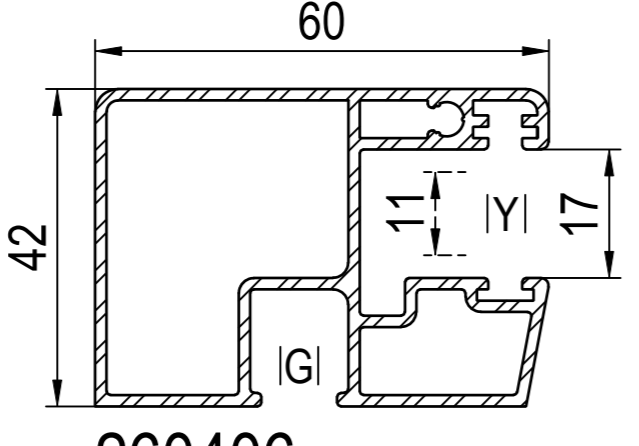
■ 190930 bl
BI 620038
CI 690030
GI 652923
YI 459930 -> max.-L Option
YI 459932 -> mini-L Standard



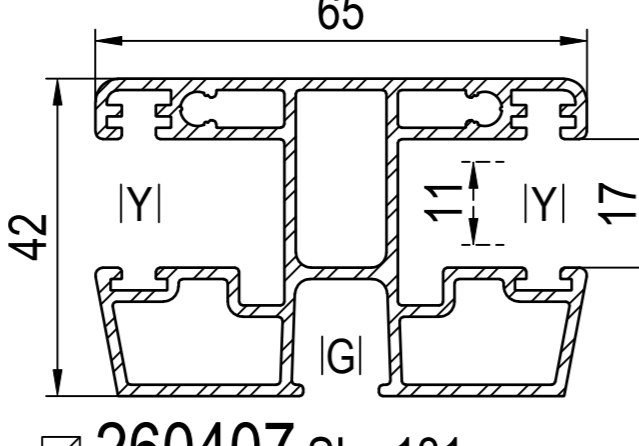
■ 190935 bl
BI 620038
CI 690035
GI 652923
YI 459930 -> max.-L Option
YI 459932 -> mini-L Standard

aluminium

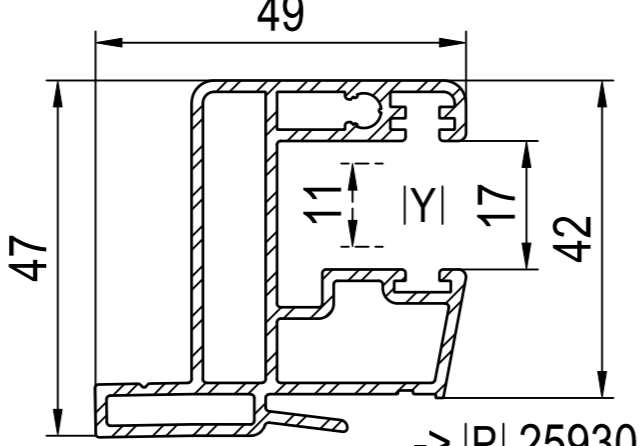
IRI Aluminium roller shutter guides
without brush seals



■ 260406 SL 100mm
BI 620038 AU 333mm
CI - GU 579mm
GI 659923
YI 459930 -> max.-L
YI 459932 -> mini-L



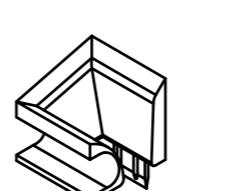
■ 260407 SL 131mm
BI 620038 AU 435mm
CI - GU 715mm
GI 659923
YI 459930 -> max.-L
YI 459932 -> mini-L



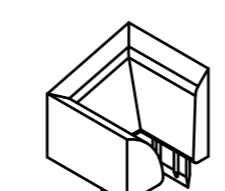
■ 259305 -> IPI 259304
-> IPI 259404
-> IPI aluskin -> IPI 289304
BI 620038 SL 124mm
CI - AU 306mm
GI - GU 550mm
YI 459930 -> max.-L
YI 459932 -> mini-L

Accessories

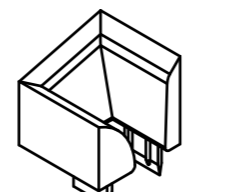
BI Inlet funnel



■ 620044
-> 120429, 120929, 190433
-> Roller shutter traverses 120230, 190274, ISI 257306

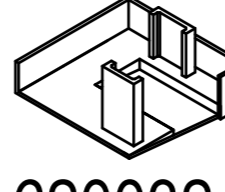


■ 620042
-> 120429, 120929, 190433

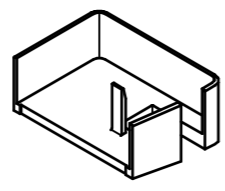


■ 620038
-> 190430, 190930, 190435, 190935
IRI 259305, 260406, 260407

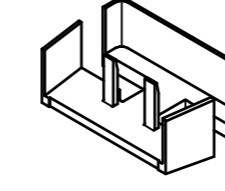
CI End caps



■ 620032
-> 120429, 120929




■ 690030
-> 190430, 190930




■ 690035
-> 190435, 190935

GI Nipple screw / Clip

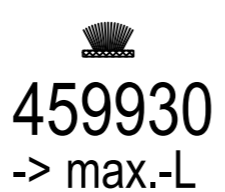


■ 652923
-> uPVC
-> 120429, 120929, 190430, 190930, 190433, 190435, 190935




■ 659923
-> aluminium
IRI 260406, 260407

YI Brush seals



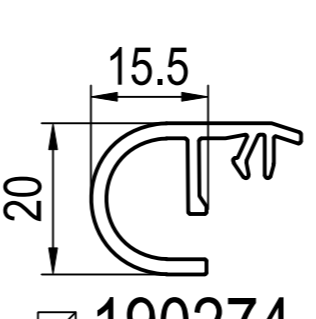
■ 459930 bl
-> max.-L
-> 120429, 120929, 190430, 190930, 190433, 190435, 190935
IRI 259305, 260406, 260407



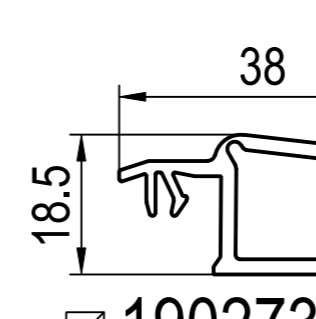
■ 459932 bl
-> mini-L
-> 120429, 120929, 190430, 190930, 190433, 190435, 190935
IRI 259305, 260406, 260407

Roller shutter

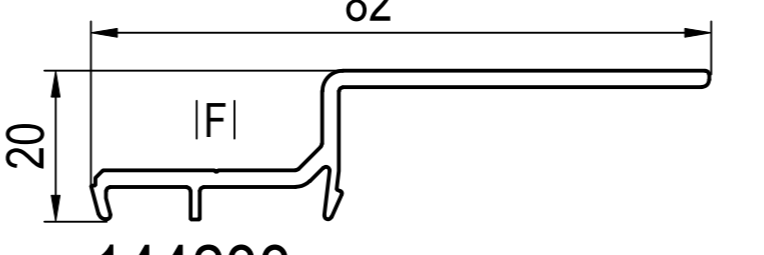
Roller shutter traverses



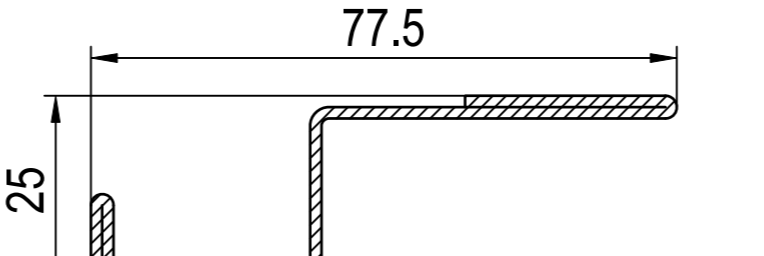
■ 190274



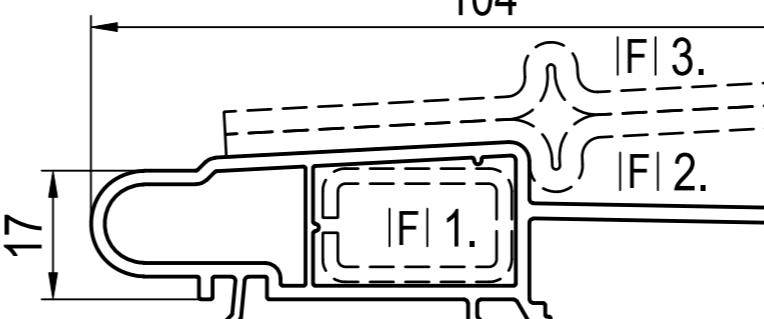
■ 190273



■ 144233
IFI 249234



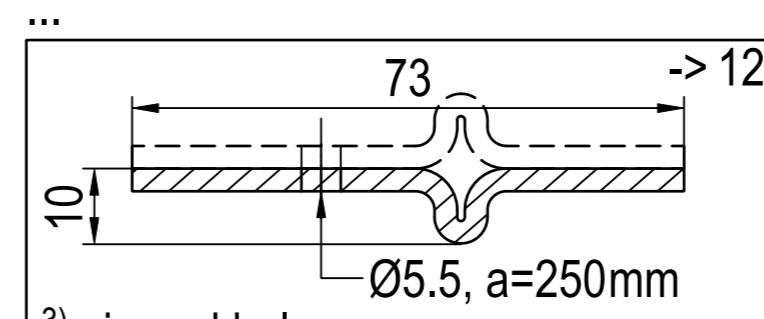
■ 249234 s=1.5mm, lx=12.6cm⁴



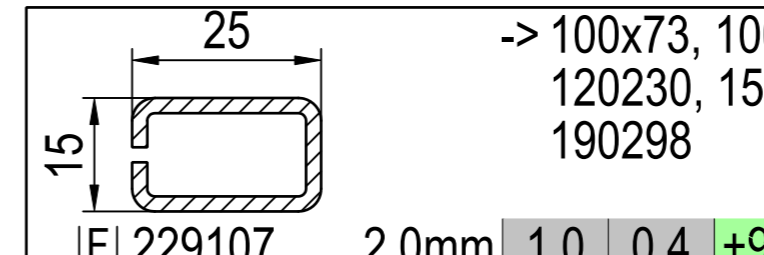
■ 120230
IFI 1. 229107 s=2.0mm lx=1.0cm⁴
2. 229010 s=3.0mm lx=9.9cm⁴
3. 2x 229010 s=3.0mm, lx=19.7cm⁴

Accessories

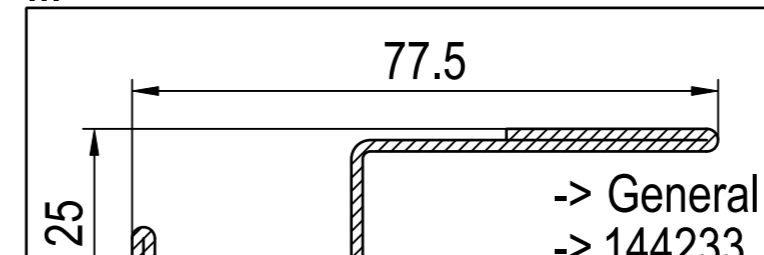
IFI Reinforcements s lx ly



■ 120230
Ø5.5, a=250mm
3) pierced hole
IFI 229010³⁾ 3.0mm 9.9 0.1
IFI 229010³⁾ 2x 3.0mm 19.7 0.2



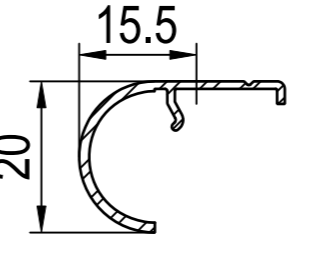
■ 229107 2.0mm 1.0 0.4 +90°



■ 249234 1.5mm 12.6 2.0
-> General
-> 144233

see plan: Reinforcements

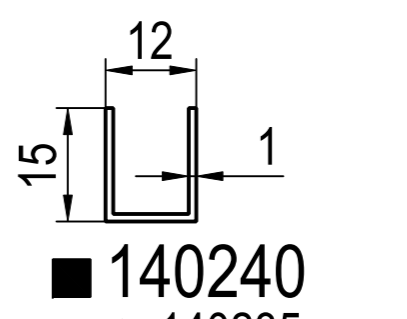
ISI Aluminium profiles



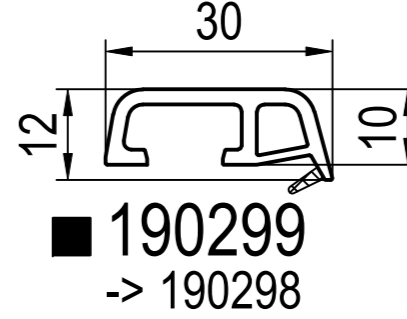
■ 257306
-> IPI aluskin
SL --- mm
AU 111mm

Renovation box

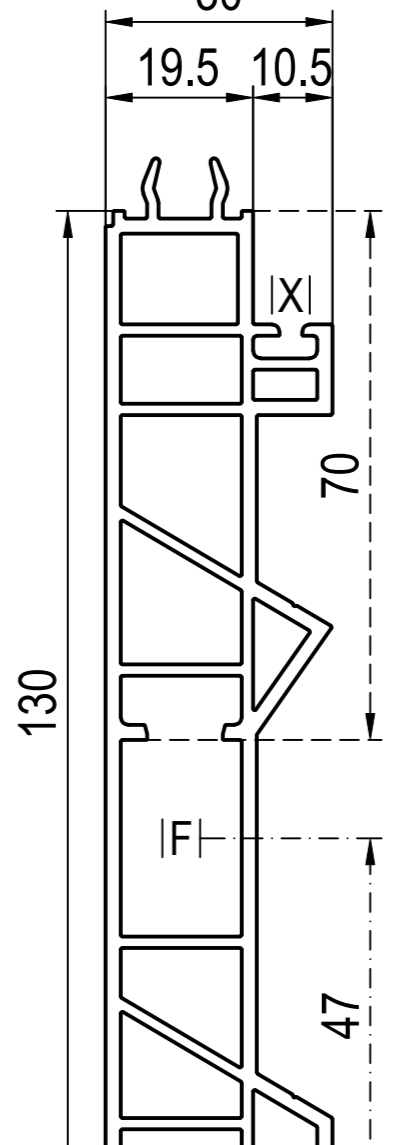
Renovation box



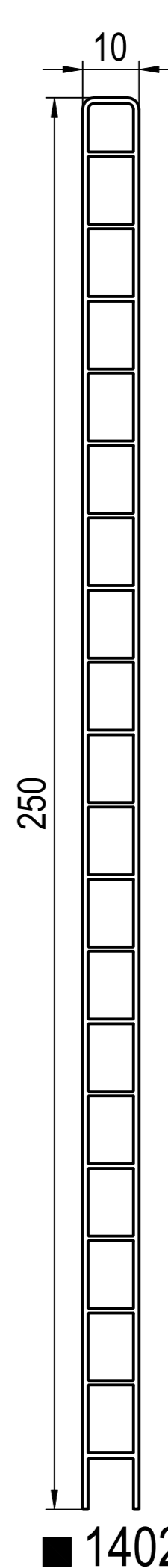
■ 140240
-> 140235



■ 190299
-> 190298



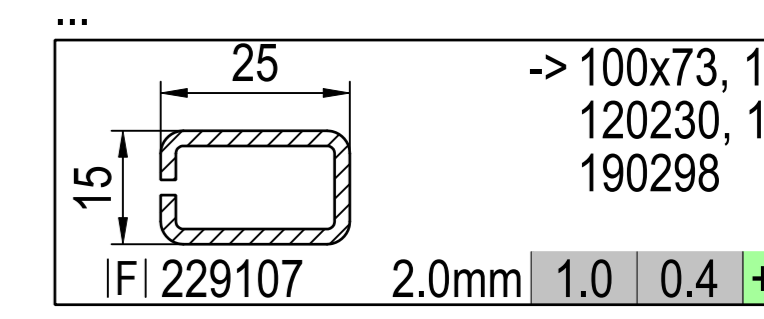
■ 190298
IFI 229107
IXI 428320



■ 140235

Accessories

IFI Reinforcements s lx ly



■ 229107 2.0mm 1.0 0.4 +90°
-> 100x73, 100x78, 120230, 150x65, 190298

see plan: Reinforcements

IXI Gaskets



■ 429320 bl
-> 190298

- not laminated
- laminated
- foam inside -> □

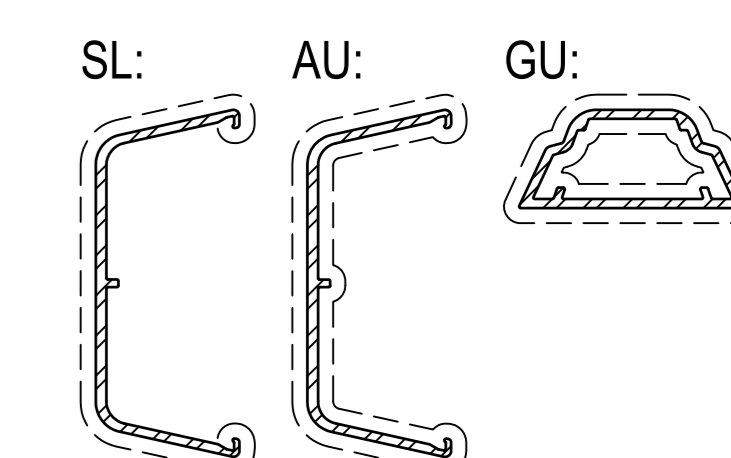
IPI aluskin Aluminium shells

-> for

Roller shutter slats
mini-L ~ 8x37mm
max.-L ~ 14x52mm

Brush seals
bl black

SL visible length
AU exterior perimeter
GU overall perimeter



IPI aluskin Aluminium shells

IPI -> Frame
IDEAL 4000 / 5000

IDEAL 4000 / 5000: 249312 (CL) 2, 249313 (CL) 2, 249314 (CL) 2, 259304 (CL) 2
 IDEAL 5000: 259310 (CL) 2, 259311 (CL) 2
 IDEAL 7000: 279402 (CL) 2, 279381 (CL) 2
 IDEAL 7000 / 8000: 289313 (CL) 2, 289304 (CL) 2
 IDEAL 8000: 289314 (CL) 2

IPI -> Sash
IDEAL 4000

IPI -> Mullion / Transoms
IDEAL 4000 / 5000

IPI -> False mullion sash / False mullion profiles
IDEAL 4000

IDEAL 4000 Sash: 249424 (CL) 2, 249450 (CL) 2, 249428 (CL) 2
 IDEAL 5000 Sash: 259424 (CL) 2, 259450 (CL) 2, 259430 (CL) 2
 IDEAL 7000 Sash: 279420 (CL) 2, 279430 (CL) 2, 279433 (CL) 2
 IDEAL 8000 Sash: 289424 (CL) 2, 289420 (CL) 2, 289430 (CL) 2, 289326 (CL) 1
 IDEAL 4000/5000 Mullion: 249343 (CL), 249341 (CL)
 IDEAL 7000/8000 Mullion: 289343 (CL), 289341 (CL), 289346 (CL)
 IDEAL 4000 False Mullion: 249366 (CL), 249365 (CL), 259368 (CL)
 IDEAL 5000/8000 False Mullion: 249341 (CL), 259365 (CL), 279364 (CL)
 IDEAL 8000 False Mullion: 289489 (CL), 289369 (CL)

1) not laminated
 2) laminated
 SL visible length
 AU exterior perimeter
 GU overall perimeter
 (CL) Classic-line
 (SL) Soft-line
 bl black
 pw papyrus-white
 gn green
 + IPI see plan: energeto 5000 view

Additional Profiles

IPI -> Extension profile

IPI -> Couplings

Couplings -> IPI

IPI -> Exterior window sills

RI Aluminium roller shutter guides + Accessories see plan

SI Aluminium profiles + Accessories see plan

TI Aluminium weather bar

GI Nipple screw / Clip

IXI Gaskets

Extension profiles: 249335 (CL) 2, 249360 (CL) 2, 249310 (CL) 2
 Couplings: 249448 (CL), 120224, 645050 gn, 642025 bl
 Exterior window sills: 249449 aluminium
 Roller shutter guides: 260406, 260407, 259305
 Aluminium profiles: 229080, 249301, 259308, 270044, 270045, 279044, 279045, 289210, 289211, 229246, 257306
 Weather bar: 259082 (CL), 659923
 Nipple screw / Clip: 64930, 640951
 Gaskets: 449140 bl, 447140 pw, 449142 bl, 449141 bl, 447141 pw, 449142 pw

01	FRONT PAGE
02	aluplast 1/2
03	aluplast 2/2
04	energeto® 8000 / IDEAL 8000®
new	+ 180x040000098, 180x050000098, 259105, 259106, 259107, 289021, 447042, 449042, 646265, 646266
removed	- 180x04, 180x05, 180x47, 239019, 239020, 249025, 259002, 259025, 650018, 650019, 680319, 689147, 689149
modified	~ P(229112, 229113, 229121, 620301) ~ 180x26, 180x69 X(080x04, 080x05, 180x44)
05	energeto® 7000 / IDEAL 7000®
new	+ 070x20, 170x020000098, 170x31, 259105, 259106, 259107, 289021, 447042, 449042, 646265, 646266
removed	- P(650295)
modified	~ 170x02 ~ 070x03, 170x03 X(170x03, 170x33, 170x35, 170x36, 170x39, 170x81)
06	energeto® 5000 / IDEAL 5000®
new	+ 140x48, 150x030000098, 150x43, 259105, 259106, 259107, 289021, 447042, 449042, 646265, 646266, 647146, 647148
removed	- P(259043, 259044, 650295)
modified	~ 150x03, 150x44, 239019, 239020, 259326, 259369, 640311, 647105, 647246, 649101, 649131, 650018, 650019 P(229102, 229103, 229112, 229113, 229121, 249019, 259010, 259011) ~ 140x41, 140x45, 140x46, 140x47 X(050x03, 050x04, 140x46, 150x02, 150x43)
07	energeto® 4000 / IDEAL 4000®
new	+ 140x070000098, 140x27, 140x29, 140x48, 140x74, 140x78, 249017, 249046, 249074, 249078, 2494330000098, 259105, 259106, 259107, 289021, 447042, 449042, 646265, 646266, 647146, 647148
removed	- P(259020, 259021, 259026, 650295, 680250, 685251)
modified	~ 110x97, 140x07, 140x30, 140x31, 140x76, 140x77, 249433, 640311, 647105, 647246, 649101, 649131 P(249019, 650295) ~ 140x01, 140x20, 140x33, 140x41, 140x45, 140x46, 140x47 D(140x12, 140x14, 14x16, 140x18, 140x19), X(040x07, 140x00, 140x03, 140x07, 140x08, 140x12, 140x14, 140x16, 140x18, 140x19, 140x46, 140x81, 140x91)
08	IDEAL 2000®
new	+ 110x10, 120x300000096, 120x310000096, 140x74, 140x78, 249046, 646265, 646266, 647146
removed	- P(140x46, 229114, 229115, 647101, 647102, 647131, 647132, 649101, 649131)
modified	~ 110x97, 120x30, 120x31, 120x33, 120x35, 140x76, 140x77, 259019, 640311, 649101, 649131 P(229005, 229125, 229126, 229129, 229131, 627107) ~ 140x47 D(120x26, 120x86), X(140x46)
09	energeto® 5000 view
new	+ 150x43, 429250, 447042, 449042
removed	- P(259043, 259044, 259305, 620016)
modified	~ 150x44 P(209391, 229102, 229103, 249312, 249313, 249314, 259304, 259311, 279402, 289304, 289313, 289314, 640046) ~ 427334, 429334 D(150x80, 150380), Mea Culpa(150x43/150x44)
10	lift-slide Lift-and-slide door
new	+ 429250, 477025, 479025, 277105, 679390
removed	- 447980, 449980
modified	~ 427334, 429334, 677101, 679141 X(170x81)
11	smart-slide Sliding window
new	+ 140x46, 150x43, 207284, 249046, 249448, 407291, 409284, 409291, 429250, 447042, 449042, 477025, 479025, 646265, 646266, 647146
removed	- P(190231, 249346)
modified	~ 150x44, 447980, 449980, 640311, 649101, 649131 P(249312, 249313, 249314, 259304, 259403, 259404, 279402, 289304, 289313, 289314, 459952) ~ 140x41, 140x45, 207282, 207291, 207295, 207296, 642262, 655251 X(140x46)
12	multi-slide Sliding window
new	+ 150x43, 429250, 477025, 479025, 646265, 646266
removed	- 100x66, 100x920000096, 447980, 449980
modified	~ P(627107, 640033, 640034, 640035, 642261, 642262, 642263, 646265, 646266, 650250) ~ 100098, 642262

13	sliding fly screen / mono-slide / easy-slide Sliding window
new	+ 429250
removed	- 100x66, 209066, 209067, 259019, 429333, 620339, 629342, 629343
modified	~ X(100x72, 100x74), Mea Culpa(-409076 +409065)
14	GLAZING BEADS
new	+ 120x300000096, 120x310000096, 140x27, 140x46, 140x48, 140831, 140861, 477025, 479025
removed	- 140154, 140654, 140684, 140854, 140884, 447980, 449980, 180x47, 650018, 650019
modified	~ 120132, 120146, 120632, 120646, 120662, 120676, 120832, 120846, 120862, 120876, 130154, 130654, 130684, 130754, 130784, 130854, 130884, 140631, 140661
15	ADDITIONAL PROFILES 1/4 General
new	+ 249301, 259308, 429250, 600292, 650932
removed	- 659932
modified	~ 427334, 429334
16	ADDITIONAL PROFILES 2/4 Extensions Couplings Structural profiles
new	+ 249448, 270044, 270045, 279044, 279045, 447042, 447140, 447141, 449042, 449141, 682331
removed	- P(229010, 654930)
modified	~ 640330, 640332, 640334 P(249312, 249313, 249314, 259304, 259403, 259404, 279402, 289304, 289313, 289314, 429320) ~ 120240, 622902, 682335
17	ADDITIONAL PROFILES 3/4 Exterior window sills Interior window sills Frames
modified	~ 140238
18	ADDITIONAL PROFILES 4/4 Rolling shutter slats Roller shutter guides Roller shutter
new	+ 257306
removed	- P(259404) - 259306
19	ACCESSORIES IDEAL 2000 - 8000®
new	+ 070x20, 120x35, 140x27, 140x46, 140x48, 140x74, 140x78, 150x43, 287062, 447042, 449042, 470057, 477025, 479025, 479057, 480057, 489057, 646265, 646266, 647146, 647148, 687350, 689350
removed	- P(170x20, 690226, 690227)
modified	~ 140x76, 140x77, 150x44, 180x47, 447980, 449980, 640311, 647105, 647246, 649101, 649131, 650018, 650019, 680319, 680350, 680901, 689147, 689149 P(140x27, 150x20, 150x22, 150x26, 150x27, 170x20, 180x20, 180x27) ~ 227300, 287301, 655251, 677101, 677142, 679141, 687102, 687131
20	ALUMINIUM SHELLS aluskin IDEAL 4000 - 8000®
new	+ 070x20, 150x43, 249301, 2494330000098, 249448, 257306, 259308, 270044, 270045, 279044, 279045, 447140, 447141, 449141, 449142
removed	- 140x30, 150x44, 180x47, 249433, 249460, 259306, 259326, 259369
modified	~ P(150x26, 150x69) ~ 070x03, 140x07, 140x20, 140x33, 140x41, 140x45, 140x46, 150x03, 170x02, 170x03, 180x04, 180x05, 180x26, 180x69, 249450, 289430
21	REINFORCEMENTS
new	+ 249017, 249046, 249074, 249078, 259105, 259106, 259107, 279053, 279054, 279055, 289021
removed	- 209066, 209067, 239019, 239020, 249013, 249025, 249031, 259002, 259019, 259025
modified	~ 229058, 622902, 682335
22	TABLE OF CONTENT

D(...) laminated
P(...) Plan
X(...) Gaskets